



CENTURIONPRO

HEMP & CANNABIS HARVESTING SOLUTIONS



OWNERS MANUAL

XL TRIMMERS





IMPORTANT SAFETY INFORMATION

CENTURIONPRO SOLUTIONS: XL INDUSTRIAL TRIMMING SYSTEM

The XL Trimmers are high-speed trimming systems, requiring that specific safety precautions are practiced during operation to reduce the risk of personal injury. Improper use of The XL Trimmers, or any CenturionPro product, may cause serious or fatal injury. Please ensure you read the operations manual and warning notes before using the XL Trimmers.

**DO NOT LEND OUT OR RENT YOUR XL TRIMMER WITHOUT THIS OPERATING MANUAL.
A FIRST TIME USER SHOULD OBTAIN PROPER INSTRUCTION PRIOR TO USE.**

GENERAL

- Do not move, disassemble, clean or inspect the trimmer while the power is still connected to the machine.
- Replacement parts are specific to The XL Trimmers and must be purchased from an authorized dealer only. Substituting factory parts with non-approved third-party replacements may result in damage to the machine or bodily harm.
- Keep all individuals a safe distance from the work area. Do not operate the machine around children.
- Do not remove safety labels. Replace any and all labels if they become damaged or obscured.

CONNECTION

- As with home appliances, The XL Trimmers must be used in connection with a properly grounded receptacle.
- Never plug in or power up your trimming machine if the protective shrouds are removed.
- Do not use extension cords over 8m (25ft) in length to power the XL Trimmers.

OPERATION

- The initial set up will show assembly instructions to unpack and set-up your machine.
- Your bed bar blades have been factory set to cut perfectly. Please do not adjust your blades until it is time to clean the machine. Also, please watch the video tutorial located on our website on how to adjust the blades before attempting.
- Safety glasses should be worn at all times while operating The XL Trimmers.
- Do not operate any trimming machine while tired or under the influence of medication, drugs or alcohol.
- Do not put anything other than plant material into the tumbler. Doing so may cause damage to the tumbler, the machine or result in bodily harm.
- Operate the trimmer in a well ventilated area in order to prevent overheating.

MAINTENANCE

- Never leave an XL Trimmer system running unattended.
- Never conduct maintenance or cleaning while the machine is plugged in.
- Do not modify or adapt any part of the trimmer or its accessories. Doing so may cause irreversible damage to the machine or result in bodily harm.

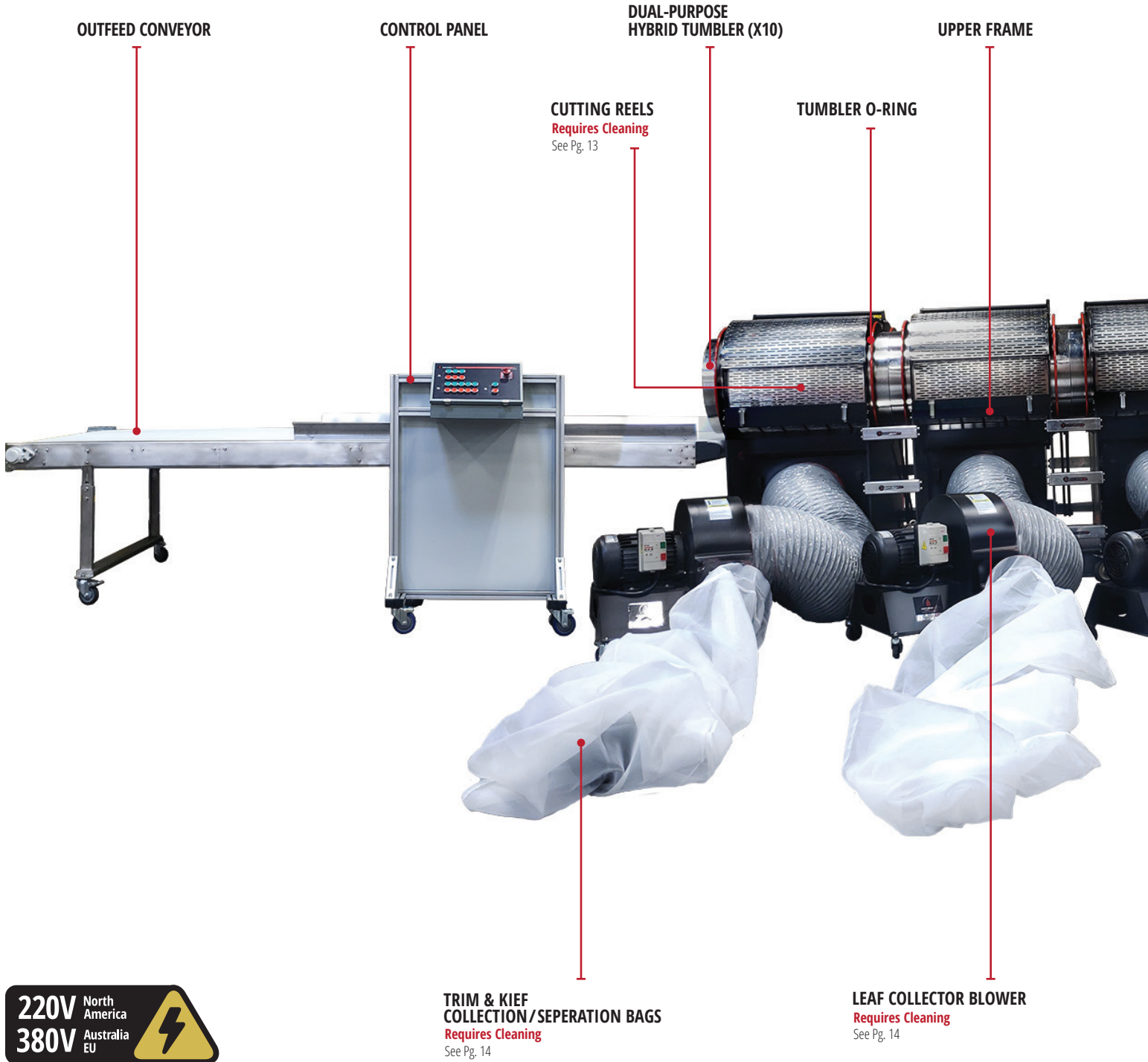


TABLE OF CONTENTS

IMPORTANT SAFETY INFORMATION	2
TABLE OF CONTENTS	3
COMPONENT OVERVIEW	4
CONTROL PANEL OVERVIEW	6
MACHINE ASSEMBLY	8
LEAF BLOWER + COLLECTOR BAG ASSEMBLY	9
COVER ASSEMBLY	10
MEDICAL GRADE CONVEYOR SYSTEMS	11
RAIL JACK SYSTEM	11
HOPPER ASSEMBLY - MEDICAL GRADE	12
CLEANING & MAINTENANCE	13
LEAF COLLECTOR CLEANING	14
MACHINE MAINTENANCE	15
TRIM BOTH WET & DRY	15
TROUBLESHOOTING	16
TRIPLE BAG KIEF COLLECTION SYSTEM	18
FREQUENTLY ASKED QUESTIONS	19
ADDITIONAL ASSISTANCE	19
SPECIFICATIONS	20
WARRANTY	21

TOOL REQUIREMENTS

AMOUNT	SIZE	TOOL ITEM
1 x	#2	PHILLIPS SCREWDRIVER
1 x	3/32"	T-Handle Allen Wrench
1 x	5/32"	T-Handle Allen Wrench
1 x	1/8"	T-Handle Allen Wrench
1 x	3/16"	T-Handle Allen Wrench
1 x	3/8"	Wrench



OUTFEED CONVEYOR

CONTROL PANEL

**DUAL-PURPOSE
HYBRID TUMBLER (X10)**

UPPER FRAME

CUTTING REELS
Requires Cleaning
See Pg. 13

TUMBLER O-RING

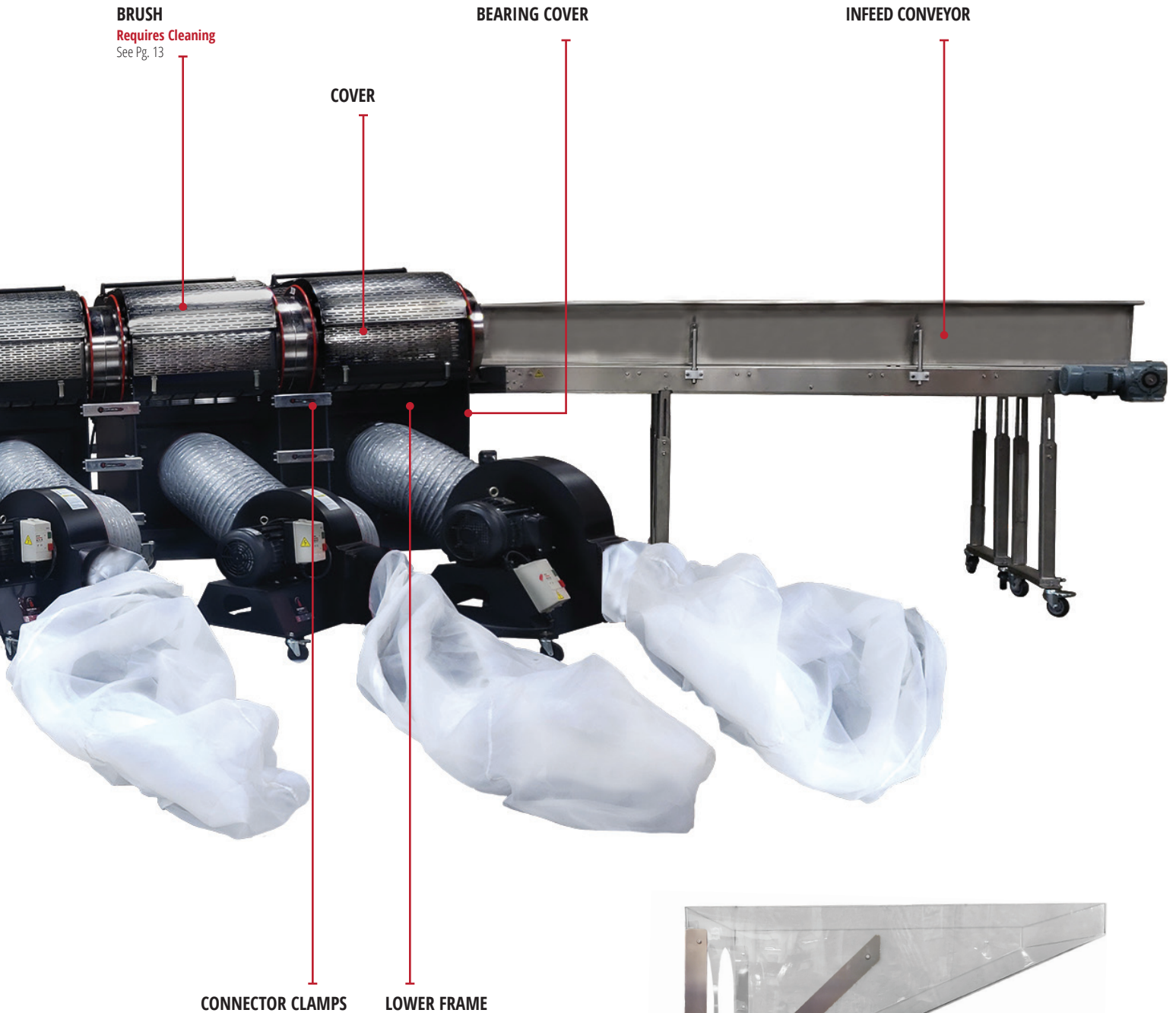
**TRIM & KIEF
COLLECTION/SEPERATION BAGS**
Requires Cleaning
See Pg. 14

LEAF COLLECTOR BLOWER
Requires Cleaning
See Pg. 14



Note:
Images may not reflect exact product - Based on XL 10.0 prototype images.

COMPONENT OVERVIEW



**GMP COMPLIANT /
FOOD GRADE HOPPER**
XL TRIMMERS COME STANDARD
WITH A FOOD GRADE HOPPER
Requires Installation:
See Pg. 12

Note:
Images may not reflect exact product - Based on XL 10.0 prototype images.



CONTROL CONSOLE



**CONTROL PANEL:
FRONT**



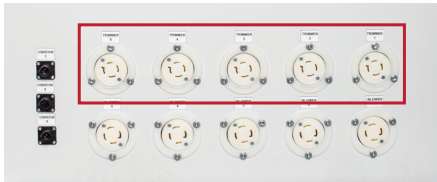
**CONTROL PANEL:
BACK**



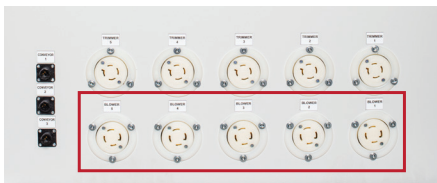
Note:
Images may not reflect exact product - Based on XL 10.0 prototype images.

CONTROL PANEL OVERVIEW

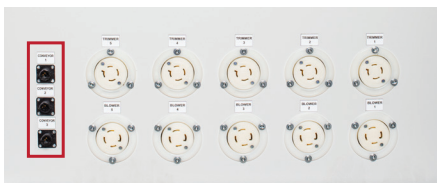
CONNECT: TRIMMERS x 5



CONNECT: BLOWERS x 5



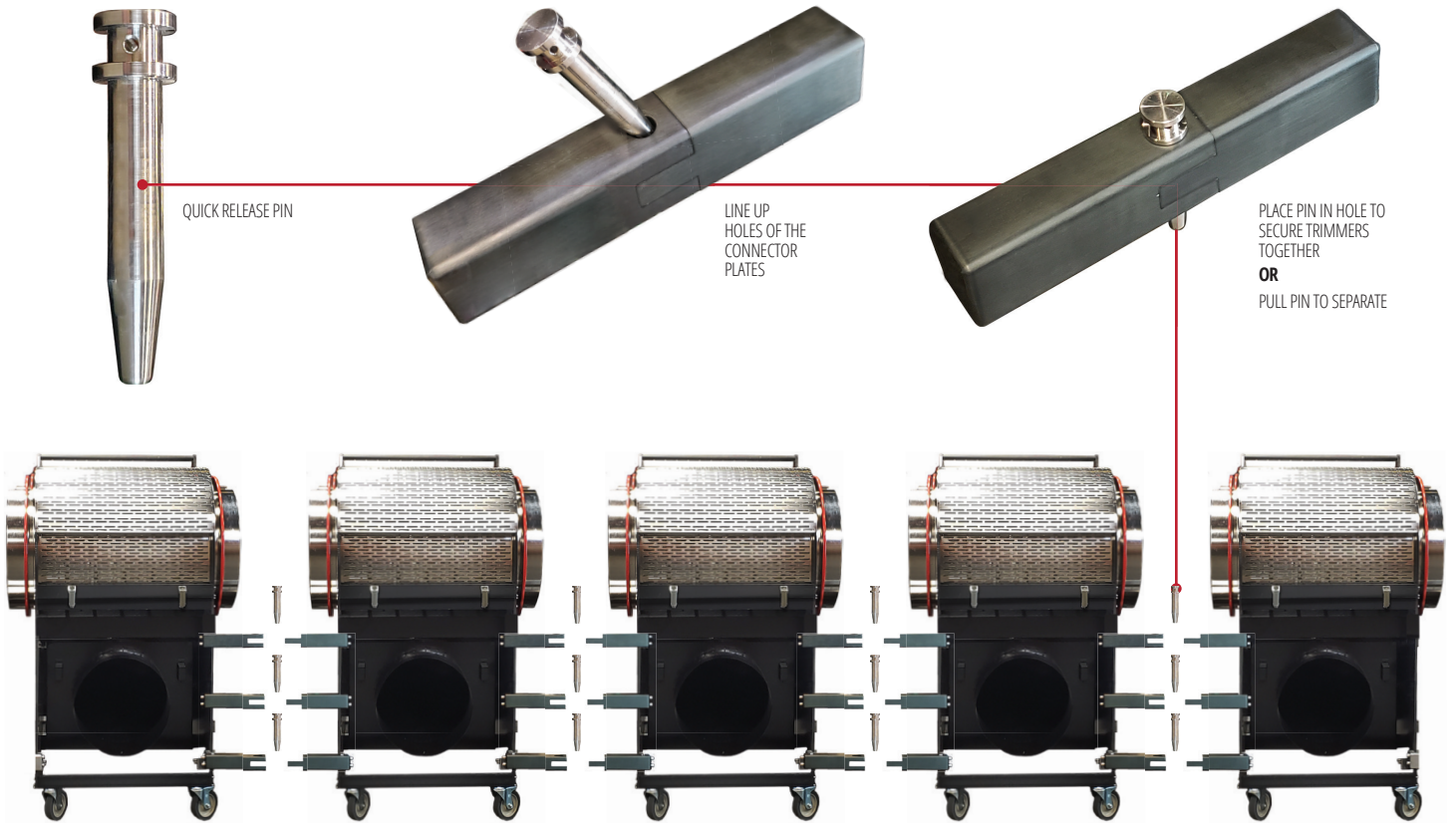
CONNECT: CONVEYORS x 3



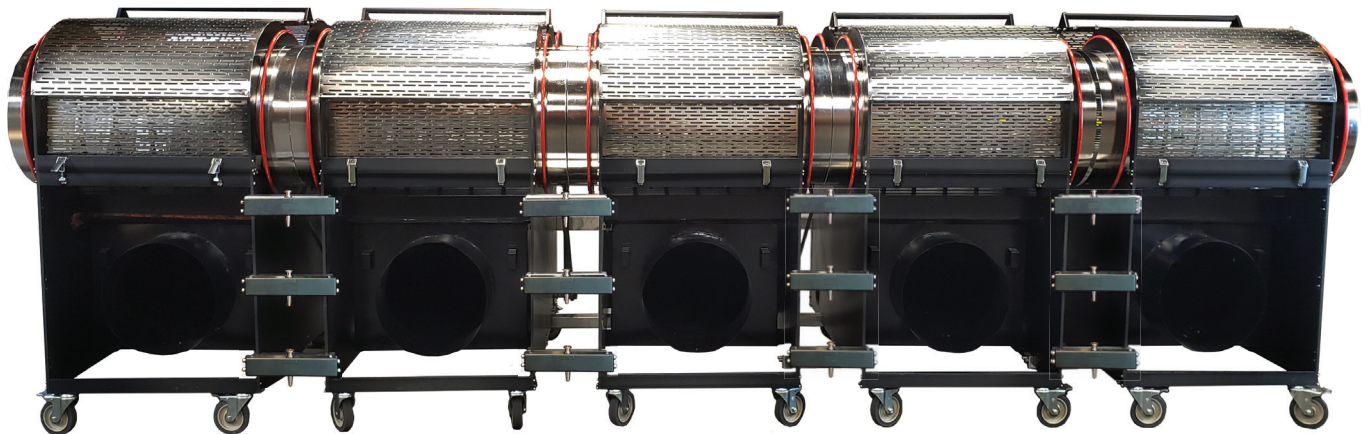
Note:
Images may not reflect exact product - Based on XL 10.0 prototype images.

STEP 1:
ATTACH INDIVIDUAL TRIMMERS x 5

- Use quick release pin system to connect all 5 trimmer units together



XL TRIMMER SYSTEM SEPARATED



XL TRIMMER SYSTEM CONNECTED

Note:
Images may not reflect exact product - Based on XL 10.0 prototype images.

LEAF BLOWER + COLLECTOR BAG ASSEMBLY

STEP 3: INSTALL DUCT TUBES TO TRIMMER EXHAUST x 5

Note: Use 16" hose clamps to secure tubes.



STEP 4: INSTALL DUCT TUBES TO LEAF BLOWERS x 5

Note: Use 16" hose clamps to secure tubes.



STEP 5: ATTACH BAG SYSTEM TO LEAF COLLECTOR

- Secure with 16" hose clamp
- Requires cleaning (pg. 14)



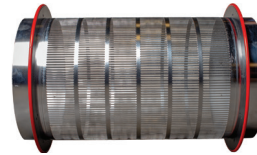
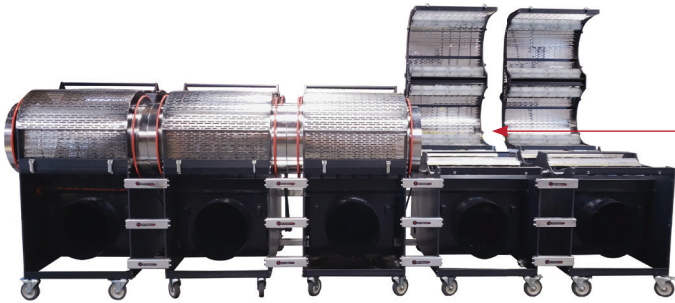
STEP 6: ALIGN LEAF COLLECTOR SYSTEM IN THE SAME DIRECTION FOR OPTIMAL SUCTION PERFORMANCE.



Note:
Images may not reflect exact product - Based on XL 10.0 prototype images.

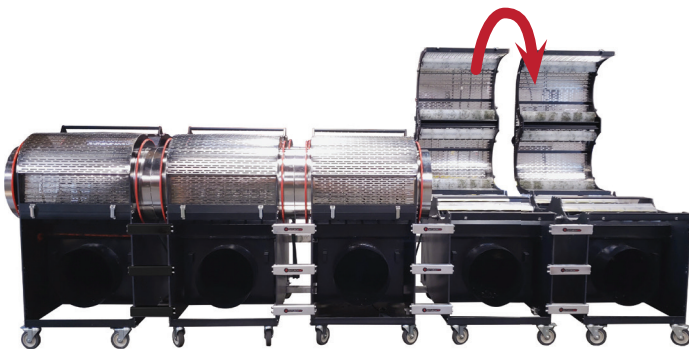


COVER ASSEMBLY



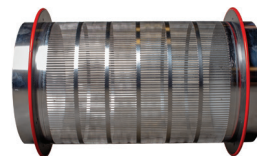
XL DUAL-PURPOSE
HYBRID TUMBLER

STEP 1:
ALIGN TUMBLER TO PULLEY
GROOVES AND ENSURE THE
TUMBLERS ARE END TO END.



INDUSTRIAL LATCH CLOSURES

STEP 2:
CLOSE UPPER FRAME COWL
DOOR AND SECURE WITH
FRAME LATCHES.



XL DUAL-PURPOSE
HYBRID TUMBLER

STEP 3:
ALIGN TUMBLER TO PULLEY
GROOVES AND ENSURE THE
TUMBLERS ARE END TO END.



INDUSTRIAL LATCH CLOSURES

STEP 4:
CLOSE UPPER FRAME COWL
DOOR AND SECURE WITH
FRAME LATCHES.

Note:
Images may not reflect exact product - Based on XL 10.0 prototype images.

MEDICAL GRADE CONVEYOR SYSTEMS

INFEEED CONVEYOR: FULL CUSTOM SPEED CONTROL SYSTEM



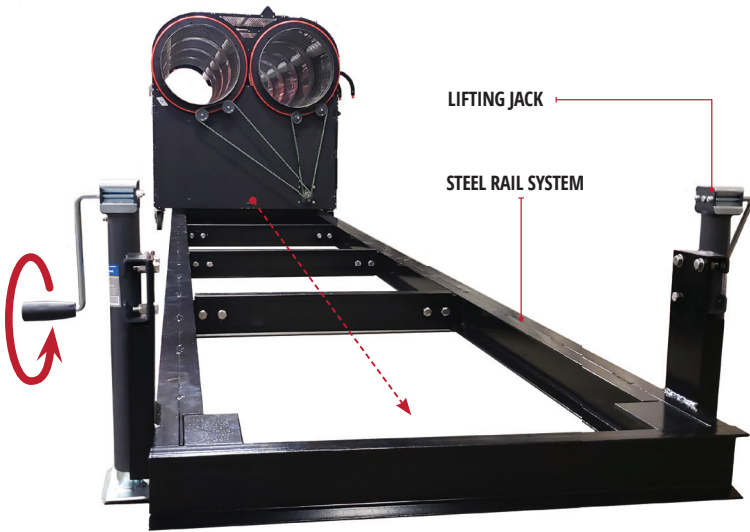
QUALITY CONTROL CONVEYOR: FULL CUSTOM SPEED CONTROL SYSTEM



RAIL JACK SYSTEM

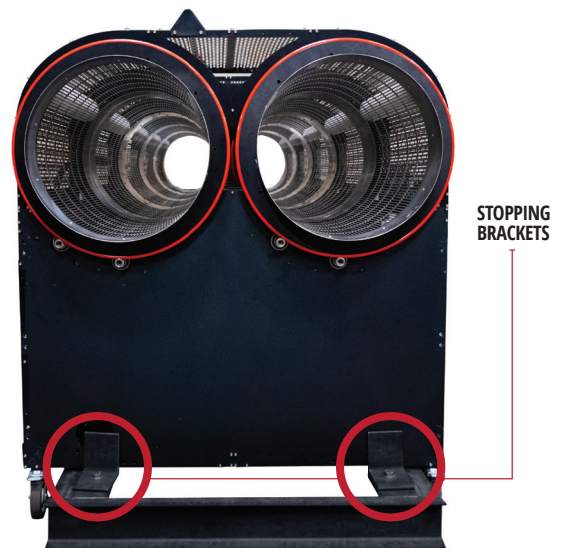
STEP 1: SLIDE XL TRIMMER ONTO STEEL RAIL SYSTEM

- Adjust height of trimmer using jack stands for optimal performance and flow of product.



STEP 2: LOCK XL TRIMMER INTO PLACE ONTO STEEL RAIL SYSTEM

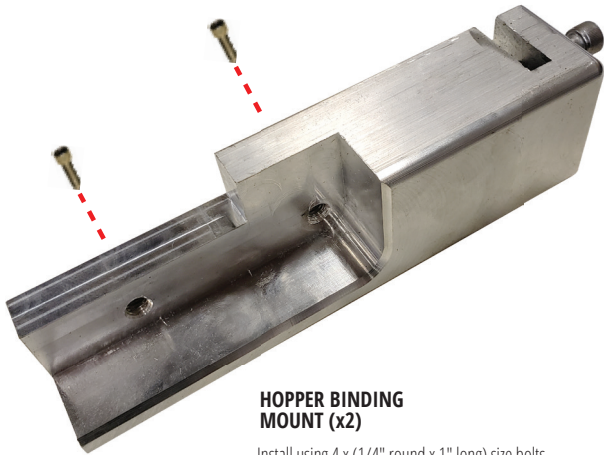
- Once desired angle has been set, bolt on 2 Stopping Brackets at the end of the rail to secure the XL Trimmer in place.
- Secure with 1/2" round - 1" long bolt



Note:
Images may not reflect exact product - Based on XL 10.0 prototype images.

**STEP 1:
ATTACH TWO BRACKETS TO TRIMMER**

Install using 8 bolts
(2 sets of bolts for each side)



HOPPER BINDING MOUNT (x2)

Install using 4 x (1/4" round x 1" long) size bolts
- 2 bolts attach to Trimmer Frame
- 2 bolts attach to Hopper Frame Arms



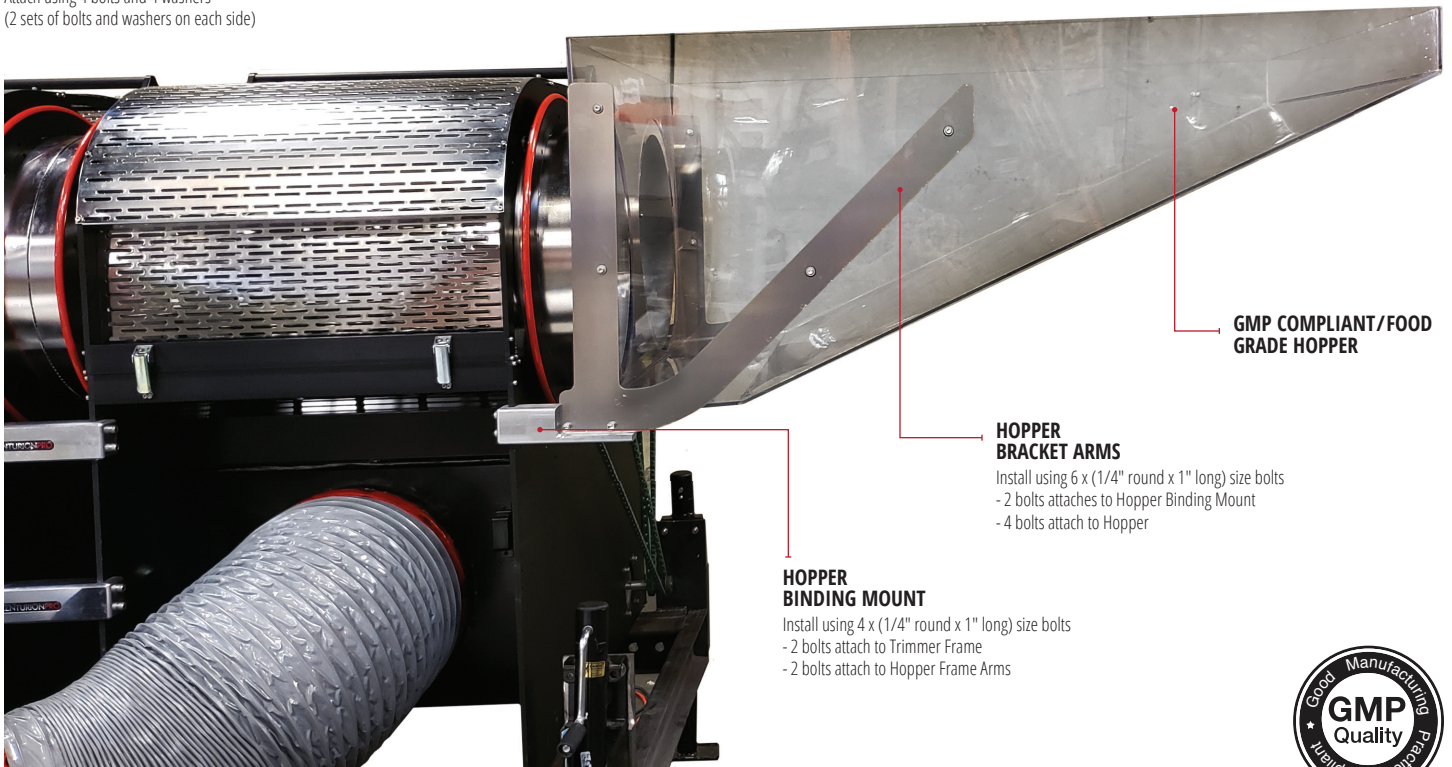
INSIDE HOPPER BRACKET



OUTSIDE HOPPER BRACKET

**STEP 2:
ATTACH HOPPER TO ATTACHED BRACKETS**

Attach using 4 bolts and 4 washers
(2 sets of bolts and washers on each side)



GMP COMPLIANT/FOOD GRADE HOPPER

HOPPER BRACKET ARMS

Install using 6 x (1/4" round x 1" long) size bolts
- 2 bolts attaches to Hopper Binding Mount
- 4 bolts attach to Hopper

HOPPER BINDING MOUNT

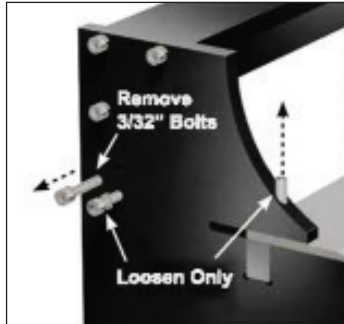
Install using 4 x (1/4" round x 1" long) size bolts
- 2 bolts attach to Trimmer Frame
- 2 bolts attach to Hopper Frame Arms



Note:
Images may not reflect exact product - Based on XL 10.0 prototype images.

BLADE REMOVAL

For optimal performance and life, the BLADE and the MAGNET BAR must be removed and cleaned every few hours of operation.



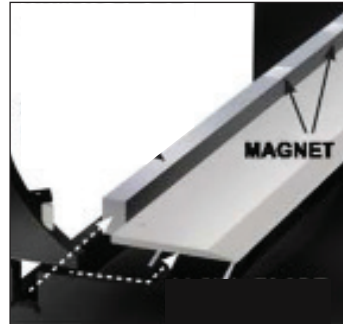
**STEP 1:
UNLOCK BLADE**

- Remove 3/32" bolt
- Loosen the surrounding set screws ONLY



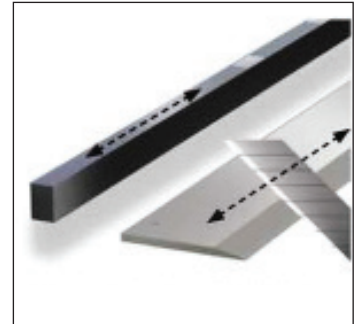
**STEP 2:
UNPIN BLADE**

- Pivot the pin up from the blade



**STEP 3:
BLADE & MAGNET REMOVAL**

- Carefully slide blade off magnets
- Carefully Remove bed bar blade



**STEP 4:
BLADE & MAGNET CLEANING**

- Clean blade and magnet bar with a utility knife.
- INSTALLATION IS REVERSE ORDER OF REMOVAL**



IMPORTANT NOTE:

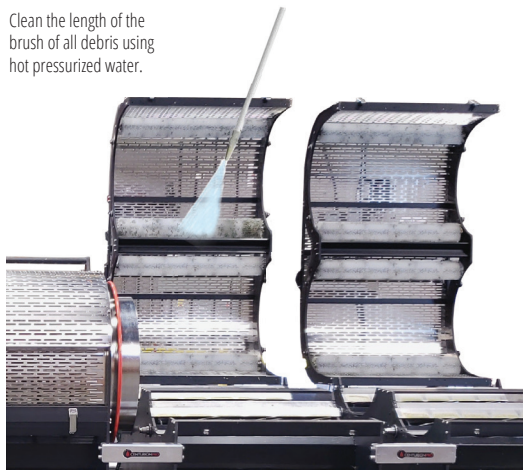
YOUR BED BAR BLADE HAS BEEN FACTORY SET TO CUT PERFECTLY. PLEASE DO NOT ALTER THE SETTINGS OF YOUR MACHINE. YOU MIGHT NOTICE SLIGHT CONTACT BETWEEN YOUR ROTATING CUTTING REEL AND THE FLAT BED BAR BLADE - THIS IS NORMAL.

CLEANING THE XL TRIMMER

For optimal performance and life, the components must be cleaned every 3 to 4 hours.

**STEP 1:
CLEAN BRUSH**

Clean the length of the brush of all debris using hot pressurized water.



**STEP 2:
CLEAN ELECTROPLISH TUMBLER**

Clean the length of the tumbler of all debris using hot pressurized water.



**STEP 3:
CLEAN CUTTING REEL & SHROUD**

Clean the length of the cutting reel and shroud of all debris using hot pressurized water.



IMPORTANT NOTE:

- Clean by spraying hot pressurized water: 1500 - 2000 psi
- Run the XL Trimmer empty of material for 15 mins after washing to allow components to dry

Note:
Images may not reflect exact product - Based on XL 10.0 prototype images.



LEAF COLLECTOR CLEANING

STEP 1: REMOVE COVER & IMPELLER FROM LEAF COLLECTOR

- Remove 8 screws from the side panel to uncover the leaf collector
- Remove the 13mm bolt & washer located in the middle of the fan blades
- When removing the blower impeller, use a pulling tool only.

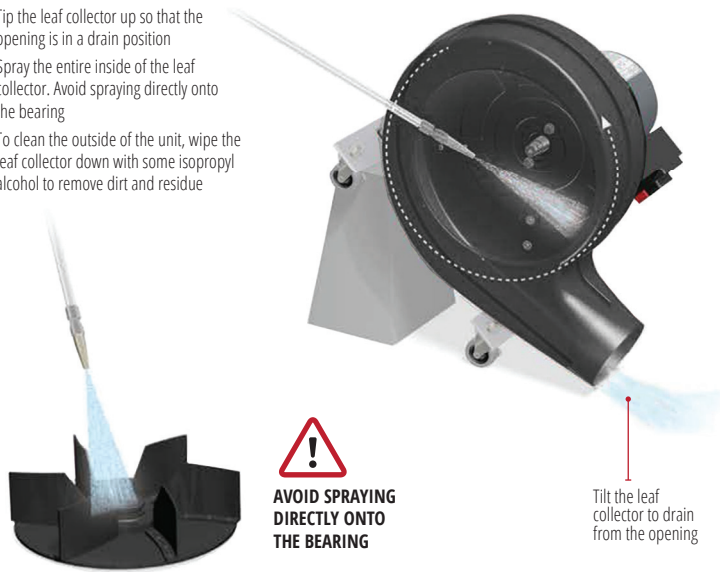


ONLY USE PULLING TOOL WHEN REMOVING THE BLOWER IMPELLER FOR CLEANING. CLEAN BLOWER EVERY 30-40 DAYS OF USE.



STEP 2: PRESSURE WASH IMPELLER & INTERIOR OF LEAF COLLECTOR

- Spray the impeller blades with your pressure washer using hot water
- Tip the leaf collector up so that the opening is in a drain position
- Spray the entire inside of the leaf collector. Avoid spraying directly onto the bearing
- To clean the outside of the unit, wipe the leaf collector down with some isopropyl alcohol to remove dirt and residue



STEP 3: CLEAN LEAF COLLECTOR BAGS

- Unzip all three bags to empty contents
- Turn leaf collector bags inside-out separately and pressure wash each bag
- Allow bags to dry

Black Mesh Bag White Filter Bag Outer Polyester Bag



****INSTALLATION IS REVERSE ORDER OF REMOVAL**

INSTRUCTIONS:

Clean with pressure-washing at 1500 - 2000 PSI, Hot Water, Fan Spray Setting. Run LEAF COLLECTOR for 15 minutes after washing, allowing components to dry.

**30
DAYS**

FOR OPTIMAL PERFORMANCE AND LIFE, THE LEAF COLLECTOR COMPONENTS MUST BE CLEANED EVERY 30 DAYS OF USE.



AVOID WATER CONTACT ON BEARINGS AND MOTOR.

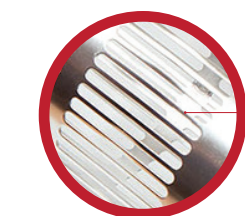
MACHINE MAINTENANCE

The XL Trimmers are precision machines. It is essential that they be operated and maintained with this in mind. The machine has been adjusted and tested by the manufacturer prior to shipping to ensure optimal performance. However, it is important to inspect the machine at initial start-up and after each use to ensure that no damage or plant material build-up has occurred and that the blades spin freely.

In addition, it is highly recommended to clean the machine at the end of every use. This ensures that the blades are kept lubricated and that resin does not build-up and affect performance. This is especially important if the machine has been stored for an extended period of time.

If optional Quantanium coating is chosen, the machine will not require any lubricants or sprays. The application of which will only damage or alter the final product and will not assist with the cutting process. In fact, it may hinder it. Cold water is recommended to spray on blades during harvest.

TRIM BOTH WET + DRY



**DUAL-PURPOSE
HYBRID
TUMBLER**

CENTURIONPRO DUAL-PURPOSE HYBRID TUMBLER

DESIGNED FOR BOTH WET + DRY TRIMMING

All CenturionPro trimming machines are specially designed to trim both wet and dry material better than any other machine on the market. Our Dual-Purpose Hybrid Tumbler has been extensively tested to outperform both the traditional wet tumbler when trimming wet and the traditional dry tumbler when trimming dry.

This CenturionPro innovation allows you to switch between wet and dry material with just a few small adjustments to your trimming system. This is a major benefit because you can purchase one machine and still have the capability to trim wet or dry flowers.

See our dry trimming tips below for more details.

TRIMMING DRY? HERE ARE SOME IMPORTANT TIPS!

- Begin by hanging the entire plant, leaving the leaf on. Starting with 30% humidity at 60-65 degrees Fahrenheit for 24 hours, raising the humidity to 50-60% for another five to six days.
- Next, carefully cut all your flowers off the main stocks of the plant, leaving only flowers and leaves in tact. Then, depending on the density of the flowers, it should be ready to run through the machine.
- The buds should be about 80-90% dry, which allow the fan leaf and sugar leaf to remain somewhat PLIABLE/BENDY, in a soft and flexible state. If the larger leaf is too dry and brittle (which makes it more difficult for the machine to pull this stiffer leaf through the slots of the drum, preventing a clean, sharp cut) raise the humidity up to 75% for about half a day to a full day. This, remarkably, softens up the unwanted leaf while returning almost no additional moisture to the main body of the buds.

CRITICAL:

IT IS CRITICAL FOR THE UNWANTED LEAVES TO BE **SOFT AND BENDY** FOR THIS MACHINE TO PERFORM A CLEAN PERFECT CUT. WE ALSO RECOMMEND USING A **HUMIDIFIER OR A WATER BOTTLE WITH A MISTING NOZZLE** TO RE-INTRODUCE A SMALL AMOUNT OF MOISTURE TO THE UNWANTED LEAVES BEFORE RUNNING THE FLOWERS THROUGH THE MACHINE.

NOTE 1:

THIS METHOD WILL ALLOW VIRTUALLY NO ADDITIONAL MOISTURE BACK TO THE INNER BUD/FLOWER. THE MOISTURE WILL ONLY SOFTEN UP THE OUTER LEAVES.

NOTE 2:

THE LEAVES MUST BE SOFT AND PLIABLE FOR THE DRY TRIMMER TO BE EFFECTIVE.

After running the buds through the machine the chances are they are ready to bag up! All that might be necessary is a quick test after the bag has been sealed by opening it back up to air them out a bit to achieve the perfect moisture content (curing process). You may prefer to run the machine with the plastic cover off, and diverter almost open (this varies depending on the density of the strain). Please note the machine operates best when the tumbler is 40-60% full. A huge bonus to the DRY trimming method is that the machine will require almost no periodic cleaning, as the tumblers and blades will not gum up and therefore not reduce performance. The main advantage of DRY trimming is said to be better preservation of all the strong natural aromas and flavours after the harvesting process is complete.

MONTHS OF WORK CAN BE RUINED IN A FEW HOURS AT THE END SO PLEASE BE PATIENT AND TAKE YOUR TIME WITH THE HARVESTING AND CURING PROCESS.

TROUBLESHOOTING



MY PRODUCT IS STUCK IN THE MIDDLE OF MY TUMBLER AND WILL NOT COME OUT THE OTHER END.

- 1) The tumbler should always be 40%-60% full. You should be feeding the tumbler every 30-60 seconds; this will ensure that new product entering the machine will help push out product that is trimmed. This constant flow of product will also help with your processing capacity. Infeed Conveyors will help with creating a constant flow of product.
- 2) You can also increase the downward slope of the machine. To do this, use the Rail Jack System instructions on pg. 11. Before turning the machine ensure that the machine is level and sturdy.
- 3) Try opening the Diverter fully and/or removing the outer bag on the trim collection system. This will increase the air flow and decrease the suction, allowing product to pass through quicker.



MY LEAF COLLECTOR IS NOT TURNING ON.

- 1) Ensure the correct voltage is being supplied as per your manual and never use an extension cord longer than 25 ft. Using an extension longer than 25 ft long will cause a drop in power being supplied to the leaf collector. This can cause the motor to compensate for the lost power, therefore over heat and eventually burn out.
- 2) Test your electrical current to make sure it is producing power. We recommend having a certified electrician set up the proper power supply as noted on pg. 20. This will ensure your power source is supplying the correct electricity. If you have not done this, have a certified electrician come and test your electrical current.
- 3) If you have tried all of the above, then your leaf collector's capacitors or electrical box may need to be replaced. Ensure that you have a certified electrician install the parts correctly. Also have them double check your power supply. If your power supply is inconsistent, the same problems will occur in the future.



MY TUMBLER IS SPINNING SLOWER THAN USUAL OR IS NOT SPINNING AT ALL.

- 1) You will need to take a link (or two) out of the belt. Use a pair of needle nose pliers to help you with this. When putting your tightened belt back on your machine it might be a little difficult. Use the video tutorial "Removing and Replacing the Belt" on our website to help you with this. Once the belt is tightened properly, the tumbler speed will resume back to normal.
- 2) Ensure that the tumbler is placed correctly in the grooves and there is no lubricant on the Tumbler O Rings (red o-rings on both sides of the tumbler). This will cause the tumbler to slip in one spot rather than make a full rotation.
- 3) Ensure your Cam Follower's O Rings are in tact. You should NEVER run your machine without these. Cam Followers help guide the tumbler, without these your tumbler and/or machine can incur damage.



THE LEAF COLLECTOR SUCTION SEEMS WEAK.

- 1) Ensure the correct voltage is being supplied as per your manual and never use an extension cord longer than 25 ft. Using an extension cord longer than 25 ft long will cause a drop in power being supplied to the leaf collector. This can cause the motor to compensate for the lost power, therefore over heat and eventually burn out.
- 2) Test your electrical current to make sure it is producing power. We recommend having a certified electrician set up the proper power supply as noted on pg. 20. This will ensure your power source is supplying the correct electricity. If you have not done this, have a certified electrician come and test your electrical current.
- 3) Ensure the leaf collector and surrounding parts are clean. Also ensure nothing is blocking the inlet or the outlet of the leaf collector. Often buildup of product around the openings of the blower can cause weak suction. Be sure to clean the Kief Collection System, Impeller and the inside of the blower. Refer to pg. 14 for cleaning instructions.



THE PRODUCT IS NOT COMING OUT TRIMMED.

- 1) First, ensure that your machine is clean. Clean the Bed Bar Blade (flat blade), top and underneath every 3-4 hours of use. The Reel Blade (rotary blade) should be cleaned every 6-8 hours of use. Think of the blades as a pair of scissors, if the blades are not clean the machine will not be able to do its job.
- 2) Secondly, ensure that the Bed Bar Blade is set close to the Reel Blade. The space between the two blades should be the same thickness as a single sheet of newspaper – essentially, they should be skimming. Please refer to the video tutorial "Adjusting the Blade" on our website on how to set the Bed Bar Blade accurately. Again, think of the blades as a pair of scissors, if the blades are too far away from each other they will not trim your product.
- 3) Lastly, ensure the suction from the Leaf Collector is working correctly. Make sure there are no air-leaks. Keep in mind that long extension cords result in a decrease in performance of the machine and its components.

MY MACHINE MOTOR IS HOT

- 1) Your machine may be overworking due to a voltage drop in your power supply. This can happen if you're using an extension cord that is too long or undersized. You can only use an extension cord with a maximum length of 25ft.
- 2) Use a voltage tester to test your electrical current to ensure you have the correct voltage. We recommend having a certified electrician to come in and make sure your power supply is consistent.
- 3) Having a motor on for an extended period can be the reason for overheating. Allow the motor to cool down by turning the machine off for an hour, every 5 hours of use.

**MY LEAF COLLECTOR IS MAKING A LOUD BANGING NOISE**

- 1) Ensure your blower is clean of debris and build up. Build up inside the blower and on the impeller can cause contact with the housing of the blower.
- 2) If cleaning the build up in your blower does not stop the noise, there may be a bend in your impeller. As such, you will need to purchase a new impeller to replace the one in your leaf collector. To remove the impeller use ONLY a pulling tool. Refer to pg. 14 for instructions on how to properly remove the impeller.

**THE CIRCUIT BREAKER KEEPS TRIPPING.**

- 1) This is caused by a cord that is too long or undersized. Your cord must be no more than 25ft long and the same gauge of thickness as the main cord.
- 2) Also, ensure the machine is not sharing a circuit with other devices and the correct size breaker is present. Circuit sharing can significantly decrease the power being supplied to the devices therefore causing the breaker to trip.
- 3) Test your electrical current to make sure it is producing consistent power. We recommend having a certified electrician set up the proper power supply as noted on pg. 15. This will ensure your power source is supplying the correct electricity. If you have not done this, have a certified electrician come and test your electrical current to ensure it complies with the electrical requirements on pg. 20.

**THERE IS A HIGH-SPEED TICKING SOUND COMING FROM THE BLADES.**

- 1) The ticking sounds might be the bed bar blade and reel blade making slight contact. If the machine is producing a louder than usual ticking/banging sound, then turn off the machine and inspect the blades. Ensure your blades are properly adjusted by following the video tutorial "Adjusting the Bed Bar Blade" on our website.
- 2) A fin on the tumbler might be slightly protruding therefore causing slight contact with the bed bar blade. This will cause a ticking sound for every rotation the tumbler does. Watch the video tutorial on our website called "Straightening the Drum". Also ensure the blade is adjusted properly.

**MY TUMBLER IS HOPPING AND/OR WOBBLING.**

- 1) All tumblers are hand rolled and welded. None of our tumblers are cut from a perfectly cylindrical pipe, therefore the tumbler might appear as it is slightly wobbling while the machine is on.
- 2) You might notice a slight hop to your tumbler every rotation. This is from the Red Tumbler O Ring. This should not affect the functioning of your machine. However, if you notice the hop getting worse, you will need to replace this part.

**THERE IS A HIGH PITCH SCREECHING NOISE COMING FROM MY MACHINE.**

- 1) Determine if the noise is coming from your reel bearings or brush assembly. Check your reel bearings to ensure they are greased sufficiently, Take a look at the video tutorial "Packing the Bearings" on our website to help you with this. If the noise persists after you grease your bearings you will need to purchase and replace them. If the noise is coming from your brush assembly, you will need to purchase and replace the brush bearings.
- 2) If the noise is coming from your leaf collector, you will need to replace the bearings in your leaf collector. Please contact our tech support for more details on this.
- 3) It is very important to ensure that after cleaning your machine, you run it for 10-15 mins to ensure there is no residual water around the bearings.

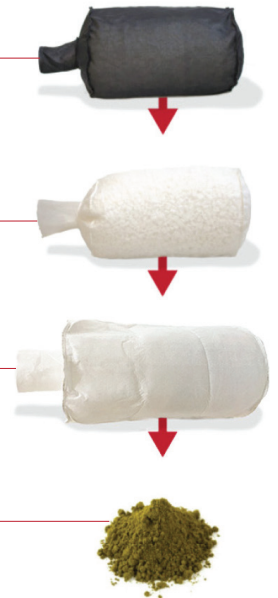


TRIPLE-BAG KIEF COLLECTION SYSTEM

Kief is becoming wildly popular due to the rise of extractions. Unfortunately, machines that require sprays can contaminate and destroy your Kief, making it virtually useless. Thankfully, CenturionPro offers an optional non-stick Quantanium coating on the tumblers. This means no spray is needed so your Kief remains 100% pure and usable. To further benefit growers, we developed a new triple-bag filtration system. This system will assist with Kief collection and separating it from your trim. This allows you to safely and easily collect the precious trichomes for further processing and profits. With your machine, you will see that you have a black mesh bag, a white filter bag, and an outer polyester bag. The black bag goes inside the white filter bag, which then goes inside the polyester bag.

HOW IT WORKS

STEP 1	THE GREEN LEAFY TRIM WILL COLLECT IN THE NEW INNER BLACK BAG.
STEP 2	ONLY THE KIEF MAKES IT THROUGH THE BLACK BAG AND COLLECTS IN THE WHITE FILTER BAG.
STEP 3	OUTER POLYESTER BAG CATCHES ANY KIEF THAT MAY PASS THROUGH THE WHITE FILTER BAG.
STEP 4	TURN OFF THE MACHINE AND REMOVE THE INNER BLACK MESH BAG AND THEN EXTRACT KIEF. ENJOY!



THE BAGS ARE EASY TO WASH WITH A PRESSURE WASHER USING COLD WATER. THE BAGS CAN ALSO BE PUT THROUGH THE WASHING MACHINE, BUT IT IS RECOMMENDED TO BE RUN THROUGH ON A COLD DELICATE CYCLE ONLY.



FREQUENTLY ASKED QUESTIONS

HOW EASY IS IT TO CLEAN?

Our machines can be taken apart and cleaned within 15 minutes. Please see the detailed cleaning instructions throughout this manual. Our Quantanium coating is similar to a Teflon pan you would have at home which is even easier to clean. Just submerge in warm water, let soak and then wipe with a soft cloth. We recommend to clean every 3-4 hours of use, but it depends on your strain. We know the importance of down time during a harvest so we wanted to make this process extremely quick and easy

WHAT IS THE MAINTENANCE LIKE?

We have several video tutorials on our website with how to fully service your machine. These step by step DIY videos make it very easy to do everything necessary to maintain your machine. All parts can be ordered through any hydroponic store nationwide.

DO YOUR MACHINES TRIM WET OR DRY?

All CenturionPro trimming machines are specially designed to trim both wet and dry material better than any other machine on the market. Our Dual-Purpose Hybrid Tumbler has been extensively tested to outperform both the traditional wet tumbler when trimming wet and the traditional dry tumbler when trimming dry.

This CenturionPro innovation allows you to switch between wet and dry material with just a few small adjustments to your trimming system. This is a major benefit because you can purchase one machine and still have the capability to trim wet or dry flowers.

ARE YOUR MACHINES BUILT TO AN INDUSTRIAL STANDARD?

We do not compromise quality for cost savings. All CenturionPro Solutions machines are composed of the highest quality materials available in North America and each machine is put through a comprehensive quality control inspection. We only use brand name components in the build out of our machines which enables us to have the comfort in giving you a 10 year trimmer warranty. With proper maintenance these machines will last you well over a decade.

WHAT IS THE OPTIMAL ROOM TEMPERATURE TO TRIM?

Use your CenturionPro machine in 50-60 °F (10- 15 °C) room to get the best performance. Cooler temperatures prevent excessive sticking to machine components.

MY MACHINE IS NOT WORKING LIKE IT DID WHEN IT WAS NEW, WHY?

Make sure to fully clean the machine and blades. If the machine is clean, the blade is adjusted properly and the leaf collector has full suction, then your machine should trim exactly like it was new.

WHY IS MY PRODUCT STICKING TO THE INSIDE OF THE TUMBLER?

If you find that product is sticking to the inside of the tumbler, first clean the tumbler. When you reassemble it, make sure the top brush bristles are poking through 1/4" into the tumbler.

HOW MUCH PRODUCT SHOULD BE IN THE TUMBLER AT ONE TIME?

The tumbler should be 40-60% full when trimming.

ADDITIONAL ASSISTANCE

You are about to enjoy the experience of CenturionPro Solution's automated trimming machine. For critical information on assembly, cleaning, care, maintenance and how to operate your machine correctly, please review this manual and check out our video tutorials, which are posted on our website for your ease and convenience.

Go to www.cprosolutions.com/video-tutorials for our video tutorials.

These tutorials provide how-to assistance on the following aspects of machine maintenance:

- | | | |
|-----------------------------------|------------------------------------|-------------------------|
| • Straightening the Tumbler/Drum | • Complete Unit Assembly | • Sharpening The Blade |
| • Skirt Assembly | • Replacing the Bearings | • Cleaning The Blower |
| • Removing and Replacing The Belt | • Manually Bucking Your Product | • Adjusting The Blade |
| • Replacing The Motor | • Trimmer Cleaning and Maintenance | • Packing The Bearings |
| • Blade Removal and Cleaning | • Replacing The Tumbler/Drum Ring | • Replacing The Pulleys |

****If for some reason you can't find an answer to your question online or in your manual, please do not hesitate to contact us.**

**WE ARE OPEN MONDAY THROUGH FRIDAY FROM 9AM TO 5PM PST - PH: 1-855-535-0558
FILLING OUT THE "CONTACT US" FORM ON THE WEBSITE, IS ANOTHER SURE WAY TO GET IN TOUCH.**

XL TRIMMERS SPECIFICATIONS

XL 5.0	XL 5.0 SE	XL 10.0
5 x DUAL-PURPOSE HYBRID 304 STAINLESS STEEL TUMBLERS	5 x DUAL-PURPOSE HYBRID 304 STAINLESS STEEL TUMBLERS	10 x DUAL-PURPOSE HYBRID 304 STAINLESS STEEL TUMBLERS
10 x 11-BLADE (26") CUTTING REELS	15 x 11-BLADE (26") CUTTING REELS	20 x 11-BLADE (26") CUTTING REELS
420,000 CUTS PER MINUTE	630,000 CUTS PER MINUTE	840,000 CUTS PER MINUTE
5 x 6HP LEAF COLLECTORS	5 x 8HP LEAF COLLECTORS	5 x 8HP LEAF COLLECTORS
20" TUMBLER DIAMETER	20" TUMBLER DIAMETER	20" TUMBLER DIAMETER
38.9 CUBIC FEET OF TUMBLER VOLUME	38.9 CUBIC FEET OF TUMBLER VOLUME	77.8 CUBIC FEET OF TUMBLER VOLUME
MAIN POWER REQUIREMENT AVAILABLE AS 60HZ 220V 3-PHASE 150 AMP OR 50HZ 380V 3-PHASE 100 AMP	MAIN POWER REQUIREMENT AVAILABLE AS 60HZ 220V 3-PHASE 150 AMP OR 50HZ 380V 3-PHASE 100 AMP	MAIN POWER REQUIREMENT AVAILABLE AS 60HZ 220V 3-PHASE 150 AMP OR 50HZ 380V 3-PHASE 100 AMP
UP TO 1500 LBS/HR WET THROUGHPUT	UP TO 2250 LBS/HR WET THROUGHPUT	UP TO 3000 LBS/HR WET THROUGHPUT
UP TO 300 LBS/HR DRY THROUGHPUT	UP TO 450 LBS/HR DRY THROUGHPUT	UP TO 600 LBS/HR DRY THROUGHPUT
5-YEAR TRIMMER WARRANTY	5-YEAR TRIMMER WARRANTY	5-YEAR TRIMMER WARRANTY
2-YEAR LEAF COLLECTOR WARRANTY	2-YEAR LEAF COLLECTOR WARRANTY	2-YEAR LEAF COLLECTOR WARRANTY

ELECTRICAL POWER SUPPLY SET-UP

	NORTH AMERICA (60 HZ)						EUROPE (50 HZ)			
	COMPONENTS	MOTOR QUANTITY	VOLTS	AMPS	HP	PHASE	VOLTS	AMPS	HP	PHASE
XL 5.0	Main Power		220V	150A	-	3PH	380V	100A	-	3PH
	Infeed Conveyor	1	220V	1.6A	1/2HP	3PH	380V	1A	1/2HP	3PH
	Tumbler/Blade Motor	5	220V	3A	1HP	3PH	380V	1.6A	1HP	3PH
	Outfeed Conveyor	1	220V	3A	3/4HP	3PH	380V	1.9A	3/4HP	3PH
	Leaf Collectors	5	220V	18A	6HP	3PH	380V	8A	6HP	3PH
XL 5.0 SE	Main Power		220V	150A	-	3PH	380V	100A	-	3PH
	Infeed Conveyor	1	220V	1.6A	1/2HP	3PH	380V	1A	1/2HP	3PH
	Tumbler/Blade Motor	5	220V	3A	1HP	3PH	380V	1.6A	1HP	3PH
	3rd Blade Motor	5	220V	1.4A	1/4HP	3PH	380V	1A	1/4HP	3PH
	Outfeed Conveyor	1	220V	3A	3/4HP	3PH	380V	1.9A	3/4HP	3PH
	Leaf Collectors	5	220V	21A	8HP	3PH	380V	11A	8HP	3PH
XL 10.0	Main Power		220V	150A	-	3PH	380V	100A	-	3PH
	Infeed Conveyor	2	220V	1.6A	1/2HP	3PH	380V	1A	1/2HP	3PH
	Tumbler/Blade Motor	5	220V	3A	1HP	3PH	380V	1.6A	1HP	3PH
	Outfeed Conveyor	1	220V	3A	3/4HP	3PH	380V	1.9A	3/4HP	3PH
	Leaf Collectors	5	220V	21A	8HP	3PH	380V	11A	8HP	3PH

TEST YOUR ELECTRICAL CURRENT TO MAKE SURE IT IS PRODUCING POWER. **WE RECOMMEND HAVING A CERTIFIED ELECTRICIAN SET UP THE PROPER POWER SUPPLY.** THIS WILL ENSURE YOUR POWER SOURCE IS SUPPLYING THE CORRECT ELECTRICITY. IF YOU HAVE NOT DONE THIS, HAVE A CERTIFIED ELECTRICIAN COME AND TEST YOUR ELECTRICAL CURRENT.

!! IMPORTANT !!

WARRANTY

YOU MUST REGISTER YOUR TRIMMER WITHIN 30 DAYS OF YOUR PURCHASE

YOU HAVE JUST MADE A SMART DECISION BY PURCHASING THE BEST TRIMMER IN THE WORLD. FAILURE TO REGISTER YOUR MACHINE WITHIN 30 DAYS OF PURCHASE WILL VOID YOUR 10 YEAR WARRANTY. PROTECT YOUR INVESTMENT. THIS PROCESS WILL ONLY TAKE 3 MINUTES TO COMPLETE.

TO REGISTER GO TO:

cprosolutions.com/warranty

WARRANTY TERMS AND CONDITIONS

CenturionPro Solutions (the manufacturer) will repair or replace, without charge, any parts proven defective in material or workmanship for a period of 5 years on the Trimming Machine and 3 years on the Leaf Collector.

The warranty period will begin on the date the machine(s) is purchased by the initial purchaser. Product or component warranty defects can be remedied at any authorized service dealer, or directly at the manufacturer. Any service work performed, and deemed valid due to a defective part, will be free of charge. CenturionPro Solutions reserves the right to use any manufacturer-approved replacement part for the warranty repair.

The machine or defective part then must be returned to the manufacturer for analysis or replacement at the cost of the owner. Parts deemed to be covered under the warranty will be provided for free excluding shipping costs.

Do not return the machine to the place of purchase for repair or warranty claims, unless you have been authorized by CenturionPro Solutions to do so. The place of purchase can only sell replacement parts and will not repair any warranty issues, unless it is noted as an authorized repair dealer and has been authorized to work on your machine.

IF WARRANTY REPAIR IS REQUIRED, PLEASE CONTACT THE MANUFACTURER AT 1-855-535-0558 OR techsupport@cprosolutions.com AND PROVIDE THE FOLLOWING INFORMATION:

- 1. Model and serial number**
- 2. Proof of purchase date**
- 3. A copy of the original Warranty Registration Card or Online Submission**
- 4. Details of the defect or problem (include photos and videos)**

YOU MAY BE DENIED WARRANTY COVERAGE IF YOUR MACHINE HAS FAILED DUE TO ANY OF THE FOLLOWING:

Product abuse	Normal wear
Product neglect	Accidental damage
Improper maintenance	Unapproved modifications
Improper electrical connection	

LIABILITIES

The manufacturer assumes no risk and shall be subject to no liability for damages or loss resulting from the specific use or application made of the product. In no event will the manufacturer be liable for any special, incidental or consequential damages (including loss of use, loss of profit and claims of third parties) however caused - whether by negligence of the manufacturer or otherwise. If you have any questions regarding your warranty rights and responsibilities, please contact the manufacturer.

LEGALITIES

CenturionPro trimming machines are intended for use on legal aromatic herbs and hops. Please check all municipal, provincial/state and federal laws and regulations before using these machines. CenturionPro Solutions does not promote or condone the use of these products in any way that may be deemed illegal. Allow only persons who understand this disclaimer to operate the machines.



CENTURIONPRO

HEMP & CANNABIS HARVESTING SOLUTIONS

 cprosolutions.com

 1 855 535 0558

 info@cprosolutions.com

FOLLOW US ON:

