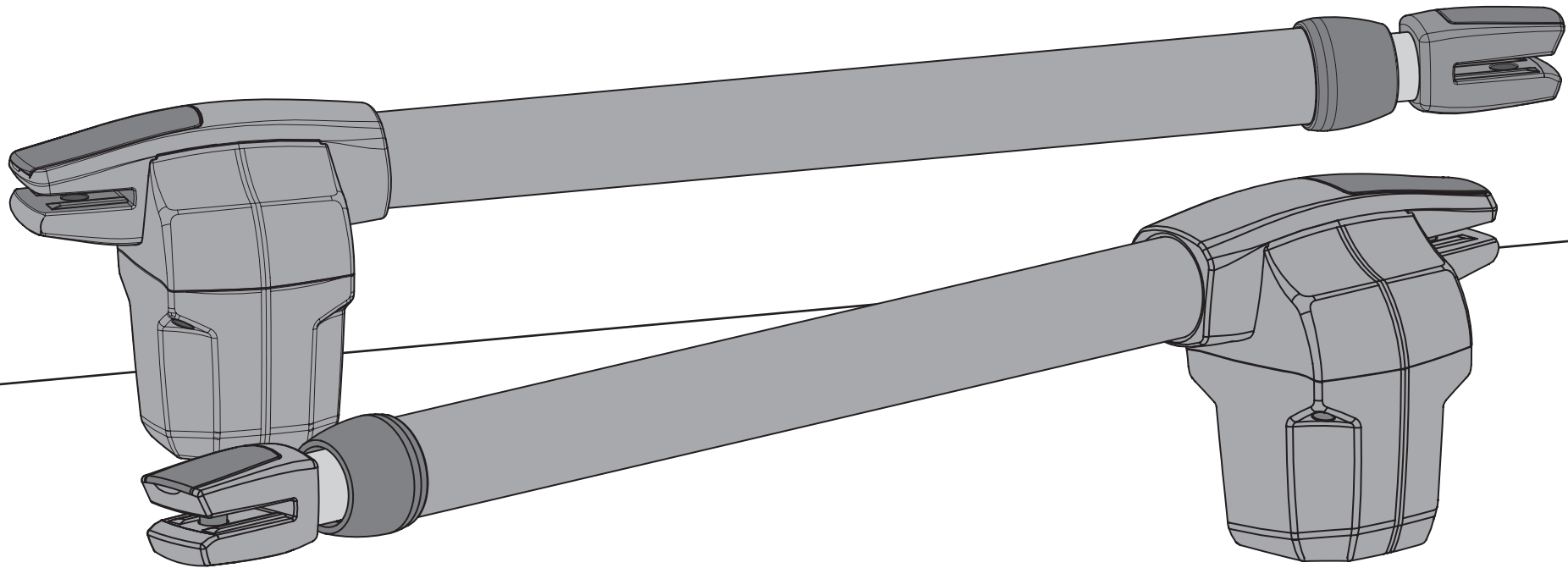




# LINCE 230V/110V/24V

## USER'S AND INSTALLER'S MANUAL



# 00. CONTENT

## INDEX

### 01. SAFETY INSTRUCTIONS

STANDARDS TO FOLLOW 1B

### 02. PACKAGE

INSIDE PACKAGE 3A

### 03. OPERATOR

CHANGE MOTOR DIRECTION 3B

MANUAL RELEASE 4B

TECHNICAL SPECIFICATIONS 5A

### 04. INSTALLATION

INTERIOR OPENING INSTALLATION QUOTAS 5B

EXTERNAL OPENING INSTALLATION QUOTAS 6

INSTALLATION STEPS 7

MICROS ADJUSTMENT 8A

INSTALLATION MAP 9

### 05. TROUBLESHOOTING

FINAL CONSUMERS INSTRUCTIONS 10

INSTRUCTIONS FOR SPECIALIZED INSTALLERS 10

### 06. COMPONENTS TEST

230V/110V MOTOR 11A

24V MOTOR 11B

### 07. MAINTENANCE

MAINTENANCE 12A

### 08. CONTROL BOARD MC2

CONNECTIONS SCHEME 230V/110V 13

### 09. CONTROL BOARD MC11

CONNECTIONS SCHEME 24V 14

# 01. SAFETY INSTRUCTIONS

## STANDARDS TO FOLLOW

### ATTENTION:



This product is certified in accordance with European Community (EC) safety standards.



This product complies with Directive 2011/65/EU of the European Parliament and of the Council, of 8 June 2011, on the restriction of the use of certain hazardous substances in electrical and electronic equipment.



(Applicable in countries with recycling systems).  
This marking on the product or literature indicates that the product and electronic accessories (eg. Charger, USB cable, electronic material, controls, etc.) should not be disposed of as other household waste at the end of its useful life. To avoid possible harm to the environment or human health resulting from the uncontrolled disposal of waste, separate these items from other types of waste and recycle them responsibly to promote the sustainable reuse of material resources. Home users should contact the dealer where they purchased this product or the National Environment Agency for details on where and how they can take these items for environmentally safe recycling. Business users should contact their vendor and check the terms and conditions of the purchase agreement. This product and its electronic accessories should not be mixed with other commercial waste.



This marking indicates that the product and electronic accessories (eg. charger, USB cable, electronic material, controls, etc.) are susceptible to electric shock by direct or indirect contact with electricity. Be cautious when handling the product and observe all safety procedures in this manual.

# 01. SAFETY INSTRUCTIONS

## STANDARDS TO FOLLOW

- It is important for your safety that these instructions are followed.
- Keep these instructions in a safe place for future reference.
- The **ELECTROCELOS S.A.** is not responsible for the improper use of the product, or other use than that for which it was designed.
- The **ELECTROCELOS S.A.** is not responsible if safety standards were not taken into account when installing the equipment, or for any deformation that may occur.
- The **ELECTROCELOS S.A.** is not responsible for insecurity and malfunction of the product when used with components that were not sold by the them.
- This product was designed and manufactured strictly for the use indicated in this manual.
- This control board is not appropriate for inflammable or explosive environments.
- Any other use not expressly indicated may damage the product and/or can cause physical and property damages, and will void the warranty.
- Do not make any changes to the automation components and/or their accessories.
- Control board for indoor use with 24Vdc/110Vac/230Vac connection.
- Keep remote controls away from children, to prevent the automated system from being activated involuntarily.
- The customer shall not, under any circumstances, attempt to repair or tune the automatism. Must call qualified technician only.
- The installer must have certified professional knowledge at the level of mechanical assemblies in doors and gates and control board programming. He should also be able to perform electrical connections in compliance with all applicable regulations.
- The installer should inform the customer how to handle the product in an emergency and provide him the manual.
- This device can be used by children 8 year old or older and persons whose physical, sensory or mental capacities are reduced, or by persons without experience or knowledge if they have received supervision or instructions on the use of the device in a safe manner and understood the hazards involved. Children should not play with the device. Cleaning and maintenance by the user must not be carried out by unsupervised children.
- Automatism powered by very low safety voltage, with electronic board/control board/control unit (only applicable to 24V motors).
- Before installing, the installer must verify that the temperature range indicated on the automatism is appropriate to the location of the installation.

# 01. SAFETY INSTRUCTIONS

## STANDARDS TO FOLLOW

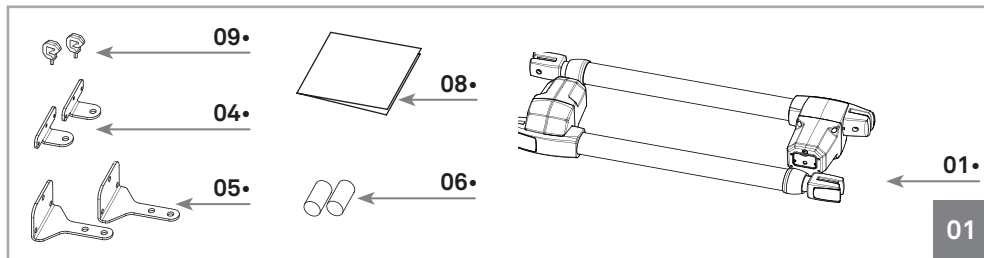
- Before installing, the installer must verify that the equipment to be automated is in good mechanical condition, correctly balanced and opens and closes properly.
- If the automation is to be installed at a level higher than 2,5 m above ground level or other level of access, , should be followed the minimum safety and health requirements for the use of work equipment workers at work in Directive 2009/104/EC of the European Parliament and of the Council of 16th September of 2009.
- In the case of the equipment where the automation will be installed, have a pedestrian door, be aware that it must be closed when the automation is activated.
- After installation, make sure that the mechanism is properly adjusted and that the protection system and any manual unlocker works correctly.
- In order to protect the electrical cables against mechanical stress, you should use conduit for the electrical wires, essentially on the power cable.
- When programming the control unit, pay particular attention to touching only the location intended for that purpose. Failure to do so may result in electric shock.
- Replacement of the power cable in the automation can only be carried out by specialized technicians or by the manufacturer.

## 02. PACKAGE

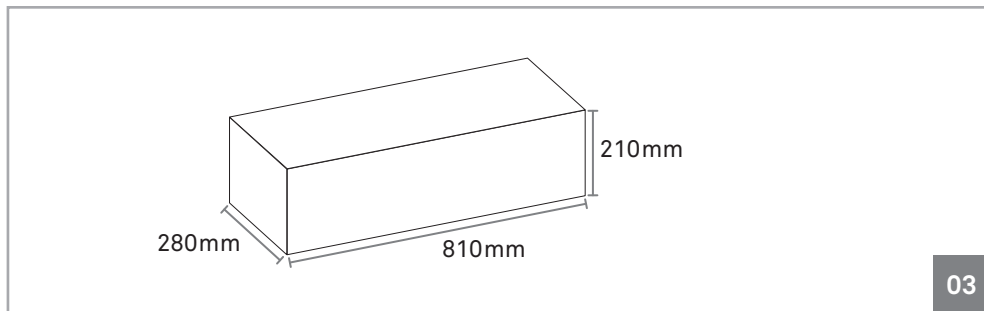
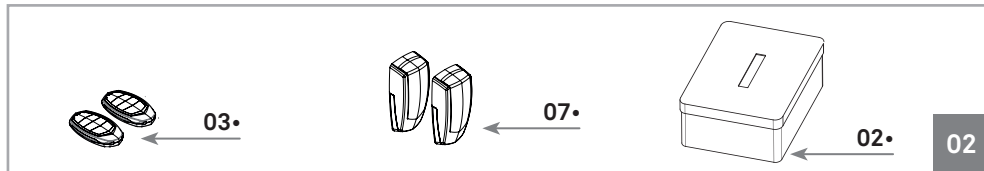
### INSIDE PACKAGE

In the package you will find the following components:

- 01• 02 Swing operators LINCE
- 02• 01 Control Board
- 03• 02 transmitters
- 04• 02 Front supports
- 05• 02 Rear supports
- 06• 02 Capacitors [only available with the 230V (8 $\mu$ F) and 110V(20 $\mu$ F) models]
- 07• 01 Photocells
- 08• 01 User's manual
- 09• 02 Release keys



Electronic components the kit:

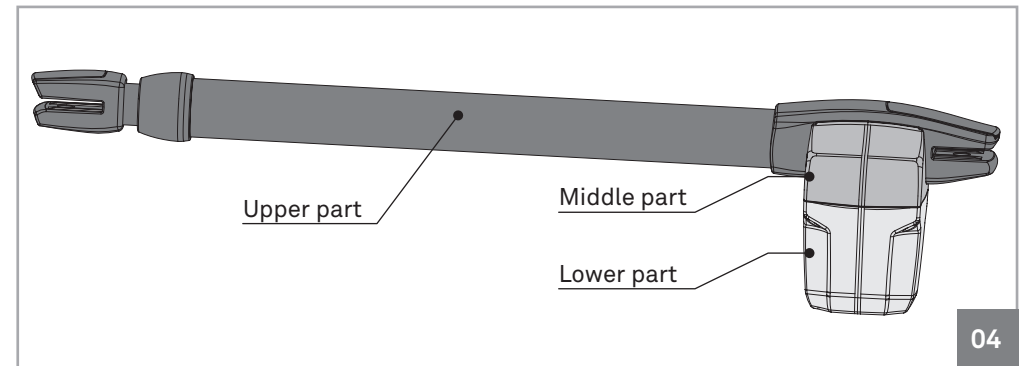


## 03. OPERATOR

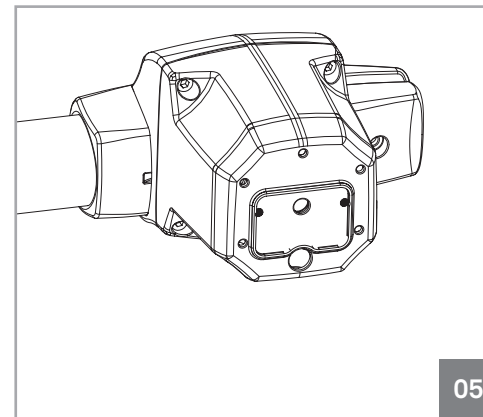
### CHANGE MOTOR DIRECTION

The operator **LINCE**, is a product developed exclusively for the automatic opening of swing gates.

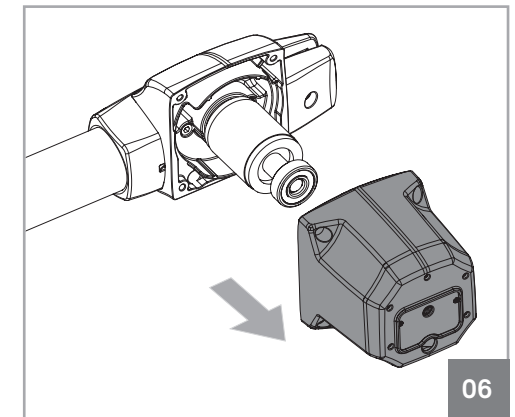
Besides being practical, safe and powerful, this product has a new function incorporated so that you can transform a motor to apply on right leaves to left leaves. This allows greater flexibility in the use of each operator.



Motor disassembly and assembly process, in order to transform motor, must be done as follows:



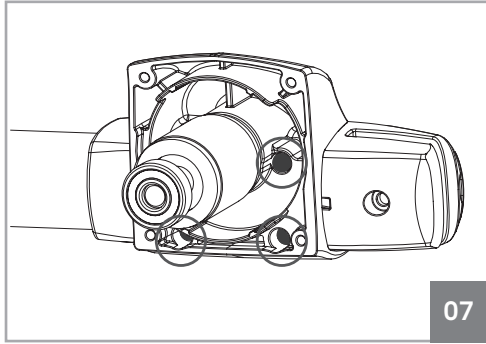
01 • Loosen the screws that secure the Lower Part to Middle Part.



02 • Remove Lower Part.

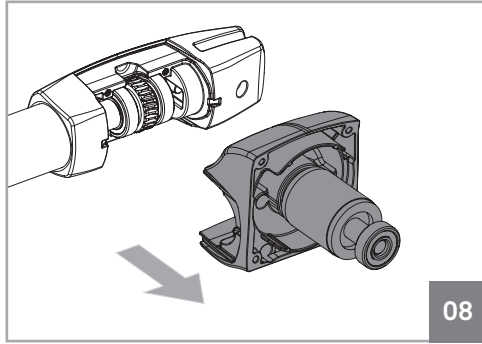
## 03. OPERATOR

### CHANGE MOTOR DIRECTION



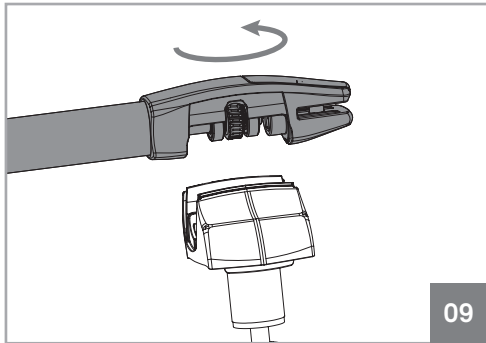
07

03 • Loosen the screws of the Middle Part.



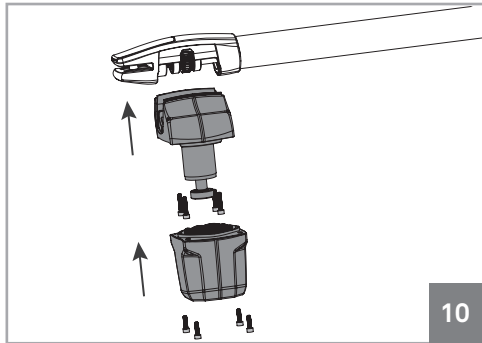
08

04 • Remove Middle Part.



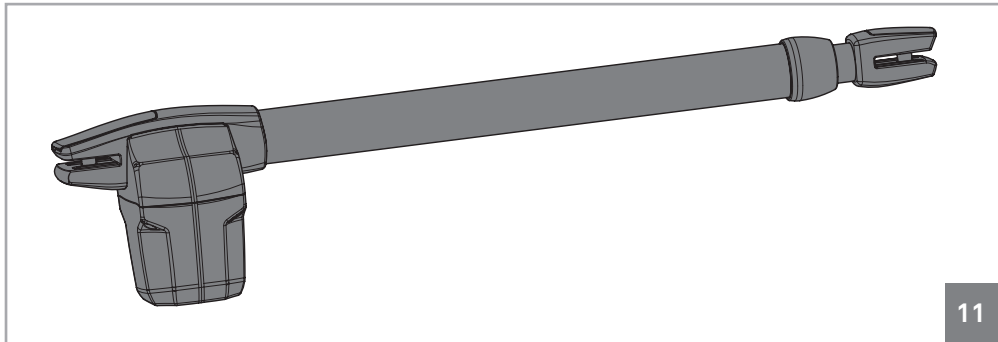
09

05 • Rotate Upper Part 180°.



10

06 • Assemble operator by tightening all components with the screws.

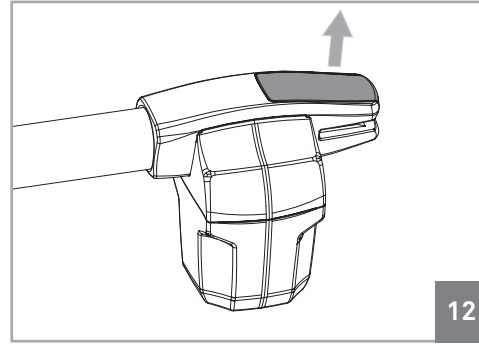


11

07 • Full transformed operator.

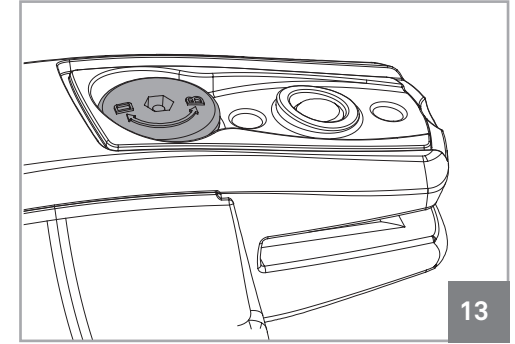
## 03. OPERATOR

### UNLOCK OPERATOR



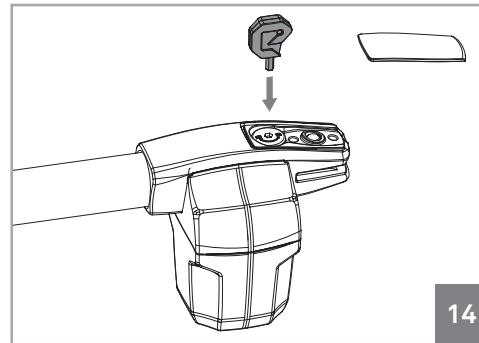
12

01 • Remove the plastic cap from the rear end.



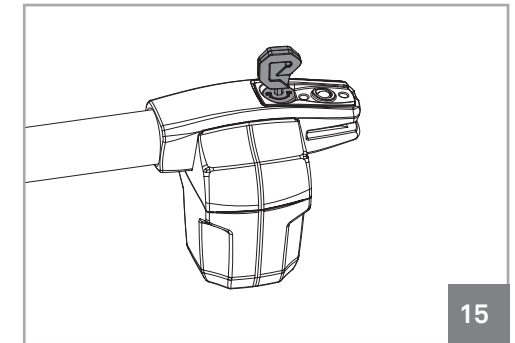
13

Information engraved on the unlock shaft.  
D=Unlock || B=Lock



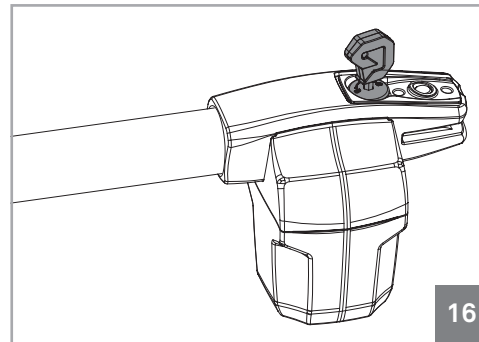
14

02 • Insert Release key on the unlock shaft.



15

03 • Rotate key 180° in the direction indicated in the figure to unlock.



16

04 • Operator unlocked.

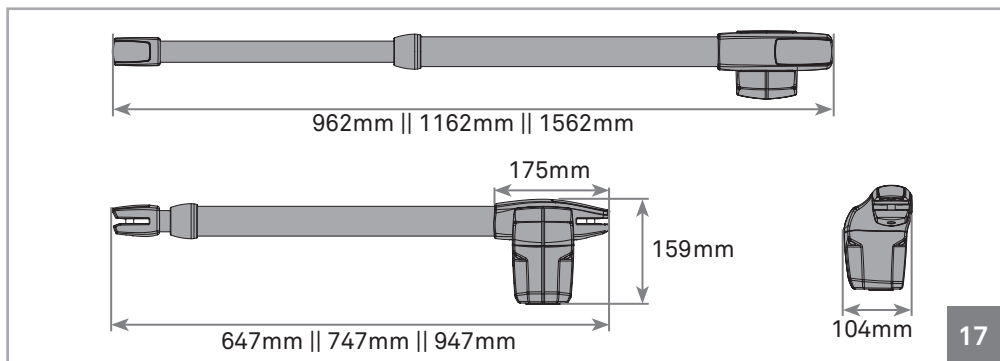
**Note** • To lock operator so it can work automatically, must do it by turning the key anticlockwise.

## 03. OPERATOR

### TECHNICAL SPECIFICATIONS

		LINCE300	LINCE400	LINCE600
• Power Supply	230V	230Vac 50/60Hz	230Vac 50/60Hz	230Vac 50/60Hz
	110V	110Vac 50/60Hz	110Vac 50/60Hz	110Vac 50/60Hz
	24V	24Vdc	24Vdc	24Vdc
• Power	230/110V	230W	230W	230W
	24V	60W	60W	60W
• Current	230V	1,3A	1,3A	1,3A
	110V	2,5A	2,5A	2,5A
	24V	1A to 3A	1A to 3A	1A to 3A
• RPM	230/110V	1400 RPM	1400 RPM	1400 RPM
	24V	1600 RPM	1600 RPM	1600 RPM
• Noise level		LpA <= 50 dB (A)	LpA <= 50 dB (A)	LpA <= 50 dB (A)
• Force		2300N	2300N	2300N
• Operating temperatures		-25°C to 65°C	-25°C to 65°C	-25°C to 65°C
• Thermal protection		120°C	120°C	120°C
• Protection class		IP54	IP54	IP54
• Working frequency	230/110V	25%	25%	25%
	24V	Intensive	Intensive	Intensive
• Opening time		8 sec. to 13 sec.	13 sec. to 18 sec.	20 sec. to 28 sec.
• Course		300mm	400mm	600mm
• Max leaf lenght		2500mm	3000mm	4000mm
• Capacitor	230V	8µF	8µF	8µF
	110V	20µF	20µF	20µF

LINCE 300 || 400 || 600 dimensions are the following:



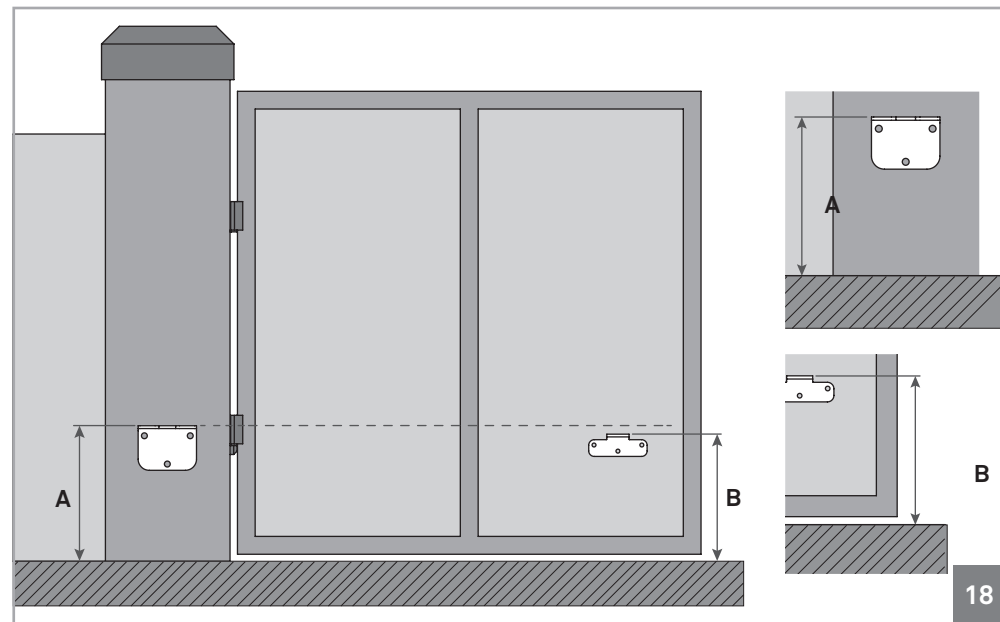
17

## 04. INSTALLATION

### HEIGHT OF THE SUPPORTS

The operator **LINCE** must be installed with a small inclination, to prevent water infiltration through the extension arm.

For this, the front support must be fixed to the gate with a height lower than the height of the rear support. See example below:



18

**Dimension A** • Vertical distance from the floor to the top of the rear support .

**Dimension B** • Vertical distance from the floor to the top of the front support.

A	? mm	• Set <b>dimension A</b> (this can be any size of your choice).
B	A-10mm	• After you set <b>dimension A</b> , subtract <b>10mm</b> to find <b>dimension B</b> .

#### Example:

- If the height of the rear bracket (**dimension A**) is set at 600 mm, then the height of the front bracket (**dimension B**) will be 590 mm (600mm-10mm).

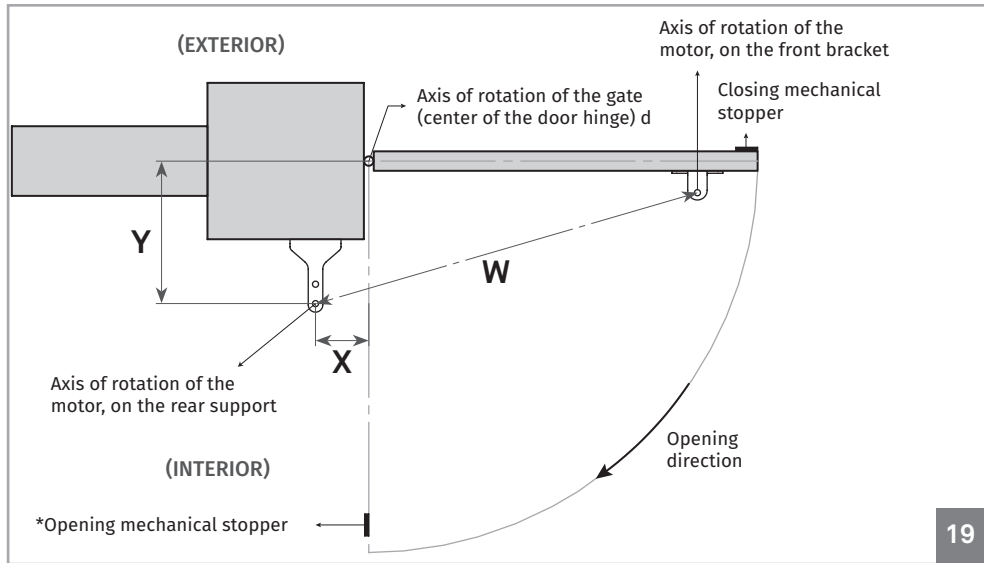


**It is very important that these dimensions are respected!** Only this way can be assured the correct functioning and durability of the operators!  
It is also very important to have a levelled ground/terrain!

# 04. INSTALLATION

## EXTERNAL OPENING INSTALLATION QUOTAS

On the Illustrated diagrams below and on the next page, are the **dimensions for the installation** of the automated system.



19

\* The installation of opening stopper is not mandatory.

**Legend:**

**Dimension X** - Horizontal distance between hinge axis of the door and the rear axle of the motor.  
**Dimension Y** - Vertical distance between hinge axis of the door and the rear axle of the motor.  
**Dimension W** - Distance between axis of the motor brackets.



When installing the automation, it is mandatory to respect the dimensions x and y, indicated in the tables. Within this area, it is possible to identify the maximum opening angle that the gate reaches in these dimensions.

X, Y and W shown in (mm)



**It is very important that these dimensions are respected!** Only this way can be assured the correct functioning and durability of the operators!

LINCE 300			
Cotas Y	Cotas X		
	140	150	160
140	98°	94°	91°
150	94°	91°	-
160	90°	-	-

W 895 a 900

LINCE 400								
Cotas Y	Cotas X							
	170	180	190	200	210	220	230	
170	108°	107°	103°	100°	97°	95°	93°	
180	108°	103°	100°	97°	95°	93°	91°	
190	103°	99°	96°	94°	92°	90°	-	
200	99°	96°	93°	91°	-	-	-	
210	95°	92°	90°	-	-	-	-	
220	92°	-	-	-	-	-	-	

W 1095 a 1100

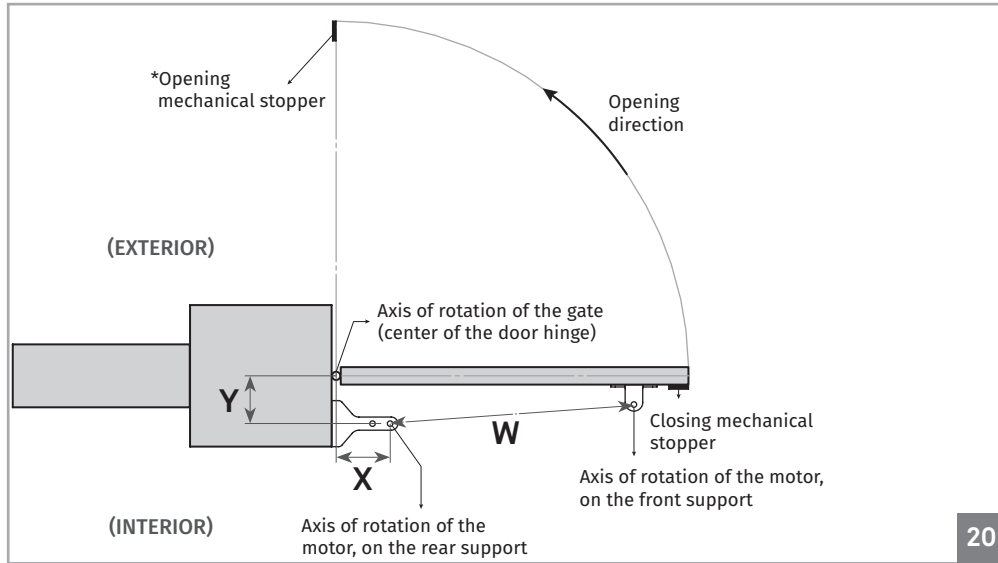
W 1495 a 1500

LINCE 600																
Cotas Y	Cotas X															
	200	210	220	230	240	250	260	270	280	290	300	320	340	360	380	400
200	105°	107°	110°	112°	114°	116°	118°	119°	114°	111°	108°	104°	101°	98°	96°	95°
220	105°	107°	109°	111°	113°	115°	117°	115°	111°	109°	106°	102°	99°	97°	95°	93°
230	104°	106°	109°	111°	113°	115°	116°	112°	109°	106°	104°	100°	98°	95°	93°	92°
240	104°	106°	108°	110°	112°	114°	112°	109°	106°	104°	102°	98°	96°	94°	92°	91°
250	104°	106°	108°	110°	112°	113°	109°	106°	103°	101°	100°	97°	94°	92°	91°	-
260	103°	105°	107°	109°	111°	109°	106°	103°	101°	99°	97°	95°	93°	91°	-	-
270	103°	105°	107°	109°	110°	106°	103°	101°	99°	97°	96°	93°	91°	-	-	-
280	103°	105°	107°	108°	106°	103°	100°	98°	96°	95°	94°	91°	-	-	-	-
290	103°	105°	107°	108°	106°	103°	100°	98°	96°	94°	93°	92°	-	-	-	-
300	103°	104°	106°	106°	103°	100°	98°	96°	94°	93°	92°	-	-	-	-	-
320	102°	104°	102°	99°	97°	95°	93°	92°	90°	-	-	-	-	-	-	-
340	102°	98°	96°	93°	92°	90°	-	-	-	-	-	-	-	-	-	-
360	94°	92°	90°	-	-	-	-	-	-	-	-	-	-	-	-	-

# 04. INSTALLATION

## EXTERNAL OPENING INSTALLATION QUOTAS

On the Illustrated diagrams below and on the next page, are the **dimensions for the installation** of the automated system.



20

\* The installation of opening stopper is not mandatory.

### Legend:

**Dimension X** - Horizontal distance between hinge axis of the door and the rear axle of the motor.  
**Dimension Y** - Vertical distance between hinge axis of the door and the rear axle of the motor.  
**Dimension W** - Distance between axis of the motor brackets.



When installing the automation, it is mandatory to respect the dimensions x and y, indicated in the tables. Within this area, it is possible to identify the maximum opening angle that the gate reaches in these dimensions.

X, Y and W shown in (mm)



**It is very important that these dimensions are respected!** Only this way can be assured the correct functioning and durability of the operators!

LINCE 300			
Cotas Y	Cotas X		
	150	160	170
120	95°	97°	92°
130	95°	93°	
140	94°		
150	90°		

W 595 a 600

LINCE 400							
Cotas Y	Cotas X						
	170	180	190	200	210	220	230
150	97°	99°	102°	104°	101°	97°	93°
160	96°	99°	101°	103°	98°	94°	91°
170	95°	98°	100°	100°	95°	92°	
180	95°	97°	100°	97°	93°		
190	94°	97°	99°	94°	90°		
200	94°	96°	96°	91°			
210	94°	96°	93°				
220	93°	94°					
230	93°	94°					

W 695 a 700

LINCE 600														
Cotas Y	Cotas X													
	200	210	220	230	240	250	260	270	280	290	300	320	340	360
200	96°	99°	101°	102°	104°	106°	108°	109°	111°	112°	114°	105°	99°	93°
210	96°	98°	100°	102°	104°	105°	107°	109°	110°	112°	111°	103°	97°	92°
220	96°	98°	99°	101°	103°	105°	106°	108°	109°	111°	109°	101°	95°	90°
230	95°	97°	99°	101°	102°	104°	106°	107°	109°	110°	107°	99°	93°	
240	95°	97°	98°	100°	102°	104°	105°	107°	108°	109°	104°	97°	92°	
250	94°	96°	98°	100°	101°	103°	105°	106°	107°	106°	102°	96°	90°	
260	94°	96°	98°	99°	101°	102°	104°	105°	107°	104°	100°	94°		
270	94°	96°	97°	99°	100°	102°	103°	105°	106°	102°	98°	92°		
280	94°	95°	97°	98°	100°	101°	103°	104°	104°	100°	96°	90°		
290	93°	95°	97°	98°	100°	101°	102°	104°	102°	98°	94°			
300	93°	95°	96°	98°	99°	101°	102°	103°	99°	96°	93°			
320	92°	94°	96°	97°	98°	100°	101°	99°	95°	92°				
340	92°	94°	95°	97°	98°	99°	99°	95°	92°					
360	92°	93°	95°	96°	97°	99°	95°	91°						
380	92°	93°	94°	96°	97°	95°	91°							
400	92°	93°	94°	95°	95°	91°								

W 900 a 905

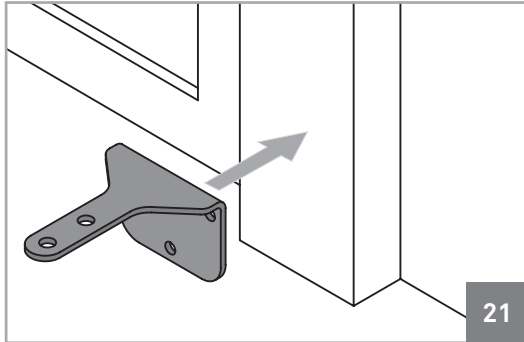


## 04. INSTALLATION

### INSTALLATION STEPS

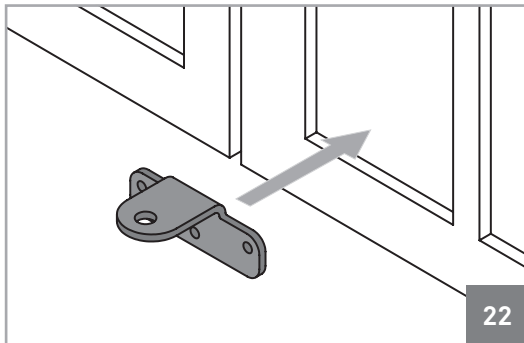


Pay attention to installation dimensions mentioned on pages 5B, 6 and 7!



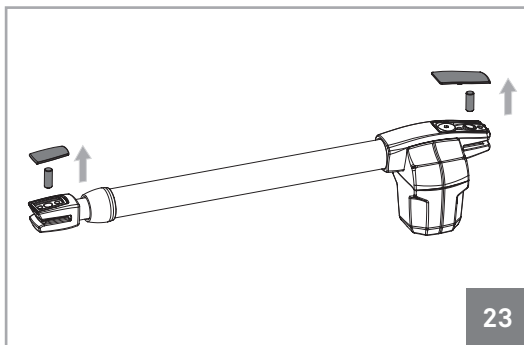
#### 01 • Fixing rear support

- The **Rear support** must be fixed to the pillar or wall using dimensions provided in the preceding pages. It can be fixed using screws with mechanical bushing or chemical welding process, or one of your choice since it provides an appropriate support.



#### 02 • Fixing front support

- The **Front support** should be fixed to the gate, respecting height dimensions and distance to the rear support. This may be fixed by using screws, welding process, or to choose another long as it provides a secure proper support.

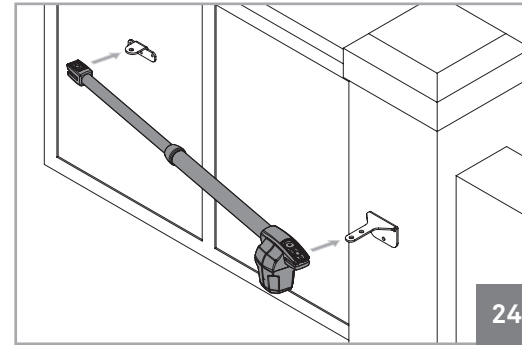


#### 03 • Remove caps and pins from motor

- Before installing motor, remove caps and pins from motor.
- At the end of the installation, put back plastic covers for a better visual finish of the operator.

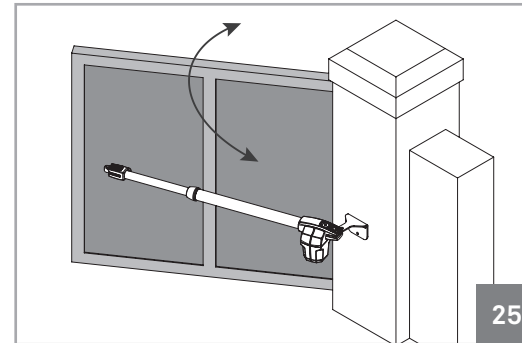
## 04. INSTALLATION

### INSTALLATION STEPS



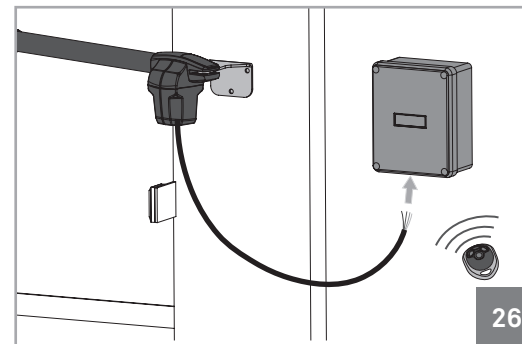
#### 04 • Install operator on the supports

- The operator must be placed on both supports the same time to avoid leaving the operator suspended by only one of the supports. To make the task easier, you should unlock the operator in order to be able to stretch/retract arm easily (see page 3B), to get the correct position for supports.



#### 05 • Test movement

- Install the pins removed earlier on each place with a small amount of lubricant for less friction.
- Move the door manually to see if the door opens and closes uniformly and correctly, without any irregular friction during its entire travel; This will ensure that operator is not subjected to problems during operation.



#### 06 • Connecting operator to control board and configuring control devices.

- With the operator installed, connect it to control board for system configuration (see control board user manual). Must also configure the desired control devices (transmitters, wall switch, etc.) and other additional components such as antenna, warning light, key selector, among others.

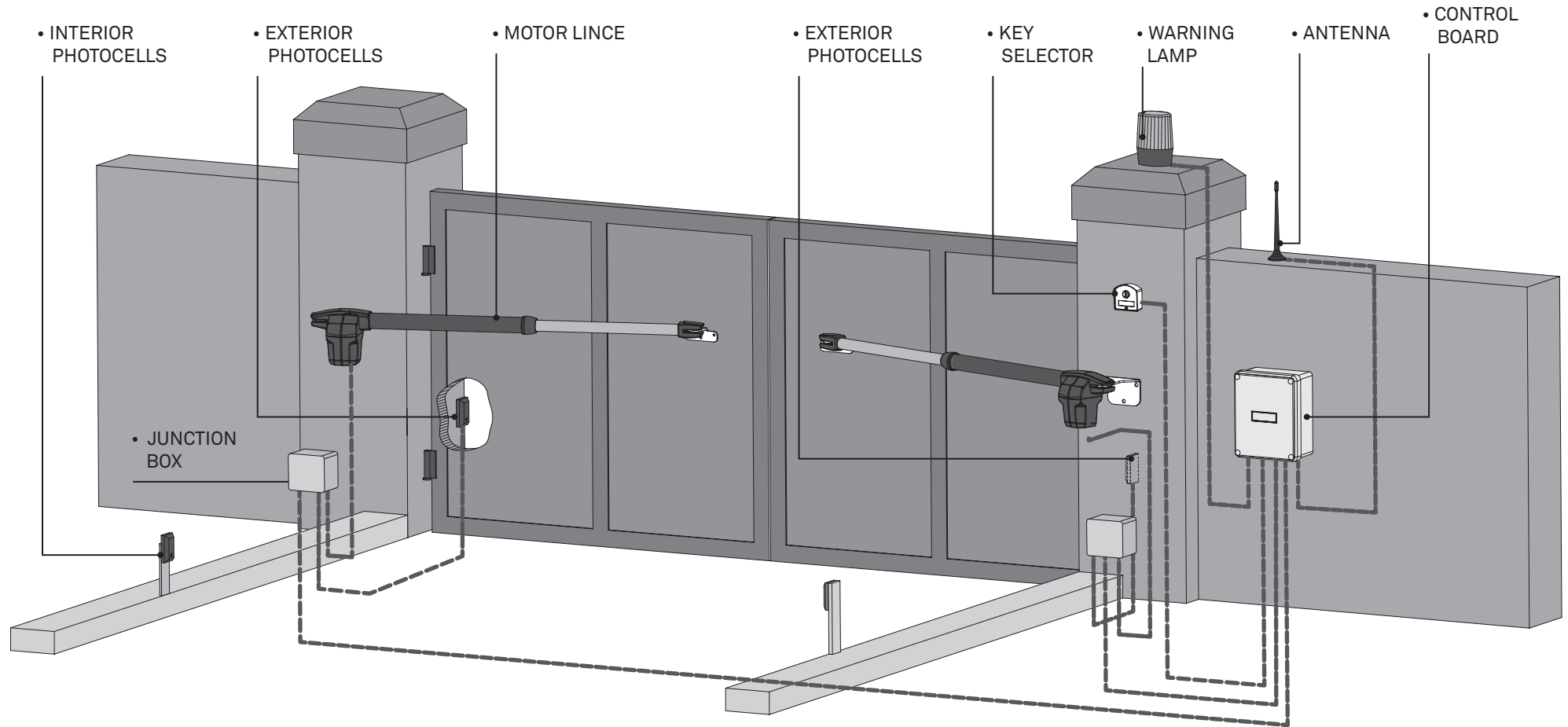


**It is important to respect this installation order!**

Otherwise, it is not possible to ensure correct installation and operators may not work properly!

# 04. INSTALLATION

## INSTALLATION MAP



### LEGEND:

----- • Connection cables



**It is important to use mechanical stoppers in the opening and closing position of the gate.** If not respected, components of the automation may suffer efforts for which they were not prepared, and as a result will be damaged.



**It is important to use junction boxes for connections between motors, components and control unit.** All cables must enter and exit on the bottom of the junction and control board box.

# 05. TROUBLESHOOTING

## FINAL CONSUMERS INSTRUCTIONS

## INSTRUCTIONS FOR SPECIALIZED INSTALLERS

Anomaly	Procedure	Behavior	Procedure II	Discovering the origin of the problem			
• Motor doesn't work at all	• Make sure you have power in the automation control board and if it is working properly.	• Still not working	• Consult a qualified MOTORLINE technician.	1 • Open control box and check if it has 230V/110V/24V power supply; 2 • Check input fuses; 3 • Disconnect motors from control board and test them by connecting directly to power supply in order to find out if they have problems (see page 11A/11B).	4 • If the motors work, the	problem is on the control board. Pull it out and send it to our MOTORLINE technical services for diagnosis; 5 • If the motors doesn't work,	remove them from installation site and send to our MOTORLINE technical services for diagnosis.
• Motor doesn't move but makes noise	• Unlock motor and move gate by hand to check for mechanical problems on the gate.	• Is the gate closed?	• Consult an experienced gate expert	1 • Check all motion axis and associated motion systems related with gate and operators (pins, hinges, etc.) to find out what is the problem.			
		• Gate moves easily?	• Consult a qualified MOTORLINE technician.	1 • Check capacitors, testing operator with new capacitors; 2 • If capacitors are not the problem, disconnect motors from control board and test them by connecting directly to power supply in order to find out if they have problems (see page 11A/11B). 3 • If the motors work, the problem is from control board. Pull it out and send it to our MOTORLINE technical services for	diagnosis; 4 • If the motors doesn't work, remove them from installation site and send to our MOTORLINE technical services for diagnosis.		
• Motor opens but doesn't close	• Unlock motor and move gate by hand to closed position. Lock motor(s) again and turn off power supply for 5 seconds. Reconnect it and send order to open gate using transmitter.	• Gate opened but didn't close again.	1 • Check if there is any obstacle in front of the photocells; 2 • Check if any of the control devices (key selector, push button, video intercom, etc.) of the gate are jammed and sending permanent signal to control unit; 3 • Consult a qualified MOTORLINE technician.	All MOTORLINE control boards have LEDs that easily allow to conclude which devices are with anomalies. All safety devices LEDs (DS) in normal situations remain On. All "START" circuits LEDs in normal situations remain Off.  If LEDs devices are not all On, there is some security systems malfunction (photocells, safety edges), etc. If "START" circuits LEDs are turn On, there is a control device sending permanent signal.	<b>A) SECURITY SYSTEMS:</b>  1 • Close with a shunt all safety systems on the control board (check manual of the control board in question). If the automated system starts working normally check for the problematic device. 2 • Remove one shunt at a time until you find the malfunction device . 3 • Replace it for a functional device and check if the operator works correctly with all the other devices. If you find another one defective, follow the same steps until you find all the problems.	<b>B) START SYSTEMS:</b>  1 • Disconnect all wires from START terminal input. 2 • If the LED turned Off, try reconnecting one device at a time until you find the defective device.  <b>NOTE:</b> n case procedures described in sections <b>A)</b> and <b>B)</b> don't result, remove control board and send to our technical services for diagnosis.	
• Motor doesn't make complete route	• Unlock motor and move gate by hand to check for mechanical problems on the gate.	• Encountered problems?	• Consult an experienced gate expert	1 • Check all motion axis and associated motion systems related with gate and operators (pins, hinges, etc.) to find out what is the problem.			
		• Gate moves easily?	• Consult a qualified MOTORLINE technician.	1 • Check capacitors, testing with new capacitors; 2 • If capacitors are not the problem, disconnect motors from control board and test them by connecting directly to power supply in order to find out if they are faulty; 3 • If the motors doesn't work, remove them from installation site and send to our MOTORLINE technical services for diagnosis. 4 • If motors work well and move	gate at full force during the entire course, the problem is from controller. Set force using trimmer on the board. Make a new working time programming , giving sufficient time for opening and closing with appropriate force (see manual of the controller in question). 5 • If this doesn't work, remove control unit and send it to MOTORLINE technical services	<b>NOTE:</b> Setting force of the controller should be sufficient to make the gate open and close without stopping, but should stop with a little effort from a person. In case of safety systems failure, the gate shall never cause physical damaged to obstacles (vehicles, people, etc.).	

## 06. COMPONENTS TEST

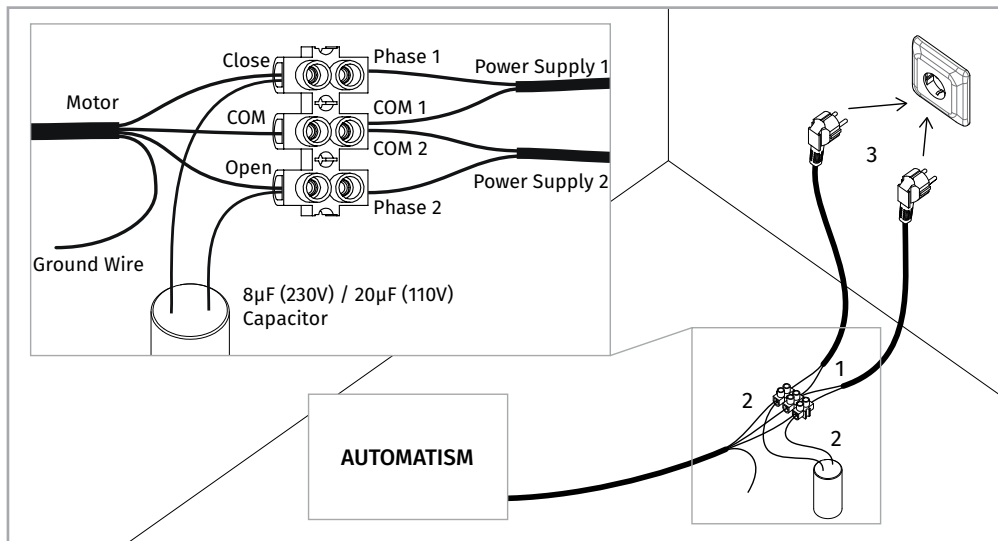
### 230V/110V MOTOR

To detect if the malfunction is on the control board or on the motor is, sometimes, necessary to perform tests with connection directly to a 110V/230V power supply. For this, it is necessary to interpose a capacitor on the connection in order to the automatism to work (check the type of capacitor to be used in the product manual). The diagram below, shows how to make that connection and how to merge the different components wires.

#### NOTES:

- To perform the tests, there is no need to remove the automatism from the place it is installed, because in this way, it is possible to understand if the automatism can function properly connected directly to the current.
- You should use a new capacitor during this test to ensure that the problem does not lie on it.

- 01 • Connect the power wires to the terminal, as shown below.
- 02 • Connect the automatism wires in the terminal, interposing a capacitor in the opening and closing wires.
- 03 • Once these connections are completed, connect to a 110V/230V power outlet, depending on the motor/control board in test.



All tests must be performed by qualified personnel due to serious danger associated with the misuse of electrical systems!

## 06. COMPONENTS TEST

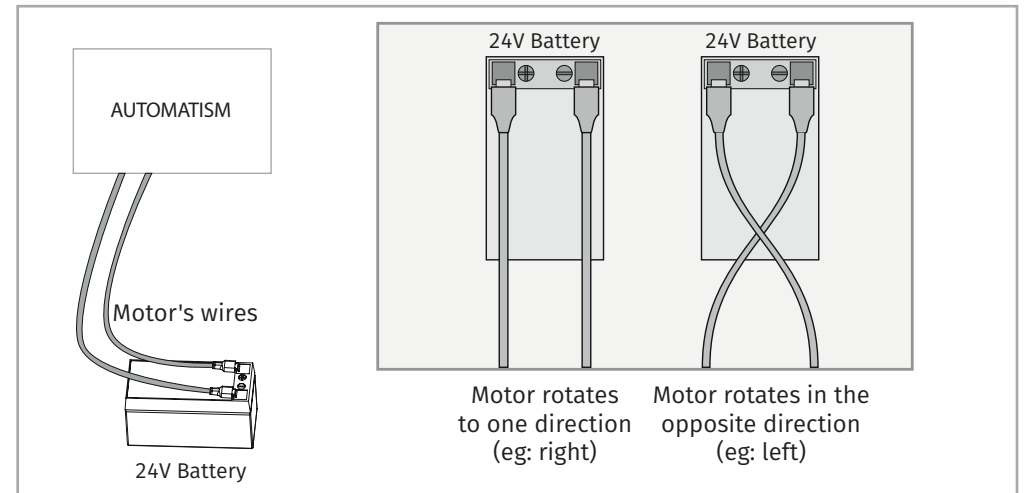
### 24V MOTOR

To detect which are the components with problems in a 24V LINCE automatism installation, it's sometimes necessary to run a test directly to a external power supply (another 24V battery).

The diagram below shows how to connect the motor to the battery.

#### NOTES:

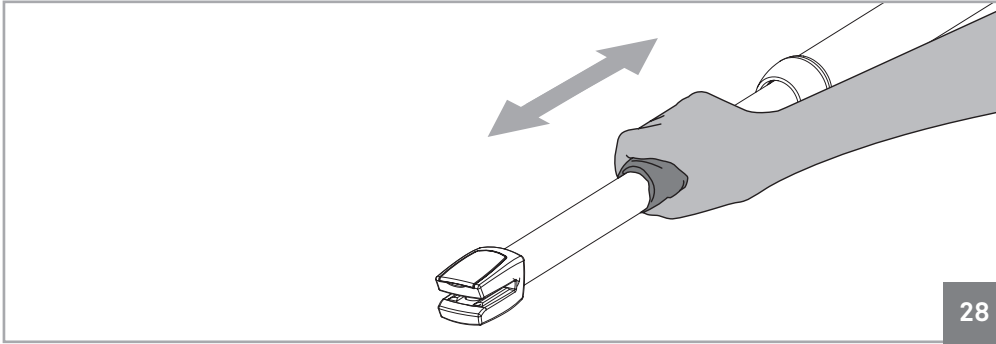
- To make these tests it isn't necessary to remove it from the location where it is installed, because in this way, you can understand of the automatism works properly directly connected to the external battery.
- Once you connect the wires to a battery 24V, the motor must work for one direction. To test the opposite movement, change the position of the wires connected to the battery.



All tests must be performed by qualified personnel due to serious danger associated with the misuse of electrical systems!

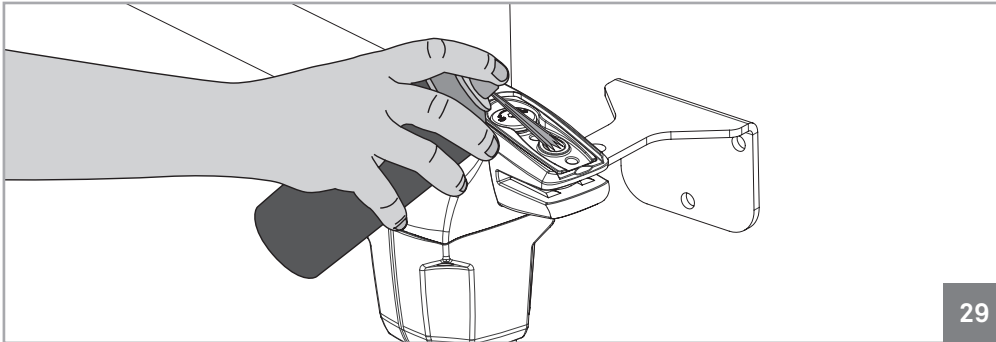
## 07. MAINTENANCE

### MAINTENANCE



#### • Clean stainless steel arm

- With a cloth soaked in lubricant spray, wipe any residue that accumulates on the operator's stainless steel arm.
- Apply a small amount of spray lubricant on the arm and using a dry cloth remove the excess, leaving a homogeneous layer of lubricant over the arm.

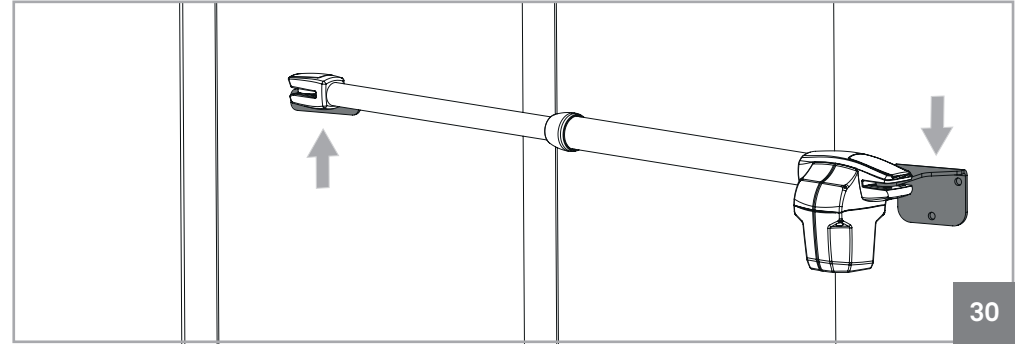


#### • Lubricate pins

- Remove front and rear caps
- Place a small amount of lubricant on the holes that contains support pins.
- Install caps on the respective holders.

## 07. MAINTENANCE

### MAINTENANCE



#### • Check motor supports

- Make sure that supports remain well fixed on the pillars and gate to ensure proper functioning of the equipment.



These maintenance measures must be applied every year in order to insure proper functioning of the automated system.

# 08. CONTROL BOARD MC2

## 230/110V CONNECTIONS SCHEME

