

GATE OPERATOR



Installation and Operating Manual

GENERAL INFORMATION	1
TOOLS NEEDED	1
TECHNICAL DATA	1
DIMENSIONS	2
INSTALLING VARIANTS	2
PACKAGE	2
MOUNTING AND INSTALLING OF OPERATOR	3
ADJUSTMENT OF LIMITS	5
EMERGENCY RELEASE OF MOTOR	6

1. GENERAL INFORMATION

1.1. PREPARATION

- Read carefully this manual.
- Check the product for damage after transport.
- Check the gate structural strength and smooth travel of gate leaves.
- The gate leaves must move without jamming.
- Prepare the gate before the installation of the automation. The gate must meet the requirements including installing of mechanical stops.
- Check compliance of the supply mains characteristics with the requirements specified in this manual.
- All metal parts of the operator and the gate must have reliable earth connection.
- Check operation of the manual emergency release.

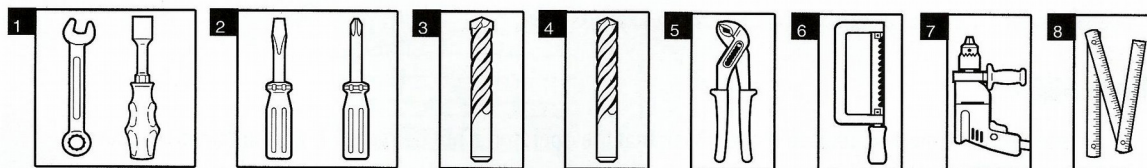
1.2. BASIC SAFETY RULES



Correct installation and use of the operator will ensure its safety. To avoid difficulty at operation, follow the fundamental operating rules

- Do not go through the moving gate. Wait until full opening of the gate and only then go through the gate.
- Do not block up the gate aperture.
- Keep people and children away from the automated systems. No one should cross the path of the moving gate.
- Keep the remote controls away from children and outsiders to avoid unauthorized starting of the gate.
- Never let children play with the automation.
- Do not obstruct moving of gate leaves.
- No branches and shrubs shall be within the gate moving area as they can impede moving of gate leaves.
- The signal lamps must be placed where easily visible and kept clean.
- Do not try to move the gate leaves if the operator is blocked.
- In the event of automation failure, release the operator to enable free pass and call repair specialists.
- After change of operation mode, turn off power supply of the system before manual restoration of the gate's normal position.
- Do not make any alterations in the automated system.
- Do not make modernization or adjustment of the automated system. Call the qualified specialist to do that.
- For efficient work of the automated system, its safety devices and earth connection must be checked at least once a half year.

2. TOOLS NEEDED

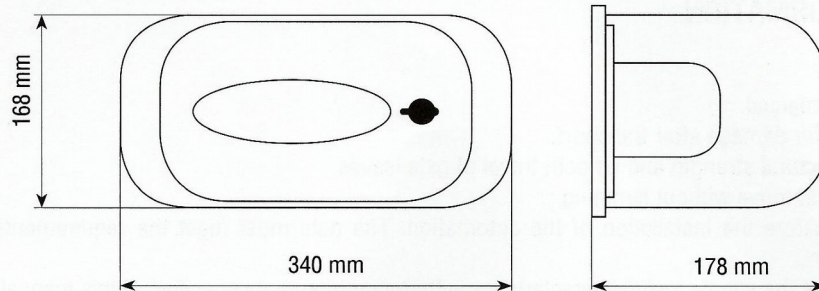


- | | |
|---|--------------------------------|
| 1. Set of spanners | 5. Pliers |
| 2. Set of cross and straight-blade screwdrivers | 6. Hacksaw for metal |
| 3. Set of drill bits for metal | 7. Electric drill |
| 4. Set of drill bits for concrete | 8. Tape measure (folding rule) |

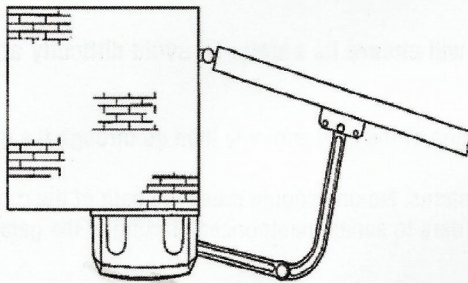
3. TECHNICAL DATA

Weight, kg	Supply voltage, V	Rated current, A	Power, W	Use intensity, %	Torque, Nm	Capacitor, mF
14	220	1.3	150	30	320	10

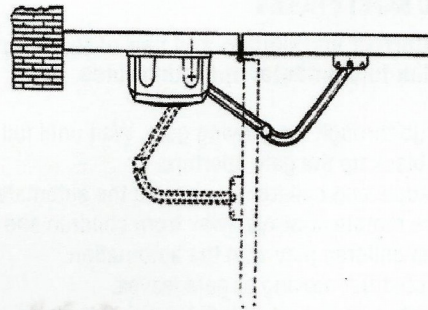
4. DIMENSIONS



5. INSTALLING VARIANTS



Behind-column installation



On-leaf installation

5.1. REQUIREMENTS

Leaf width, m	Leaf weight, m
2	800
2.50	600
3	500
3.50	450
4	400

It is recommended to use an electric lock if leaf width exceeds 2.50.

6. PACKAGE

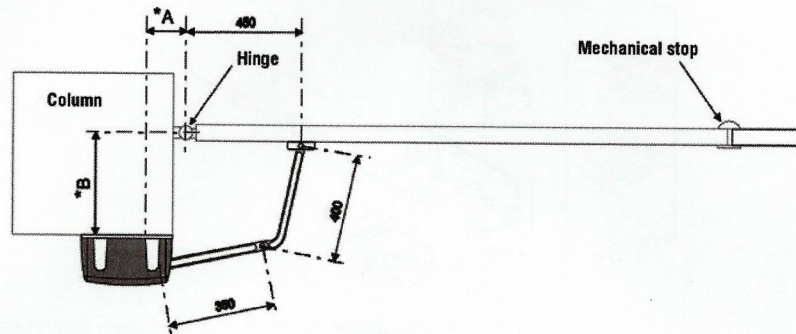
When you receive your operator, unpack it and check that the operator is not damaged. If any damages are found, contact the supplier of the operator.

Standard package

No.	Name	Q-ty
1	Electric operator	1
2	Fastening set	1
3	User manual	1

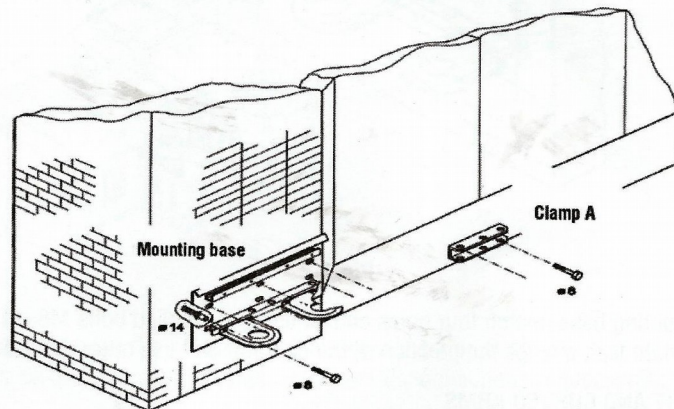
7. MOUNTING AND INSTALLING OF OPERATOR

7.1. BEFORE INSTALLING

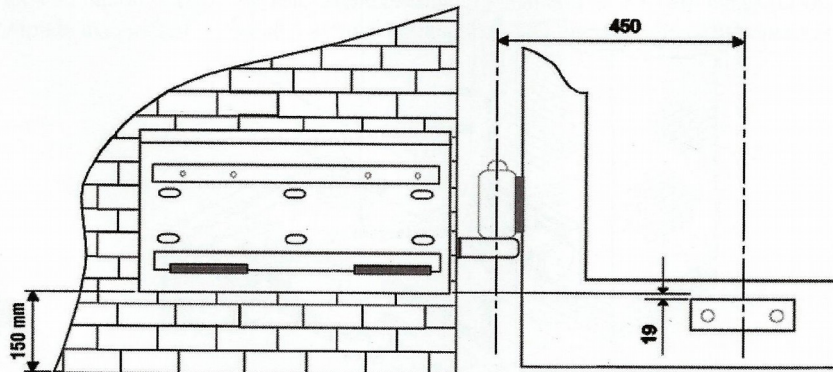


If Dimension B is 0–300 mm, Dimension A must not be less than 110 mm.
If Dimension B is 300–380 mm, Dimension A must not be less than 150 mm.

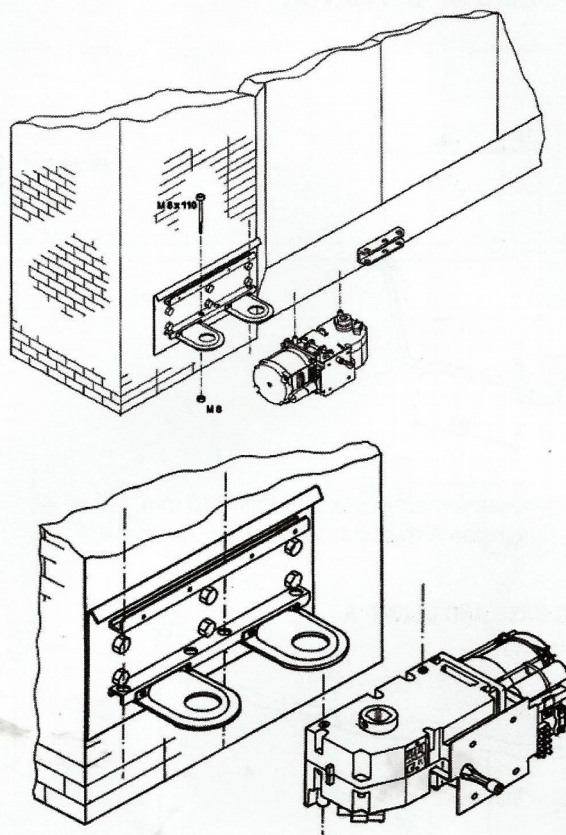
7.2. INSTALLING OF MOUNTING BASE AND CLAMP A



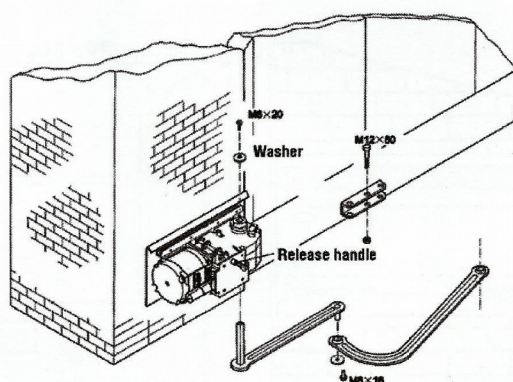
Front view



Use bolts $\varnothing 8$ and anchors $\varnothing 14$ mm to mount a mounting base on the pole.
Mounting base should be placed at a distance of not less than 150 mm from the ground.
Fix the clamp A on the gate leaf (use bolts $\varnothing 8$ or welding). The clamp A should be placed at a distance of 450 mm from hinge, horizontally, and 19 mm from mounting base installed on the pole, vertically (see picture).

7.3. INSTALLING OF OPERATOR**Pic. 1**

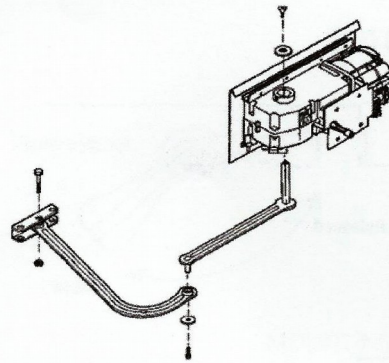
Install the operator on the mounting base: match four holes and fix using 2 supplied bolts M8×110 mm.
To install the operator on the right leaf, change the position of the operator and use other two pairs of holes (see Picture 1).

7.4. INSTALLING OF STRAIGHT AND CURVED ARMS

Insert the straight arm in the driving shaft of the reducer. Level the ends of the shaft and of the arm, fix the washer using screw M6×20 and fix the axis of the arm using 2 pairs of lock screws.

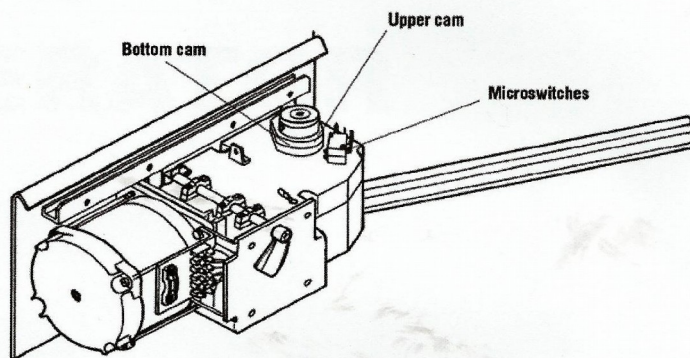
Connect 2 arms using screw M8×16 and washer. Unblock the reducer by turning the handle clockwise and secure the curved arm to the clamp A using screw M12×50 and nut M12.

When installing the operator on the right leaf, follow the installation procedure showed in Picture 2.



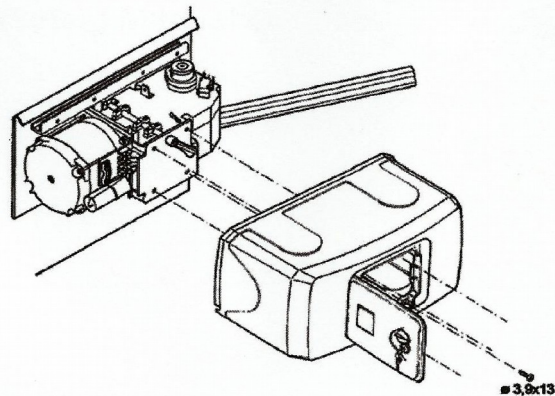
Pic. 2

8. ADJUSTMENT OF LIMITS

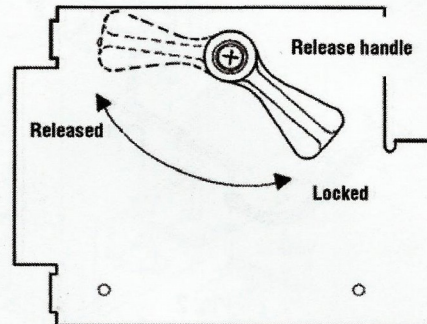


- 1) Unblock the reducer and open the gate leaf until the necessary position.
- 2) Turn the upper cam on the reducer shaft until actuation (disconnection) of microswitch. Close the leaf and fix the cam using screw.
- 3) Unblock the reducer and close the gate leaf leaving 100 mm before completely closed position. Turn the bottom cam of reducer until actuation of (closing) microswitch. Open the leaf and fix the cam using screw.

After you complete installation, make all electrical connections and adjustments of the operator, put on the cover fixing it with 4 bolts.



9. EMERGENCY RELEASE OF MOTOR



Emergency release is used to release the motor in case of power cut.
To release the motor, turn the handle by 90 degrees.

ATTENTION!!! Release the motor only if the power supply is off.