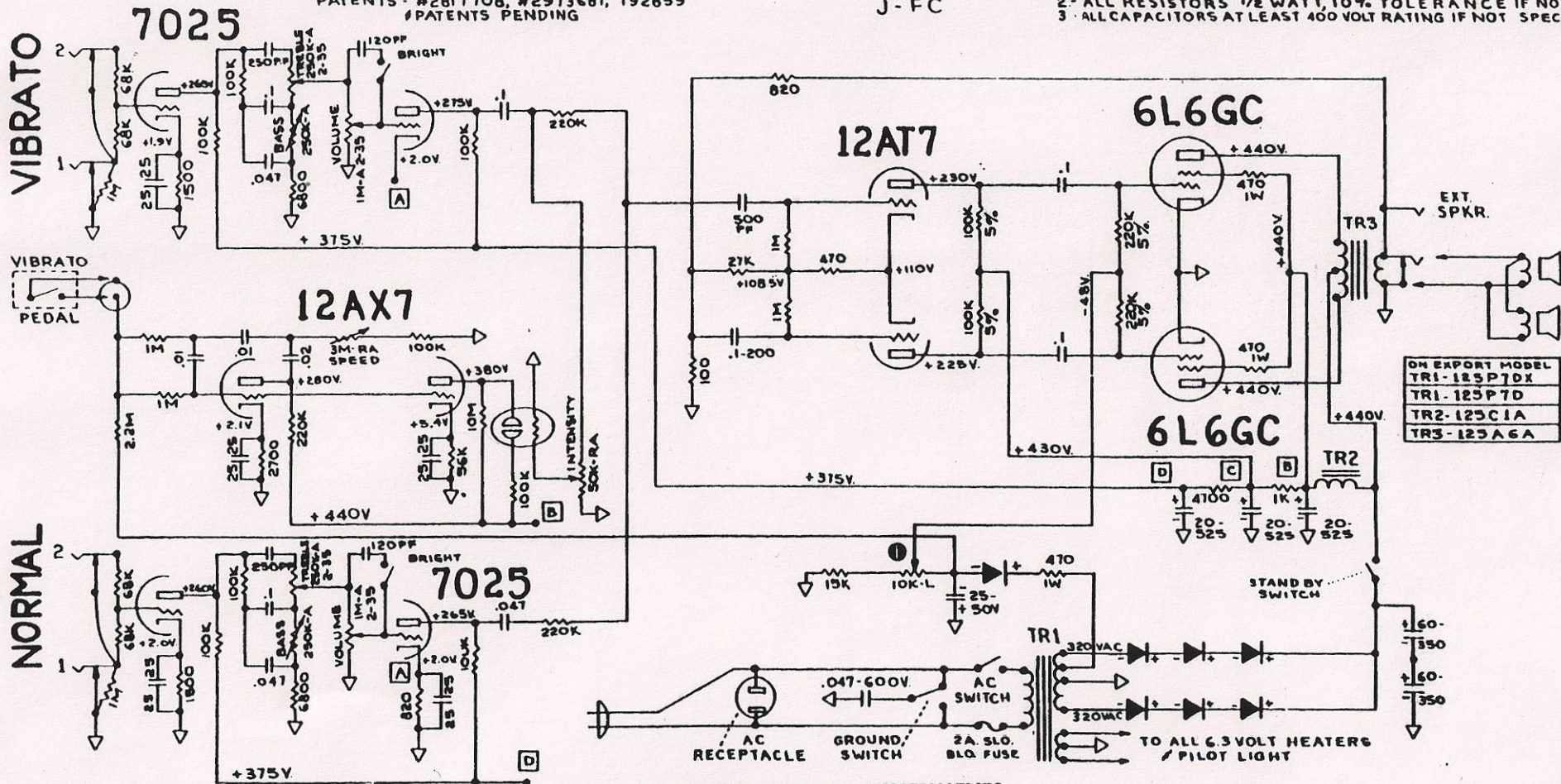


FENDER "BANDMASTER-AMP AA763" SCHEMATIC ^{P/B} NOTICE

THIS PRODUCT MANUFACTURED UNDER
 ONE OR MORE OF THE FOLLOWING U.S.
 PATENTS - #2817708, #2973681, 192859
 PATENTS PENDING

J-FC

- 1- VOLTAGES READ TO GROUND WITH ELECTRONIC VOLT METER
 VALUES SHOWN + OR - 20%
- 2- ALL RESISTORS 1/2 WATT, 10% TOLERANCE IF NOT SPECIFIED
- 3- ALL CAPACITORS AT LEAST 400 VOLT RATING IF NOT SPECIFIED



ON EXPORT MODEL
TR1-125P10X
TR1-125P7D
TR2-125C1A
TR3-125A6A

FENDER MUSICAL INSTRUMENTS
 A DIVISION OF COLUMBIA RECORDS DISTRIBUTION CORP.
 SANTA ANA, CALIFORNIA
 U.S.A.