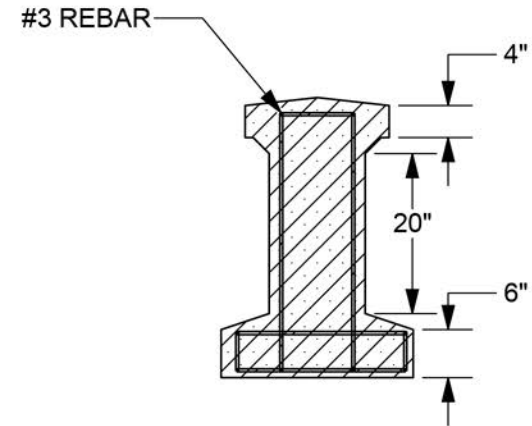
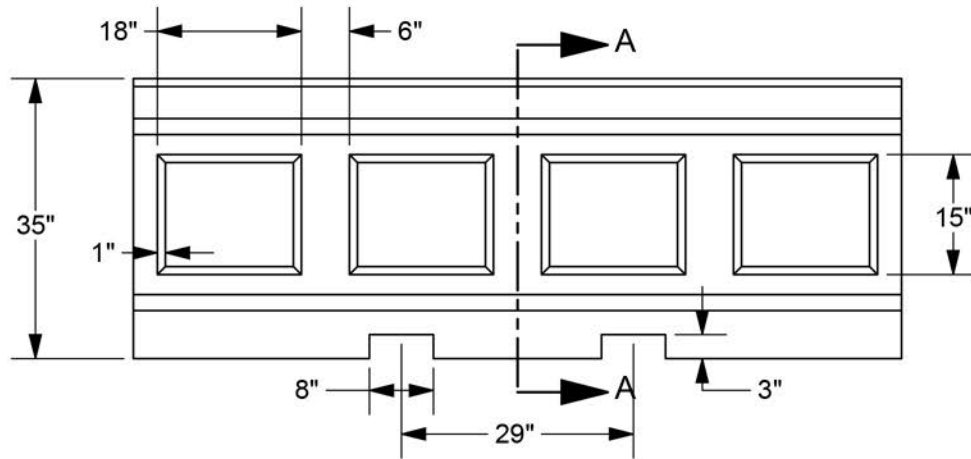
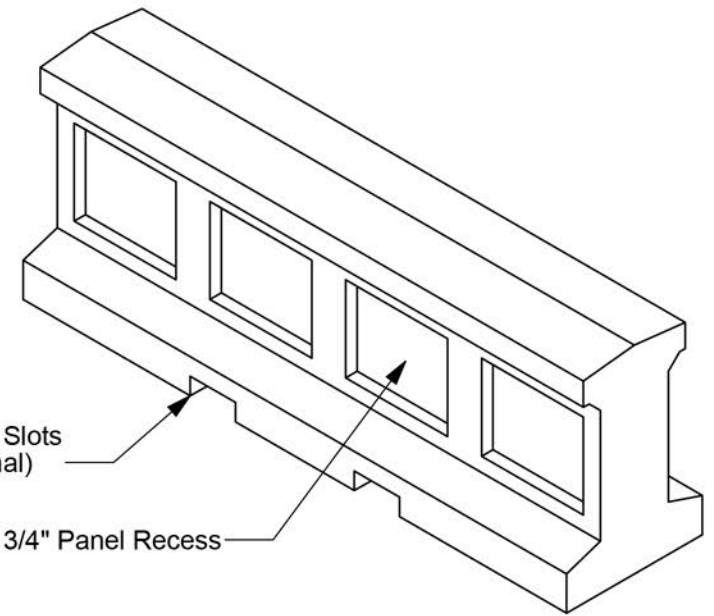
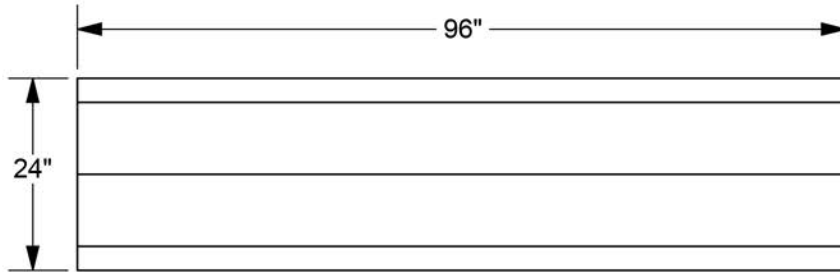


PART# : 500-0596  
 MODEL: TYPE4A96SE  
 WEIGHT: 4192 LBS  
 MATERIAL: CONCRETE



SECTION A-A  
 SCALE 1 : 24