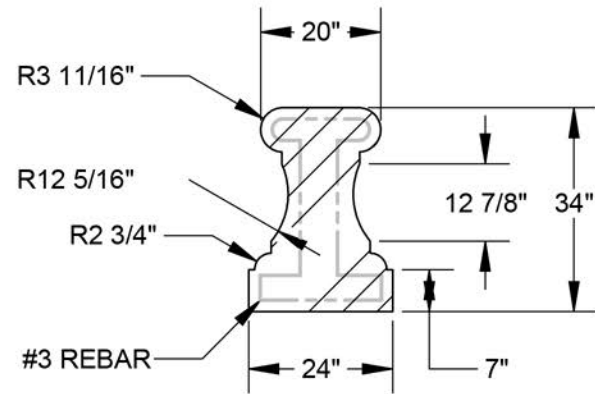
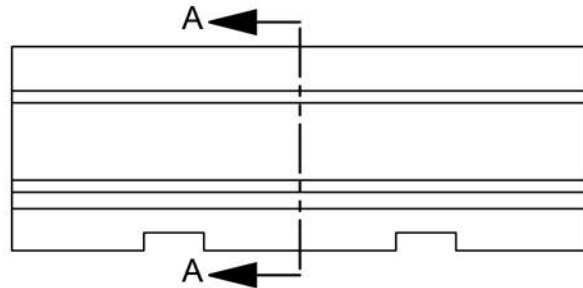
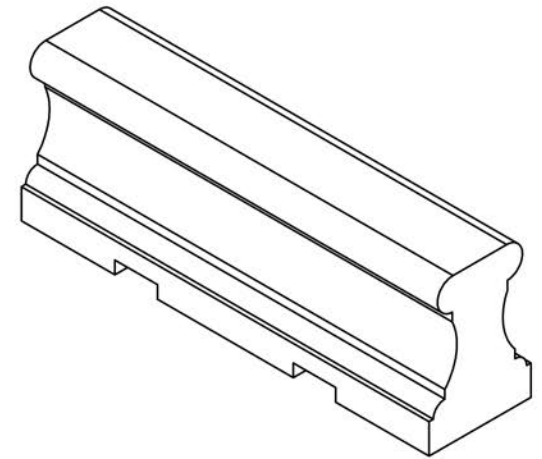


PART# : 500-0996  
MODEL: TYPE2SE96  
WEIGHT: 4859 LBS  
MATERIAL: CONCRETE



SECTION A-A

