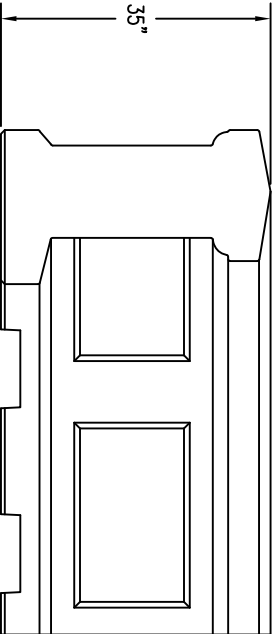
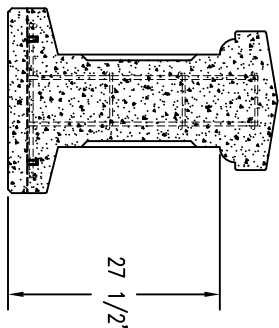


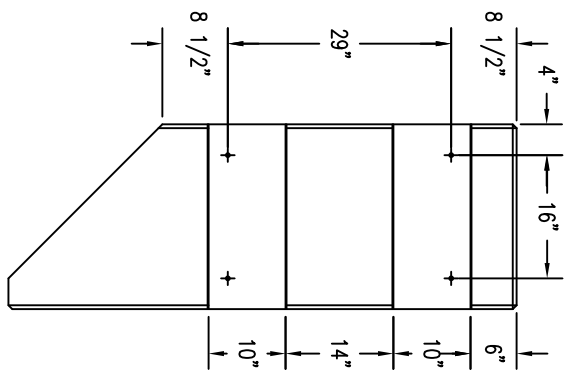
1 TOP VIEW



2 ELEVATION VIEW



4 CROSS SECTION



3 BOTTOM VIEW



MANUFACTURED BY  
**GREEN CONTROL**  
 WAREHOUSE

**REVISIONS**

NAME	DATE	NOTES
1		
2		
3		
4		
5		
6		
7		
8		

THESE DRAWING SPECIFICATIONS AND OTHER INFORMATION ARE THE CONFIDENTIAL AND PROPRIETARY PROPERTY OF WANSU TILE, INC. THE DRAWINGS HEREIN SHALL BELONG TO THE COMPANY AND SHALL REMAIN THE PROPERTY OF WANSU TILE, INC. THE PROPRIETARY INFORMATION CONTAINED HEREIN IS NOT TO BE REPRODUCED OR TRANSMITTED IN ANY FORM OR BY ANY MEANS, ELECTRONIC OR MECHANICAL, WITHOUT THE WRITTEN APPROVAL OF WANSU TILE, INC. THE PROPRIETARY INFORMATION CONTAINED HEREIN IS THE SOLE PROPERTY OF WANSU TILE, INC.

JOB NAME  
 ADDRESS  
 CITY, STATE ZIP

UNLESS OTHERWISE SPECIFIED  
 DIMENSIONS ARE IN INCHES  
 FINISHES 3/16"

DRAWN BY: SK  
 DATE: 6/29/15  
 CD NUMBER: 7  
 WEIGHT: 2,400 LBS

PRODUCT NO.  
**TF 6221**