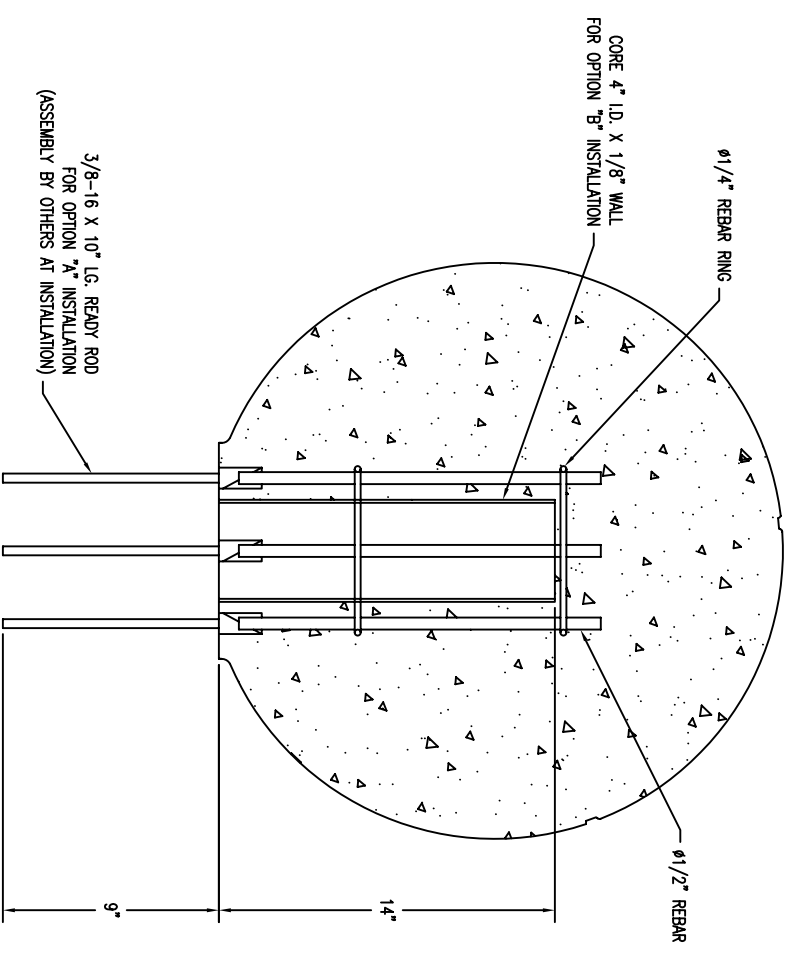
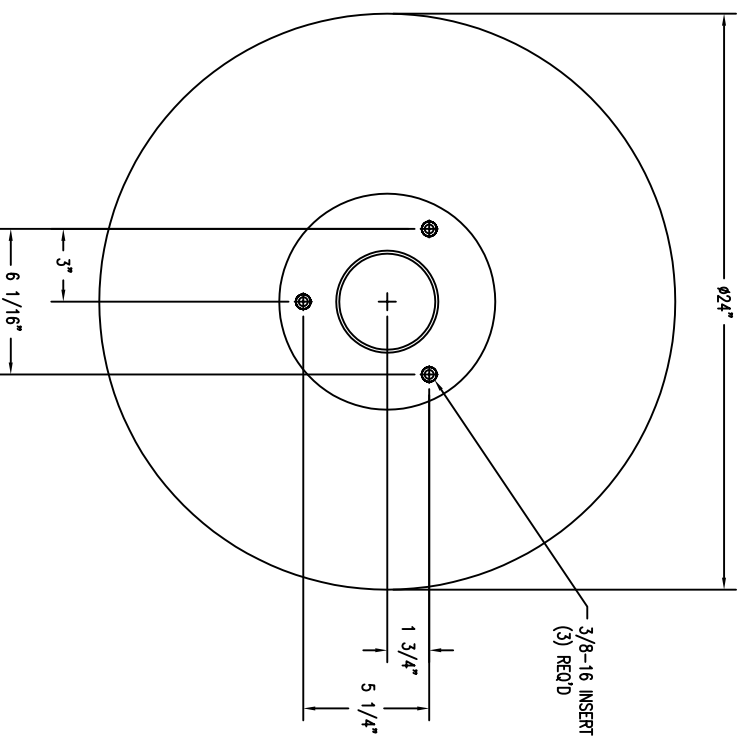


ELEVATION VIEW



SECTION VIEW



BOTTOM VIEW



MANUFACTURED BY:
CW CROWD CONTROL
 WAREHOUSE

REVISIONS			DRAWN BY			JOB		MATERIAL	
NO.	DATE	BY	NO.	DATE	BY	TITLE	JOB NO.	WEIGHT	CONCRETE
1			4			24" TENNIS BALL BOLLARD		750 LBS.	
2			5			SCALE 1/4	UNLESS OTHERWISE SPECIFIED DIMENSIONS ARE IN INCHES FINISHES ARE IN NOTES		YELLOW W/WHITE
3			6				2 FT. DIA. 3 FT. DIA.		TF62713