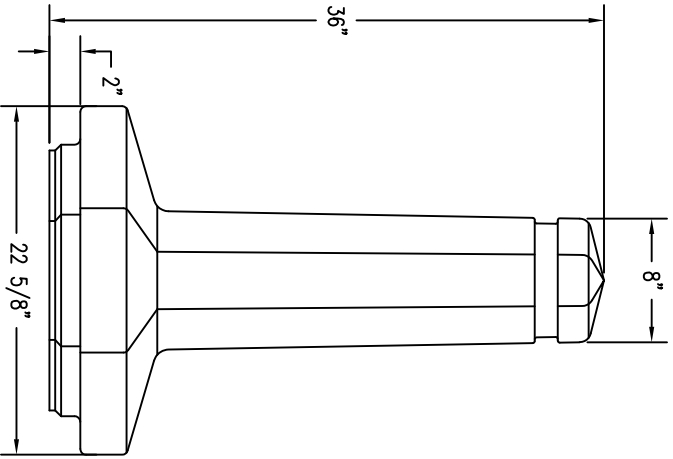
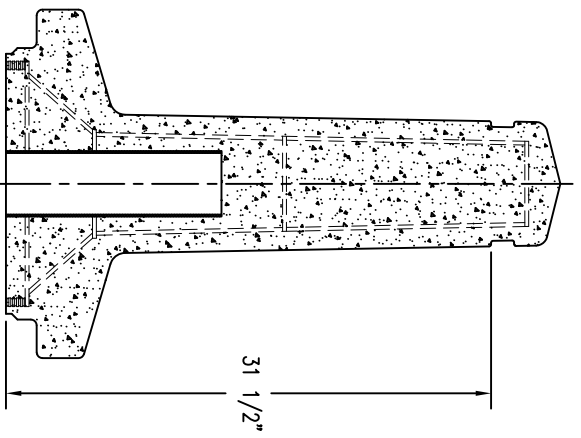


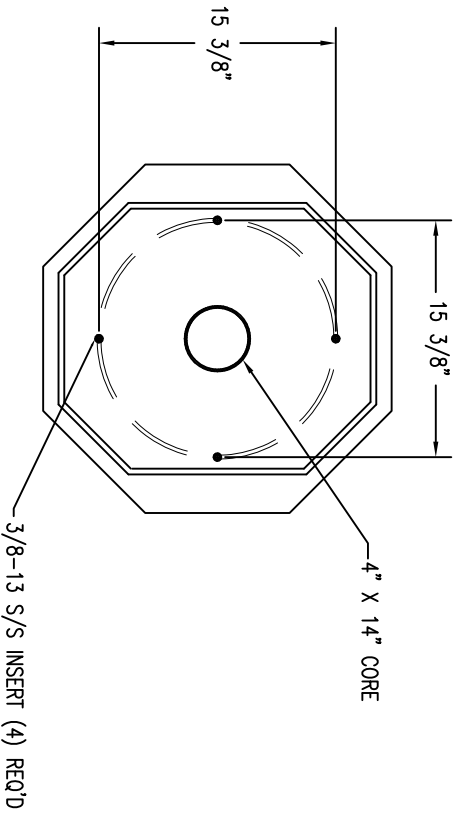
1 TOP VIEW



2 ELEVATION VIEW



4 CROSS SECTION



3 BOTTOM VIEW



REVISIONS

NAME	DATE	NOTES
1		
2		
3		
4		
5		
6		
7		
8		

THESE DRAWINGS, SPECIFICATIONS AND OTHER INFORMATION ARE THE PROPERTY OF WALSU TILE, INC. THE DRAWINGS HEREIN SHALL BELONG TO THE OWNER AND SHALL REMAIN THE PROPERTY OF WALSU TILE, INC. THE PROPRIETARY INFORMATION CONTAINED HEREIN IS THE SOLE PROPERTY OF WALSU TILE, INC.

JOB NAME
ADDRESS
CITY, STATE ZIP

UNLESS OTHERWISE SPECIFIED
DIMENSIONS ARE IN INCHES
FINISHES: 4/16"

DRAWN BY: SK
DATE: 6/16/15
CD NUMBER: 7
WEIGHT: 315 LBS

PRODUCT NO.
TF 6097