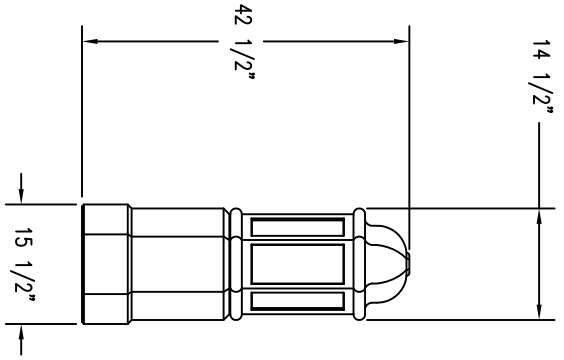
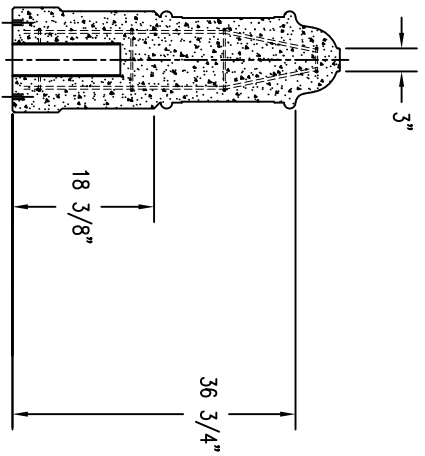


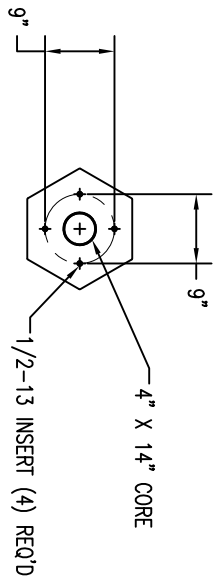
1 TOP VIEW



2 ELEVATION VIEW



4 CROSS SECTION



3 BOTTOM VIEW



MANUFACTURED BY
WALSU TILE, INC.
 GREENSBORO, NC

REVISIONS

NO.	NAME	DATE	NOTES
1			
2			
3			
4			
5			
6			
7			
8			

THESE DRAWINGS, SPECIFICATIONS AND OTHER INFORMATION ARE THE PROPERTY OF WALSU TILE, INC. THE DRAWINGS AND SPECIFICATIONS SHALL BE THE PROPERTY OF WALSU TILE, INC. THE PROPRIETARY INFORMATION CONTAINED HEREIN IS THE PROPERTY OF WALSU TILE, INC. ANY REPRODUCTION OR TRANSMISSION OF THIS INFORMATION WITHOUT THE WRITTEN APPROVAL OF WALSU TILE, INC. IS STRICTLY PROHIBITED.

JOB NAME
 ADDRESS
 CITY, STATE ZIP

UNLESS OTHERWISE SPECIFIED
 DIMENSIONS ARE IN INCHES
 FINISHES AS SHOWN

DRAWN BY: SK
 DATE: 6/18/15
 CD NUMBER: 7
 WEIGHT: 300 LBS

PRODUCT NO.
TF 6092