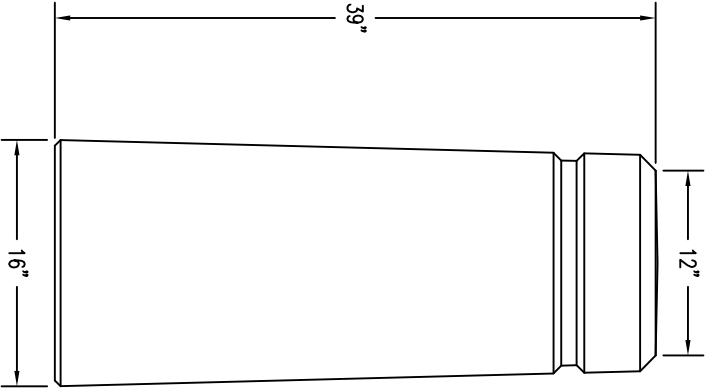
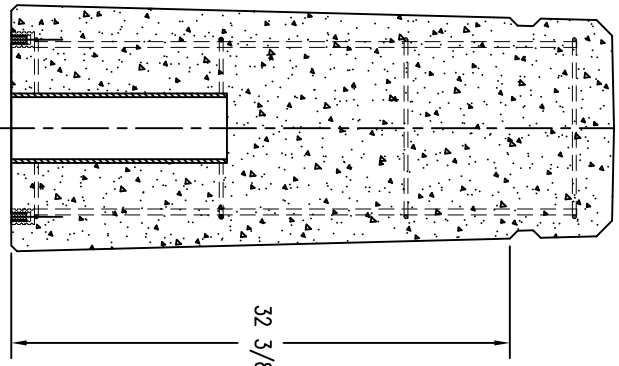


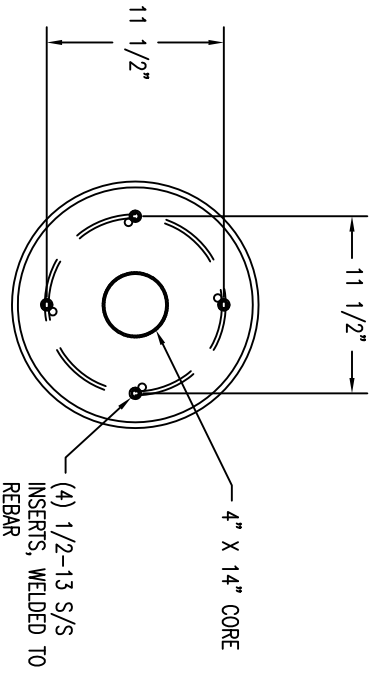
1 TOP VIEW



2 ELEVATION VIEW



4 CROSS SECTION



3 BOTTOM VIEW



MANUFACTURED BY  
GEORGE SCHLITZ  
WAREHOUSES

REVISIONS

NAME	DATE	NOTES
1		
2		
3		
4		
5		
6		
7		
8		

THESE DRAWING SPECIFICATIONS AND OTHER INFORMATION ARE THE PROPERTY OF WALSU TILE, INC. THE DRAWINGS HEREIN SHALL BELO...  
ANY ADDITIONAL USE SHALL REQUIRE THE PRIOR WRITTEN APPROVAL OF WALSU TILE, INC. THE PROPRIETARY INFORMATION CONTAINED HEREIN IS THE BUSINESS AND THE SOLE PROPERTY OF WALSU TILE, INC.

JOB NAME  
ADDRESS  
CITY, STATE ZIP

UNLESS OTHERWISE SPECIFIED  
DIMENSIONS ARE IN INCHES  
FINISHES 3/16"

DRAWN BY: SK  
DATE: 6/17/15  
CO NUMBER: F  
WEIGHT: 600 LBS

PRODUCT NO.  
TF 6066