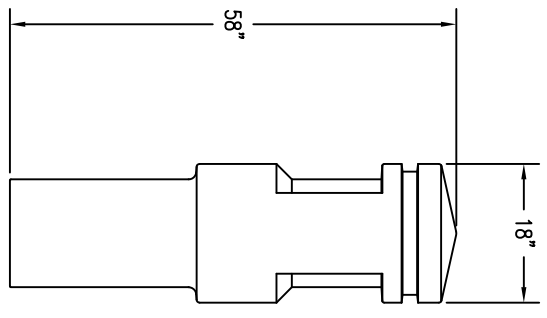
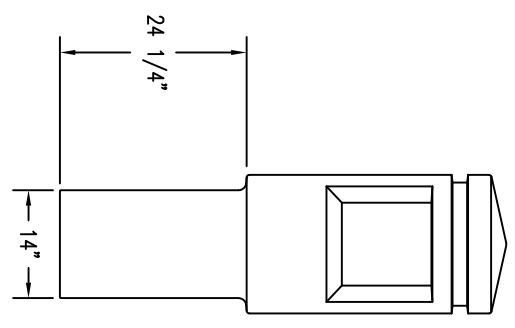


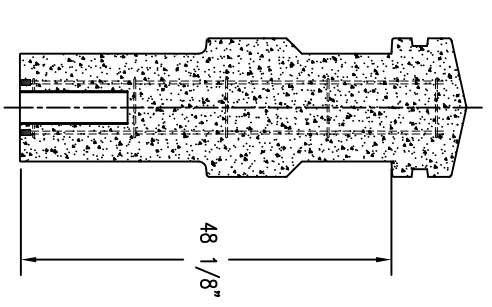
2 TOP VIEW



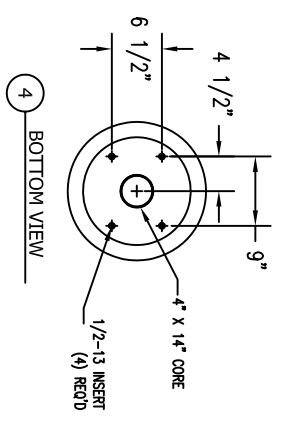
1 SIDE ELEVATION VIEW



3 FRONT ELEVATION VIEW



5 CROSS SECTION



4 BOTTOM VIEW

REVISIONS		
NAME	DATE	NOTES
1		
2		
3		
4		
5		
6		
7		
8		

THESE DRAWING SPECIFICATIONS AND OTHER INFORMATION ARE THE PROPERTY OF WANSU TILE, INC. THE DRAWINGS HEREIN SHALL BELOING TO THE OWNER AND SHALL BE KEPT IN CONFIDENTIAL AND PROPRIETARY PROPERTY OF WANSU TILE, INC. ANY ADDITIONAL USE SHALL REQUIRE THE PRIOR WRITTEN APPROVAL OF WANSU TILE, INC. THE PROPRIETARY INFORMATION CONTAINED HEREIN IS UNCLASSIFIED AND IS THE SOLE PROPERTY OF WANSU TILE, INC.



JOB NAME
ADDRESS
CITY, STATE ZIP

UNLESS OTHERWISE SPECIFIED
DIMENSIONS ARE IN INCHES
FRACTIONS 1/8"

DRAWN BY: SK
DATE: 6/17/15
CD NUMBER: F
WEIGHT: 990 LBS

PRODUCT NO.
TF 6055