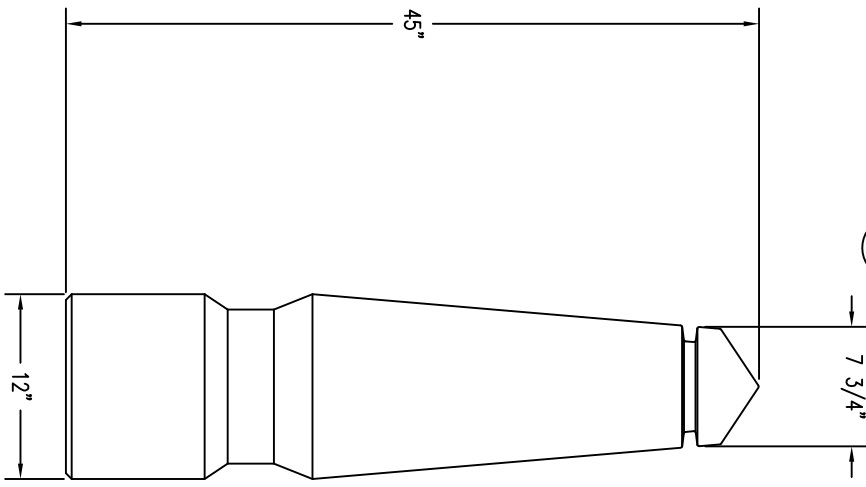
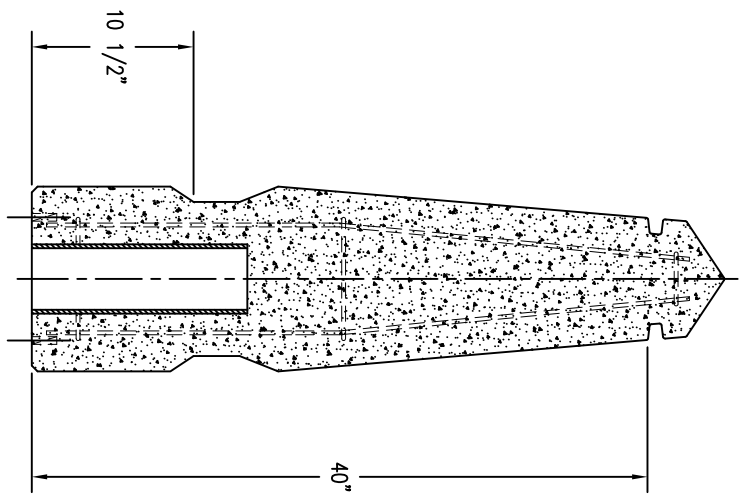


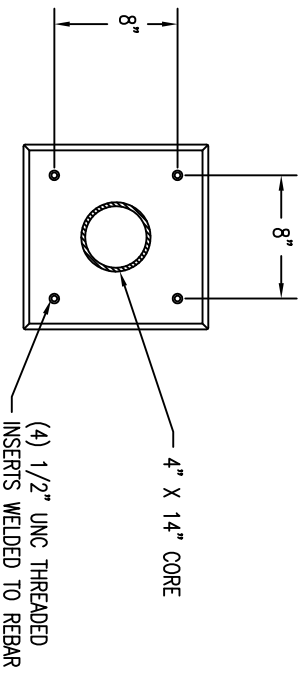
1 TOP VIEW



2 ELEVATION VIEW



4 CROSS SECTION



3 BOTTOM VIEW

THESE DRAWINGS, SPECIFICATIONS AND OTHER INFORMATION ARE THE SOLE PROPERTY OF WALSU TILE, INC. THE DRAWINGS AND ACCOMPANYING THEM ARE THE CONFIDENTIAL AND PROPRIETARY PROPERTY OF WALSU TILE, INC. THE DRAWINGS HEREIN SHALL BELONG TO THE COMPANY AND SHALL REMAIN THE PROPERTY OF WALSU TILE, INC. THE PROPRIETARY INFORMATION CONTAINED HEREIN IS UNCLASSIFIED AND NOT CONTROLLED BY WALSU TILE, INC. THE PROPRIETARY INFORMATION OF WALSU TILE, INC.

REVISIONS		
NAME	DATE	NOTES
1		
2		
3		
4		
5		
6		
7		
8		



JOB NAME
ADDRESS
CITY, STATE ZIP

UNLESS OTHERWISE SPECIFIED
DIMENSIONS ARE IN INCHES
FINISHES: 3/16"

DRAWN BY: SK
DATE: 6/22/15
CD NUMBER: 7
WEIGHT: 475 LBS

PRODUCT NO.
TF 6038