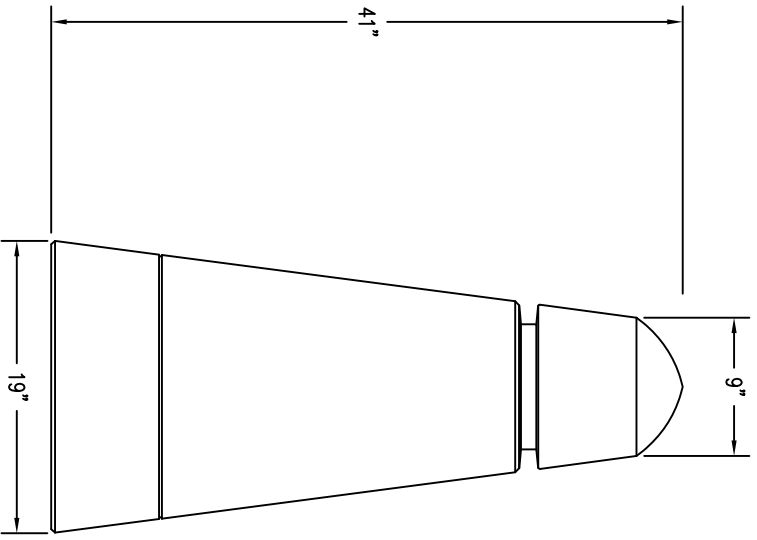
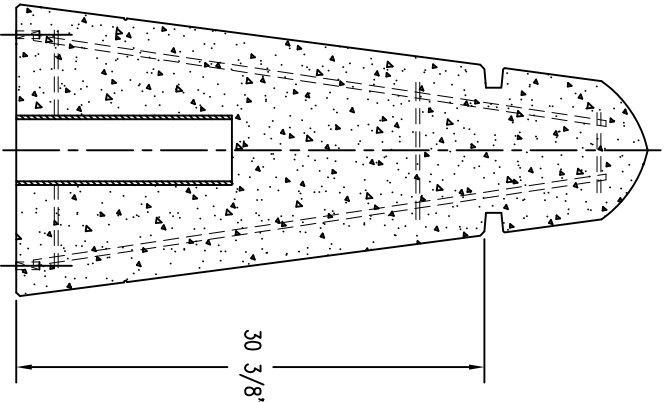


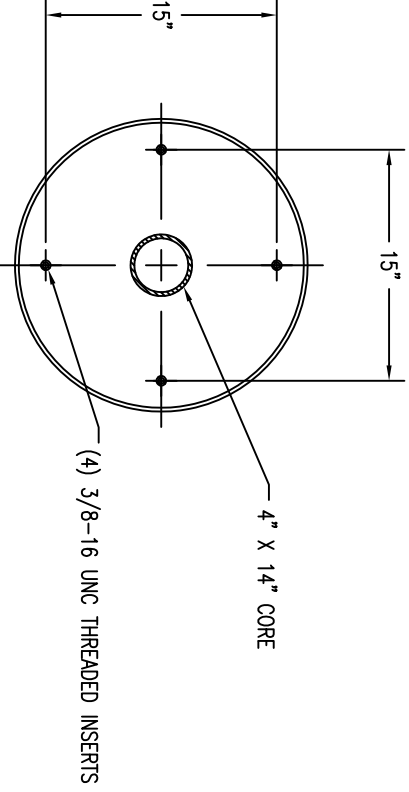
1 TOP VIEW



2 ELEVATION VIEW



4 CROSS SECTION



3 BOTTOM VIEW

REVISIONS

NAME	DATE	NOTES
1		
2		
3		
4		
5		
6		
7		
8		

THESE DRAWING SPECIFICATIONS AND OTHER INFORMATION ARE THE PROPERTY OF WALSOU TILE, INC. THE DRAWINGS HEREIN SHALL BELOING TO THE COMPANY FROM WHICH THEY ARE OBTAINED. ANY ADDITIONAL USE SHALL REQUIRE THE PRIOR WRITTEN APPROVAL OF WALSOU TILE, INC. THE PROPRIETARY INFORMATION CONTAINED HEREIN IS UNCLASSIFIED AND IS THE SOLE PROPERTY OF WALSOU TILE, INC.



JOB NAME  
ADDRESS  
CITY, STATE ZIP

UNLESS OTHERWISE SPECIFIED  
DIMENSIONS ARE IN INCHES  
FINISHES: 3/16"

DRAWN BY: SK  
DATE: 6/15/15  
CD NUMBER: 7  
WEIGHT: 465 LBS

PRODUCT NO.  
TF 6033