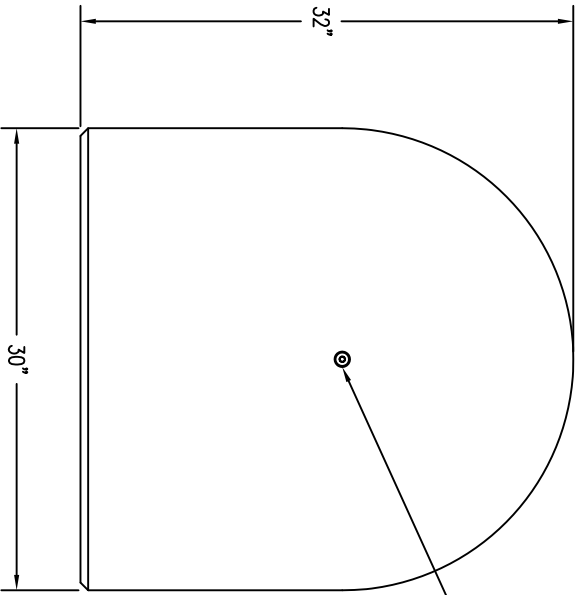
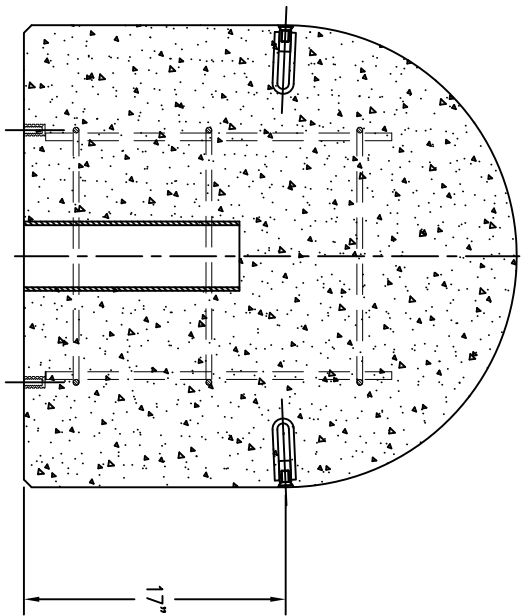


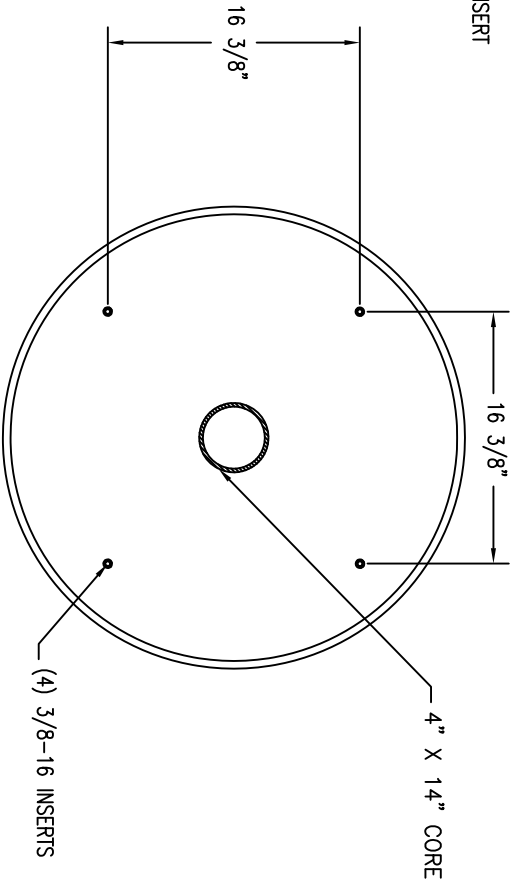
1 TOP VIEW



2 ELEVATION VIEW



4 CROSS SECTION



3 BOTTOM VIEW



MANUFACTURED BY
WALSU TILE, INC.
 WAREHOUSES

REVISIONS		
NO.	DATE	NOTES
1		
2		
3		
4		
5		
6		
7		
8		

THESE DRAWING SPECIFICATIONS AND OTHER INFORMATION ARE THE PROPERTY OF WALSU TILE, INC. THE DRAWINGS HEREIN SHALL BELONG TO THE COMPANY AND SHALL REMAIN THE PROPERTY OF WALSU TILE, INC. WITHOUT ANY ADDITIONAL USE SHALL REQUIRE THE PRIOR WRITTEN APPROVAL OF WALSU TILE, INC. THE PROPRIETARY INFORMATION CONTAINED HEREIN IS THE BUSINESS AND THE SOLE PROPERTY OF WALSU TILE, INC.

JOB NAME
 ADDRESS
 CITY, STATE ZIP

UNLESS OTHERWISE SPECIFIED
 DIMENSIONS ARE IN INCHES
 FINISHES 4/16"

DRAWN BY: SK
 DATE: 6/23/15
 CD NUMBER: 7
 WEIGHT: 1610 LBS

PRODUCT NO.
TF 6011