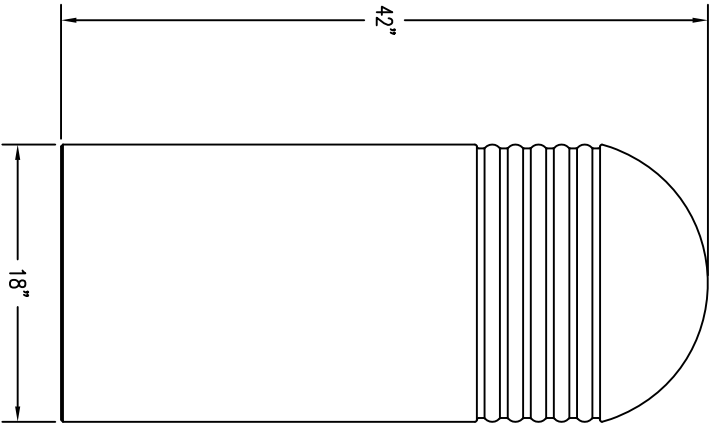
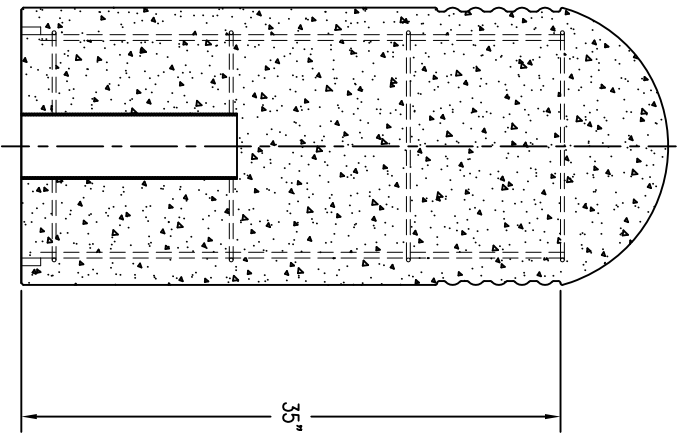


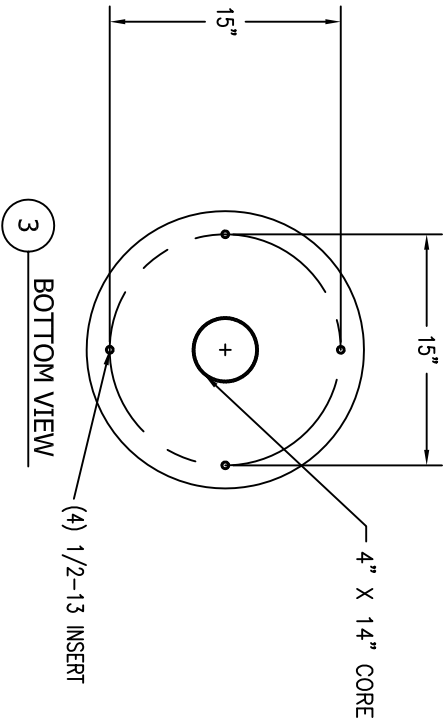
1 TOP VIEW



2 FRONT VIEW



4 CROSS SECTION



3 BOTTOM VIEW



MANUFACTURED BY  
GREEN RESERVE  
CROSS CONTROL  
WABEHOUSE

REVISIONS		
NAME	DATE	NOTES
1		
2		
3		
4		
5		
6		
7		
8		

THESE DRAWING SPECIFICATIONS AND OTHER INFORMATION ARE THE PROPERTY OF WALSU TILE, INC. THE DRAWINGS HEREIN SHALL BELOING TO THE COMPANY AND SHALL REMAIN THE PROPERTY OF WALSU TILE, INC. ANY ADDITIONAL USE SHALL REQUIRE THE PRIOR WRITTEN APPROVAL OF WALSU TILE, INC. THE PROPRIETARY INFORMATION CONTAINED HEREIN IS THE BUSINESS AND THE SOLE PROPERTY OF WALSU TILE, INC.

JOB NAME  
ADDRESS  
CITY, STATE ZIP

UNLESS OTHERWISE SPECIFIED  
DIMENSIONS ARE IN INCHES  
FINISHES 3/16"  
DRAWN BY: SK  
DATE: 6/22/15  
CD NUMBER: 7  
WEIGHT: 800 LBS  
PRODUCT NO.  
TF 6009