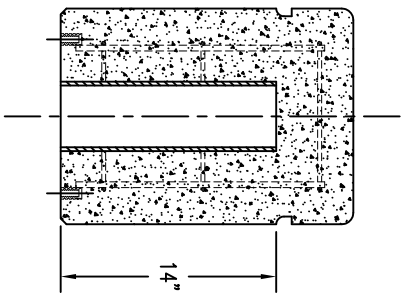
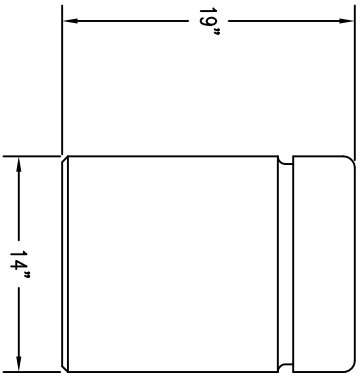


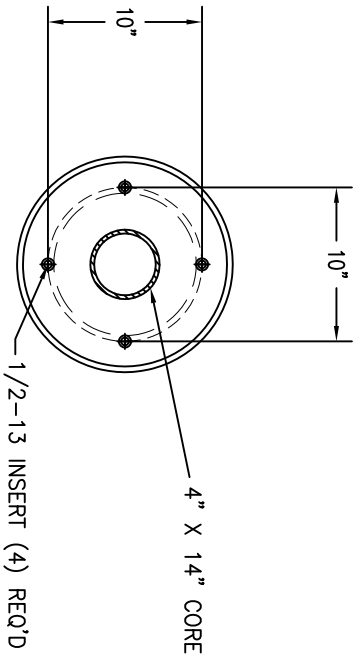
1 TOP VIEW



4 CROSS SECTION



2 ELEVATION VIEW



3 BOTTOM VIEW



MANUFACTURED BY  
GREENLEE  
CORPORATION  
WARRINGTON

REVISIONS		
NAME	DATE	NOTES
1		
2		
3		
4		
5		
6		
7		
8		

THESE DRAWING SPECIFICATIONS AND OTHER INFORMATION ARE THE PROPERTY OF WALSU TILE, INC. THE DRAWINGS HEREIN SHALL BELONG TO THE OWNER AND SHALL BE RETURNED TO THE OWNER UPON REQUEST. ANY ADDITIONAL USE SHALL REQUIRE THE PRIOR WRITTEN APPROVAL OF WALSU TILE, INC. THE PROPRIETARY INFORMATION CONTAINED HEREIN IS THE BUSINESS AND THE SOLE PROPERTY OF WALSU TILE, INC.

JOB NAME

ADDRESS  
CITY, STATE ZIP

UNLESS OTHERWISE SPECIFIED  
DIMENSIONS ARE IN INCHES  
FRACTIONS 1/16"

DRAWN BY: SK
DATE: 6/10/15
CD NUMBER: 7
WEIGHT: 290 LBS
PRODUCT NO.
TF 6000