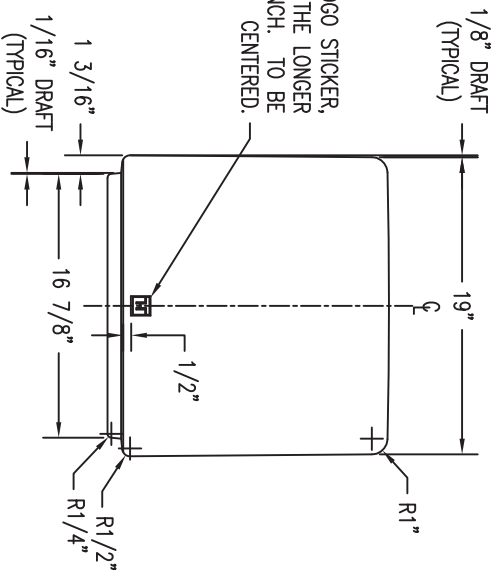
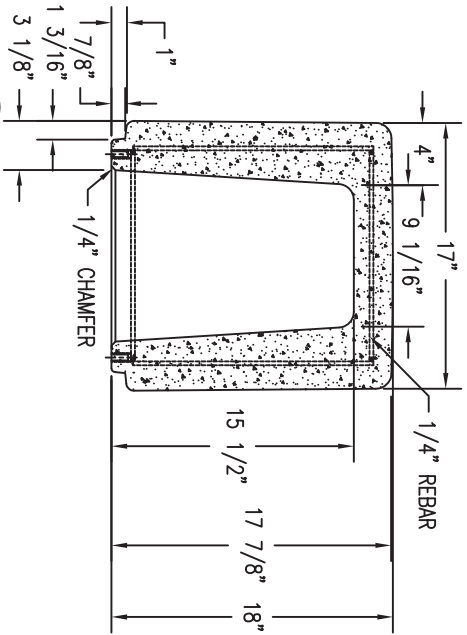


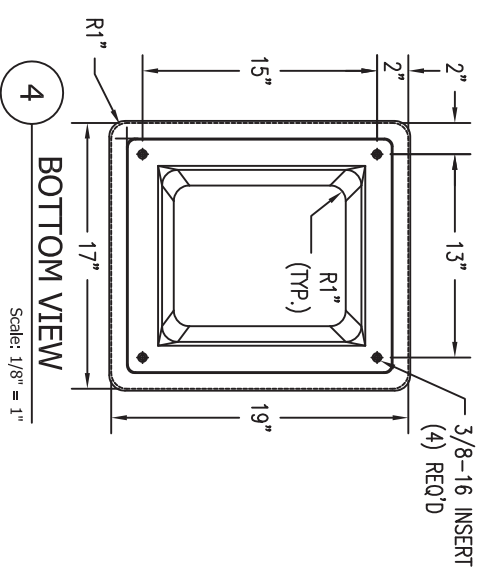
1 TOP VIEW
Scale: 1/8" = 1"



2 ELEVATION VIEW
Scale: 1/8" = 1"



3 SECTION VIEW
Scale: 1/8" = 1"



4 BOTTOM VIEW
Scale: 1/8" = 1"

(1) WAUSAU TILE LOGO STICKER, ONLY ON ONE OF THE LONGER SIDES OF THE BENCH, TO BE CENTERED.



MANUFACTURED BY:
CROWD CONTROL WAREHOUSE

REVISIONS				DRAWN BY		JOB		MATERIAL	
NO.	DATE	BY	NO.	DATE	BY	JOB NO.	LOCATION	WEIGHT	CONCRETE
1	5/6/09	MJS	4	5/4/10	PAW			350 LBS	
2	5/8/09	MJS	5						
3	3/23/10	MJS	6						

SCALE		JOB		DATE		ITEM NO.	
AS NOTED		MJS		11/21/08		TF5206	
FINISH OPTIONS				UNLESS OTHERWISE SPECIFIED DIMENSIONS ARE IN INCHES TOLERANCES: ±1/8"			