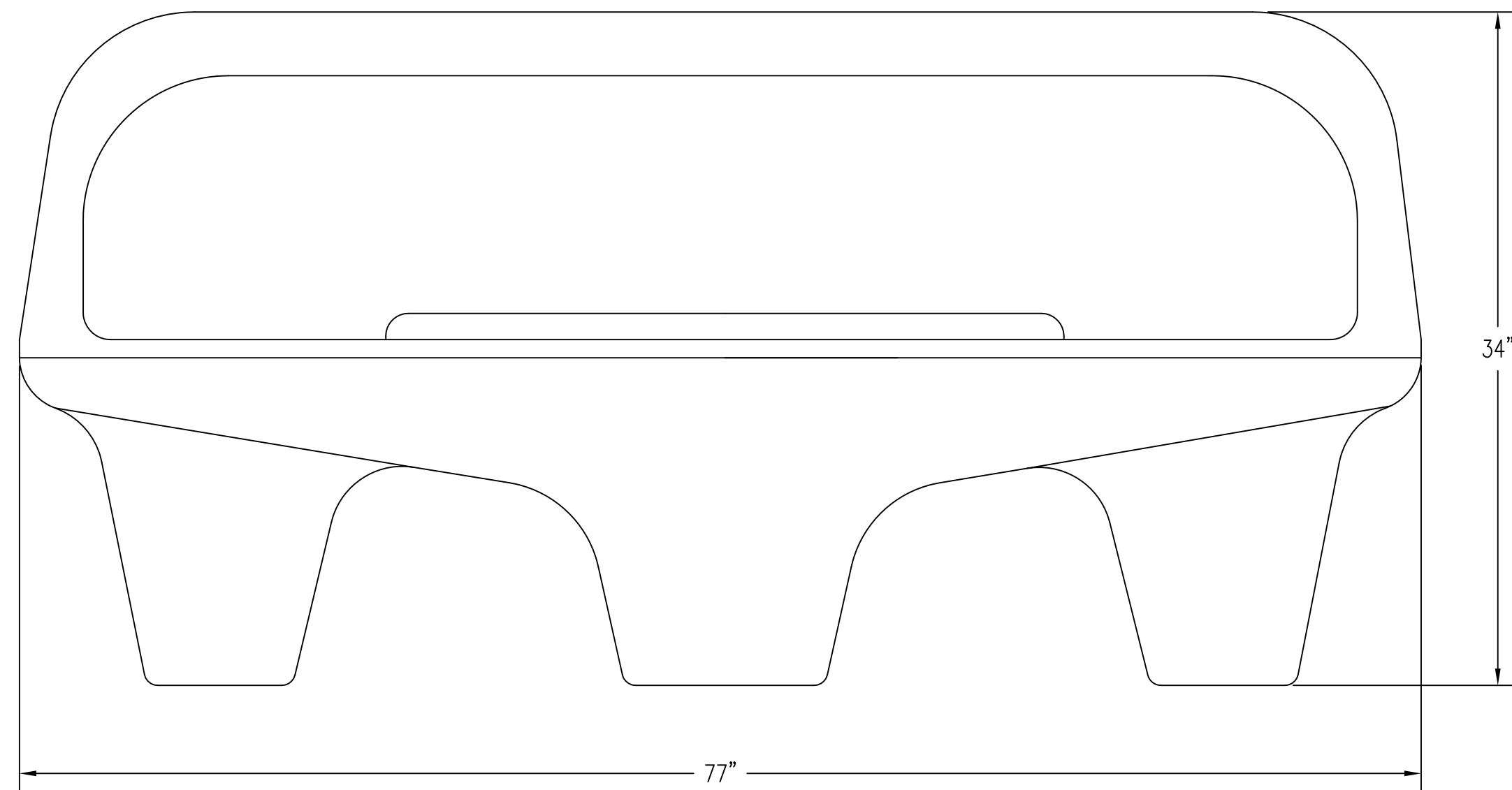


1 TOP VIEW  
Scale: NOT TO SCALE



2 FRONT ELEVATION VIEW  
Scale: NOT TO SCALE

REVISIONS			
	NAME	DATE	NOTES
1	---	-----	---
2	---	-----	---
3	---	-----	---
4	---	-----	---
5	---	-----	---
6	---	-----	---
7	---	-----	---
8	---	-----	---

CONFIDENTIAL INFORMATION  
 THESE DRAWING, SPECIFICATIONS AND  
 OTHER INFORMATION AND DOCUMENTS  
 ACCOMPANYING THEM ARE THE  
 CONFIDENTIAL AND PROPRIETARY PROPERTY  
 OF WAUSAU TILE, INC. THE DRAWINGS  
 THEMSELVES SHALL BELONG TO THE  
 OWNER FOR USE ONLY ON THE PROJECT.  
 ANY ADDITIONAL USE SHALL REQUIRE THE  
 PRIOR WRITTEN APPROVAL OF WAUSAU  
 TILE, INC. THE PROPRIETARY INFORMATION  
 CONTAINED WITHIN THE DRAWINGS AND  
 THE DOCUMENTS IS AND SHALL REMAIN  
 THE SOLE PROPERTY OF WAUSAU TILE, INC.

JOB NAME

ADDRESS  
CITY, STATE ZIP

UNLESS OTHERWISE SPECIFIED  
DIMENSIONS ARE IN INCHES  
FRACTIONS ±1/8"

DRAWN BY: ?

DATE: 3/2/15

CO NUMBER: ?

WEIGHT: 840 LBS

SHEET NO.

TF5060