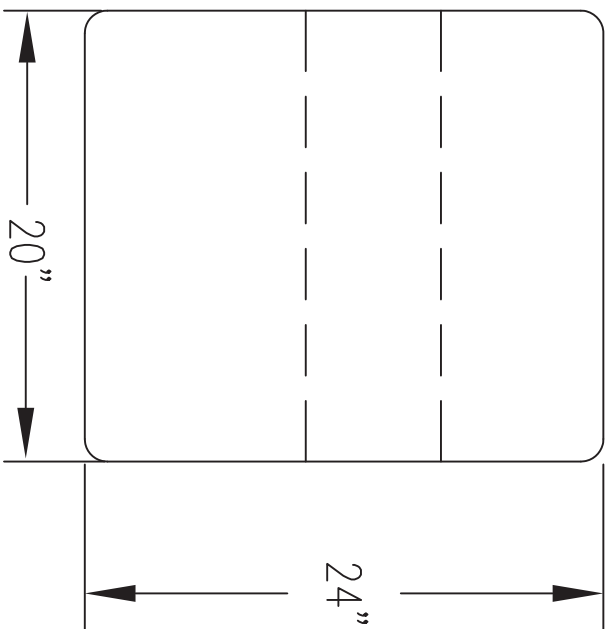
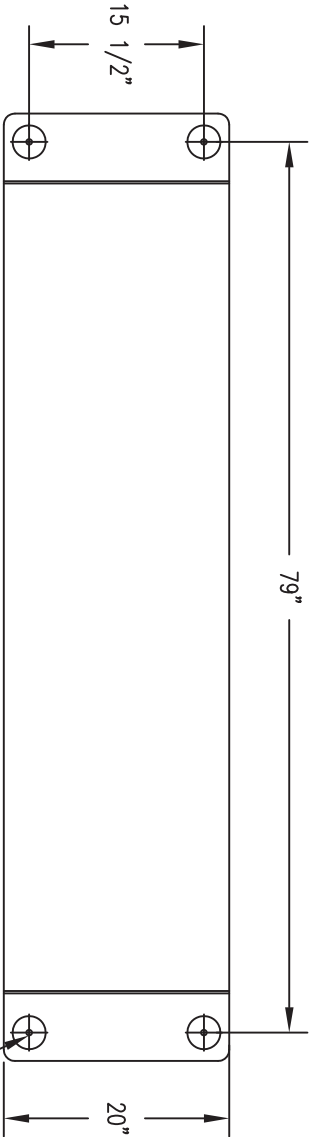


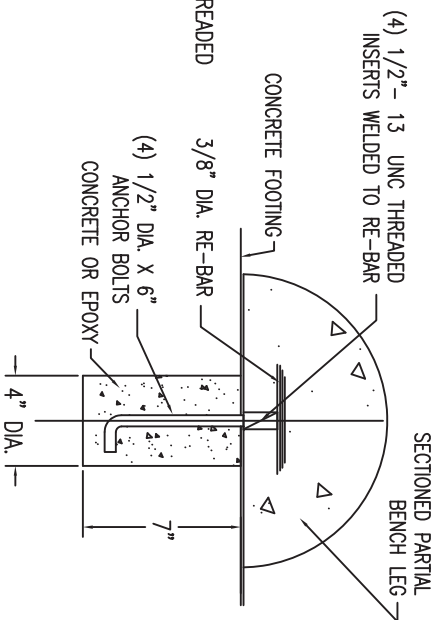
SIDE ELEVATION CAST CONCRETE BENCH



END VIEW BENCH



BOTTOM VIEW BENCH



SECTIONED ANCHORING SYSTEM DETAIL "A"

**CONFIDENTIAL INFORMATION**  
 These drawings, specifications and the other information and documents accompanying them are the confidential and proprietary property of Wausau Tile, Inc. The drawings themselves shall belong to the owner for use only on this project. Any additional use shall require the prior written approval of Wausau Tile, Inc. The proprietary information contained within the drawings and the documents is and shall

WT. 950#

REVISIONS

NO.	DATE	BY
1		
2		
3		
4		



MANUFACTURED BY:  
**CW** GROWD CONTROL WAREHOUSE

SITE-FURNISHINGS

JOB	TF5035	BAY BENCH 84
LOCATION	WAUSAU, WI.	
DRAWN BY	RJH	JOB NO.
DATE	3/3/99	DRWG.
SCALE	NIS	1 OF 1
		DRWG NO.
		999-3-57