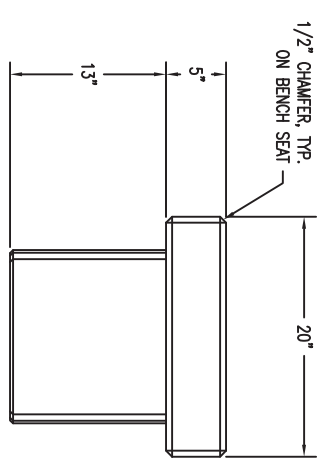
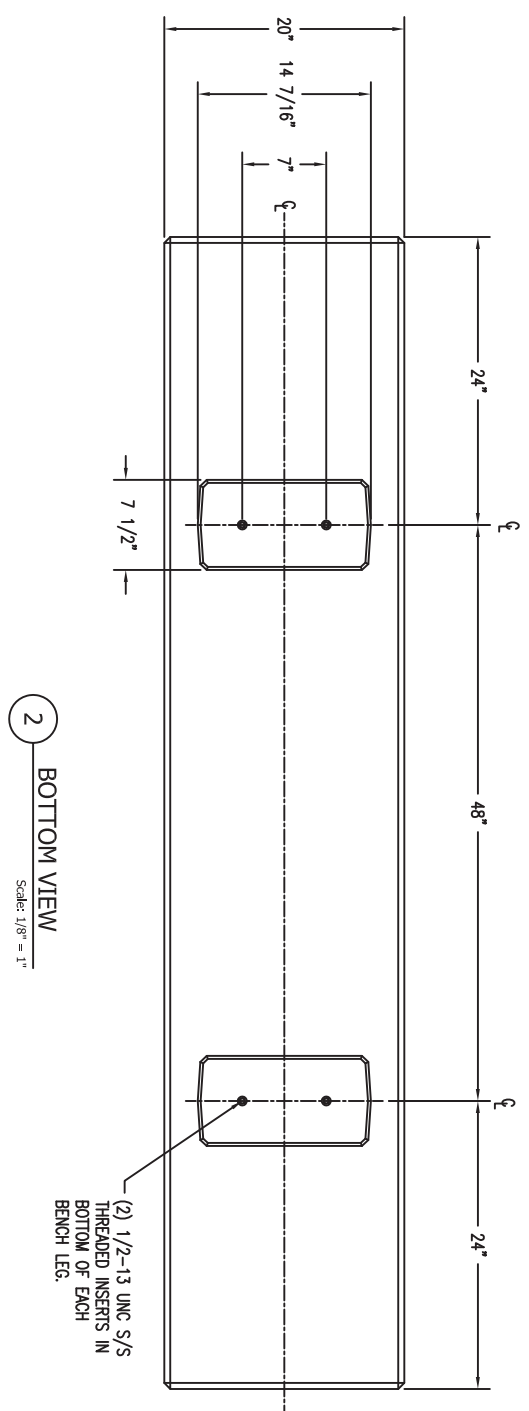


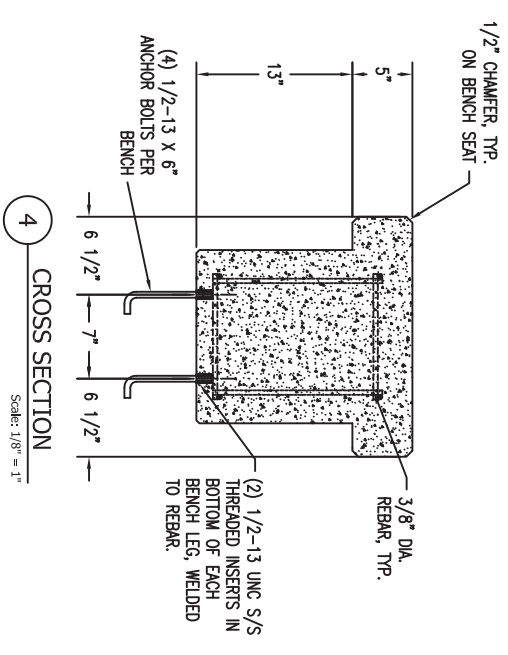
1 FRONT & BACK ELEVATION
Scale: 1/8" = 1"



3 END ELEVATION
Scale: 1/8" = 1"



2 BOTTOM VIEW
Scale: 1/8" = 1"



4 CROSS SECTION
Scale: 1/8" = 1"

(2) 1/2-13 UNC S/S
THREADED INSERTS IN
BOTTOM OF EACH
BENCH LEG.

1/2" CHAMFER, TYP.
ON BENCH SEAT

3/8" DIA.
REBAR, TYP.

(2) 1/2-13 UNC S/S
THREADED INSERTS IN
BOTTOM OF EACH
BENCH LEG, WELDED
TO REBAR.

(4) 1/2-13 X 6"
ANCHOR BOLTS PER
BENCH



MANUFACTURED BY:
CW CROWD CONTROL
WAREHOUSE

REVISIONS						DRAWN BY		JOB		MATERIAL	
NO.	DATE	BY	NO.	DATE	BY	P.A.W.	JOB NO.	LOCATION	WEIGHT	ITEM NO.	CONCRETE
1			4						1,000 LBS	TF5030	
2			5								
3			6								

SCALE	AS NOTED	DATE	4/6/10	FINISH	
UNLESS OTHERWISE SPECIFIED TOLERANCES ± 1/8"					
DATE 4/6/10					
FINISH OPTIONS					
DMG. NO. 1 OF 1					