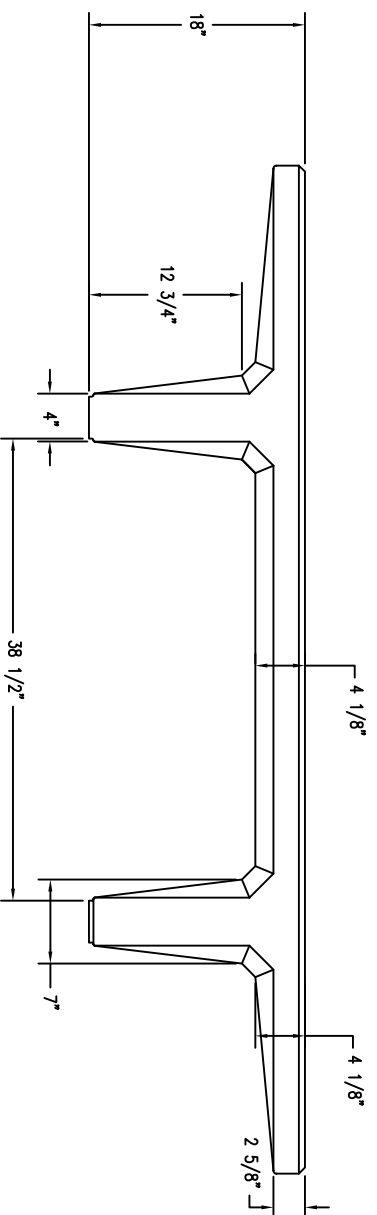
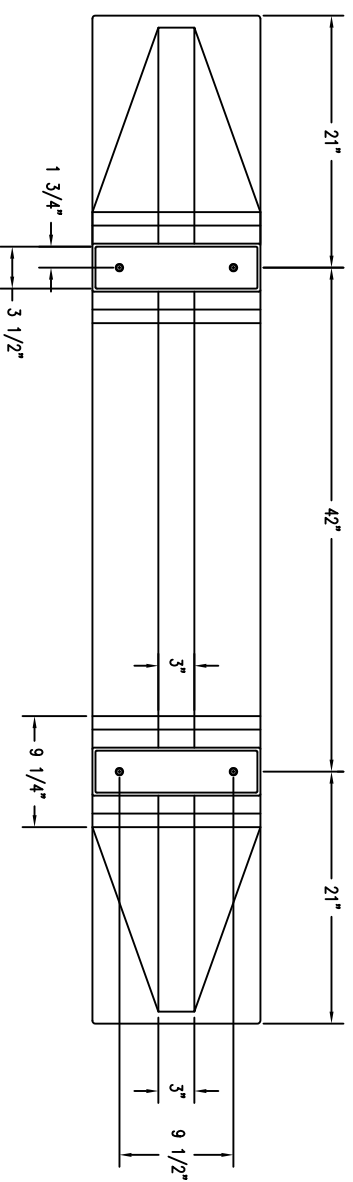


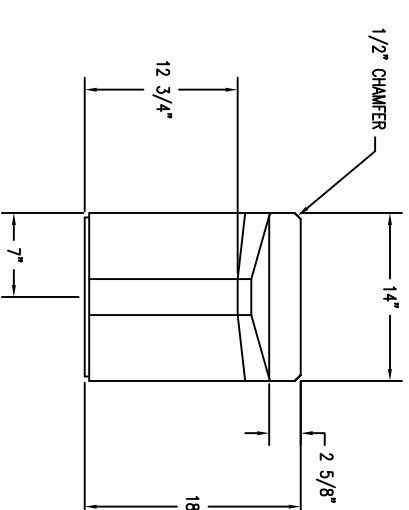
1 PLAN VIEW OF BENCH
Scale: 1 1/2" = 1'-0"



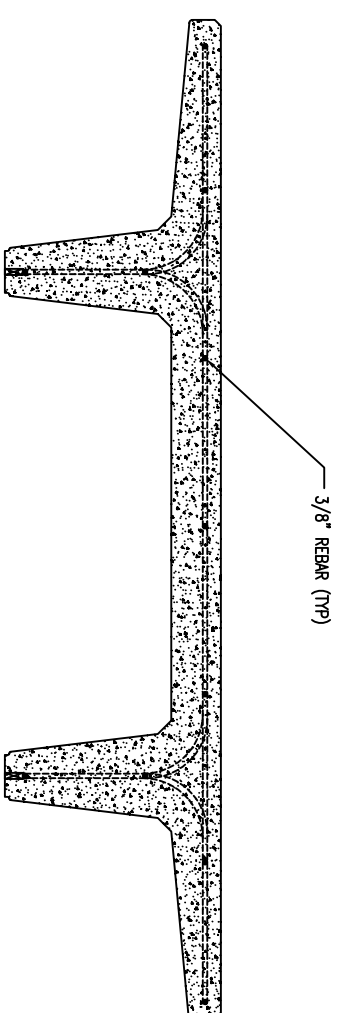
2 ELEVATION OF BENCH
Scale: 1 1/2" = 1'-0"



3 BOTTOM VIEW OF BENCH
Scale: 1 1/2" = 1'-0"



4 END VIEW OF BENCH
Scale: 1 1/2" = 1'-0"



5 SECTION VIEW OF BENCH
Scale: 1 1/2" = 1'-0"



MANUFACTURED BY:
CW CROWD CONTROL
WAREHOUSE

REVISION	DESCRIPTION	DRAWN BY	DATE	FINISH OPTIONS
4				
3				
2				
1				

DRAWN BY	JSP	JOB		MATERIAL	CONCRETE
JOB NO.		LOCATION		WEIGHT	LBS
SCALE		DATE	09/23/10	ITEM NO.	TF5028
UNLESS OTHERWISE SPECIFIED DIMENSIONS ARE IN INCHES TOLERANCES ±.06				DWG. NO.	1 OF 1