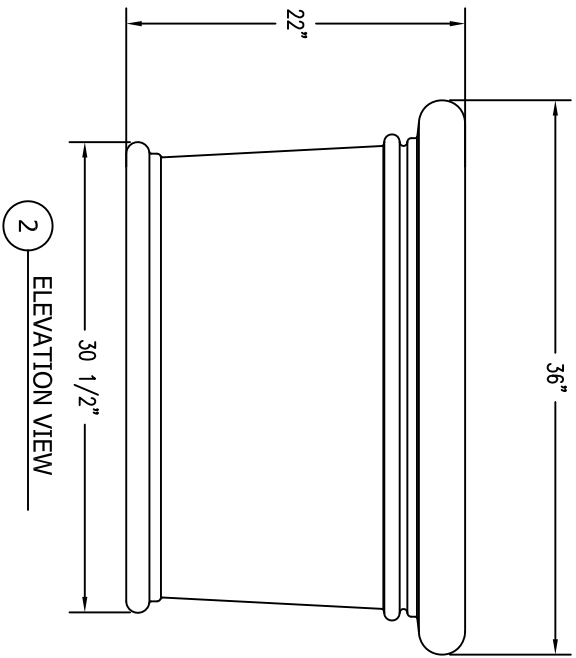
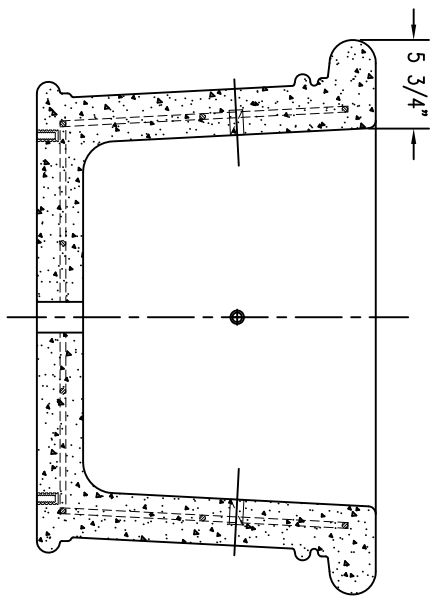


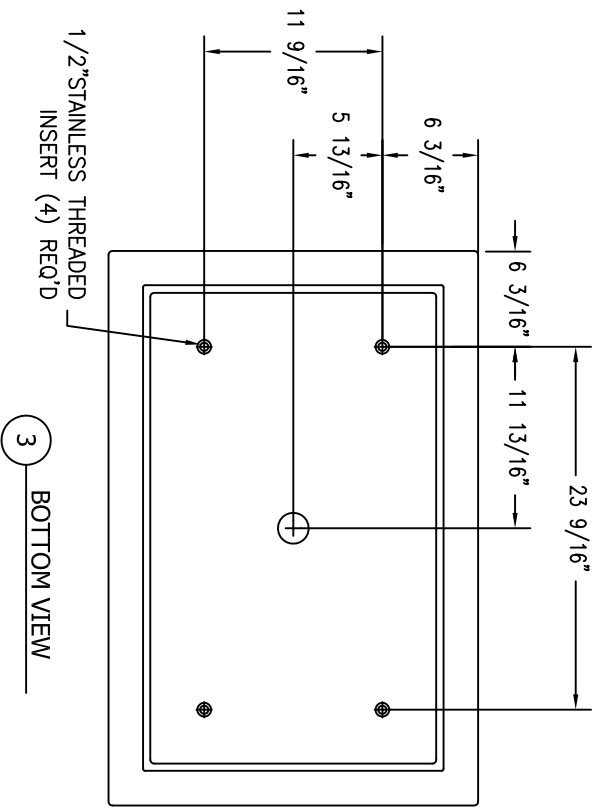
1 TOP VIEW



2 ELEVATION VIEW



4 CROSS SECTION



3 BOTTOM VIEW



MANUFACTURED BY
WASUWA TILE, INC.

REVISIONS		
NO.	DATE	NOTES
1		
2		
3		
4		
5		
6		
7		
8		

THESE DRAWING SPECIFICATIONS AND OTHER INFORMATION ARE THE PROPERTY OF WASUWA TILE, INC. THE DRAWINGS HEREON SHALL BELOING TO THE COMPANY AND NO PART THEREOF SHALL BE REPRODUCED OR TRANSMITTED IN ANY FORM OR BY ANY MEANS, ELECTRONIC OR MECHANICAL, INCLUDING PHOTOCOPYING, RECORDING, OR BY ANY INFORMATION STORAGE AND RETRIEVAL SYSTEM, WITHOUT THE PRIOR WRITTEN APPROVAL OF WASUWA TILE, INC. THE PROPRIETARY INFORMATION CONTAINED HEREIN IS THE BUSINESS AND TRADE SECRET OF WASUWA TILE, INC. AND IS THE SOLE PROPERTY OF WASUWA TILE, INC.

JOB NAME
ADDRESS
CITY, STATE ZIP

UNLESS OTHERWISE SPECIFIED
DIMENSIONS ARE IN INCHES
FRACTIONS 1/16"

DRAWN BY: SK
DATE: 8/7/15
CD NUMBER: ?
WEIGHT: 640 LBS

PRODUCT NO.
TF 4192