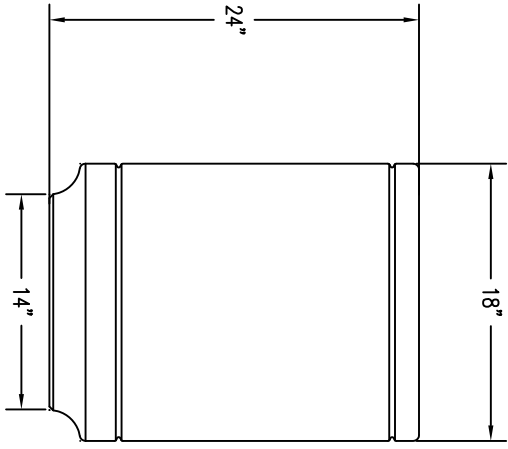
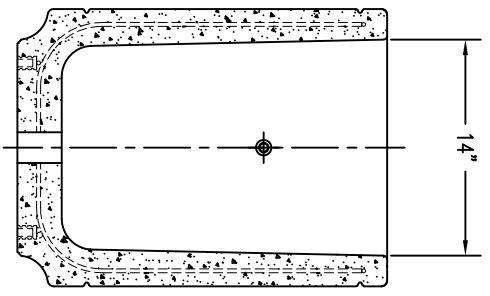


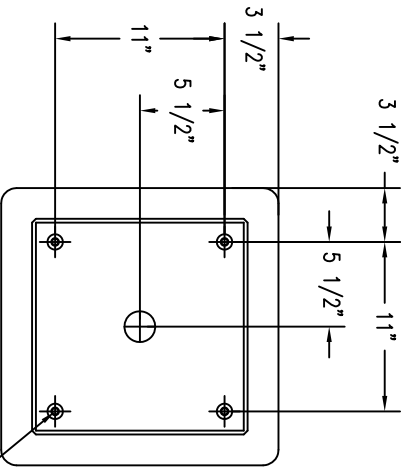
1 TOP VIEW



2 ELEVATION VIEW



4 CROSS SECTION



3 BOTTOM VIEW

1/2-13 S/S INSERT
(4) REQ'D

REVISIONS

NO.	NAME	DATE	NOTES
1			
2			
3			
4			
5			
6			
7			
8			

THESE DRAWING SPECIFICATIONS AND OTHER INFORMATION ARE THE PROPERTY OF WATSON TILE, INC. THE DRAWINGS HEREIN SHALL BELOING TO THE OWNER AND SHALL REMAIN THE PROPERTY OF WATSON TILE, INC. THE PROPRIETARY INFORMATION CONTAINED HEREIN IS UNCLASSIFIED AND IS THE SOLE PROPERTY OF WATSON TILE, INC.



JOB NAME
ADDRESS
CITY, STATE ZIP

UNLESS OTHERWISE SPECIFIED
DIMENSIONS ARE IN INCHES
FRACTIONS 1/16"

DRAWN BY: SK
DATE: 7/23/15
CD NUMBER: 7
WEIGHT: 300 LBS

PRODUCT NO.
TF 4185