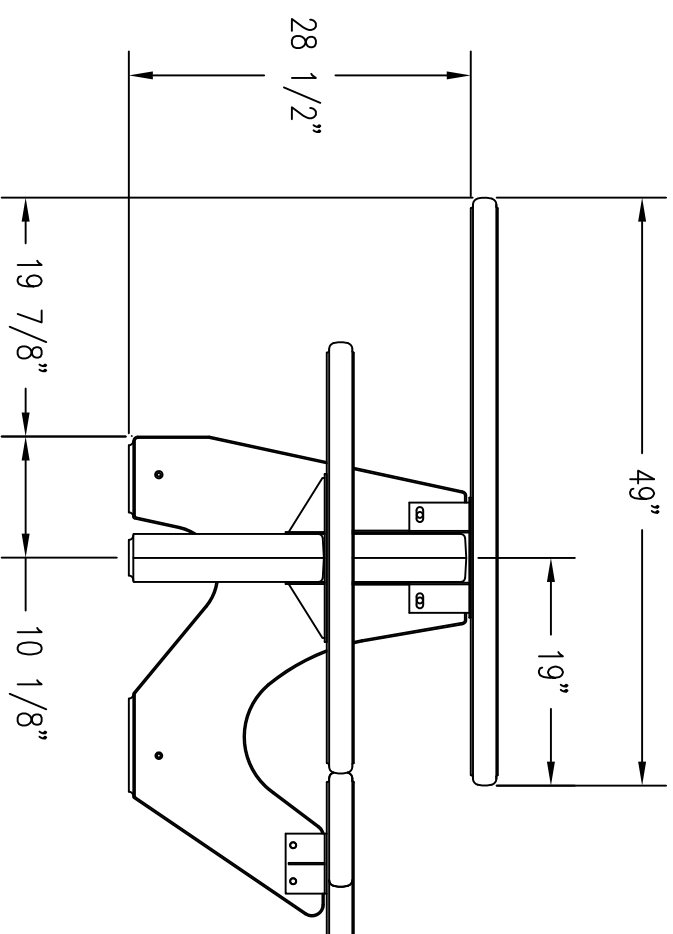
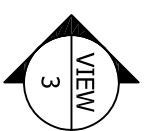
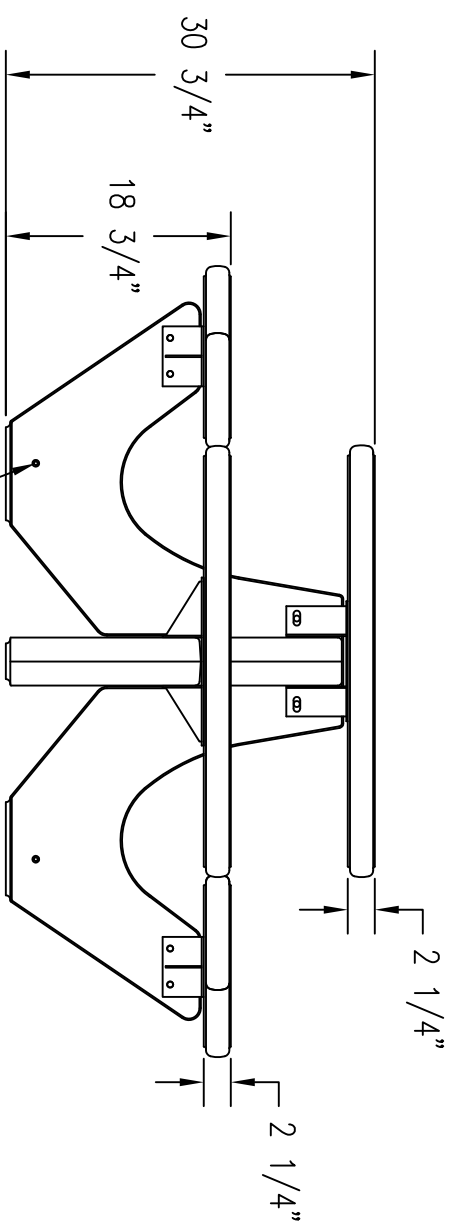


1 TOP VIEW
Scale: 1/16" = 1"



3 ELEVATION VIEW
Scale: 1/16" = 1"



2 ELEVATION VIEW
Scale: 1/16" = 1"



MANUFACTURED BY:
CW GROWD CONTROL
WAREHOUSE

REVISION		
DRAWN BY	DATE	NOTES
1		
2		
3		
4		
5		
6		
7		

CONFIDENTIAL INFORMATION
THESE DRAWING, SPECIFICATIONS AND OTHER INFORMATION AND DOCUMENTS ACCOMPANYING THEM ARE THE CONFIDENTIAL AND PROPRIETARY PROPERTY OF WAUSAU TILE, INC. THE DRAWINGS THEMSELVES SHALL BELONG TO THE OWNER FOR USE ONLY ON THE PROJECT. ANY ADDITIONAL USE SHALL REQUIRE THE PRIOR WRITTEN APPROVAL OF WAUSAU TILE, INC. THE PROPRIETARY INFORMATION CONTAINED WITHIN THE DRAWINGS AND THE DOCUMENTS IS AND SHALL REMAIN THE SOLE PROPERTY OF WAUSAU TILE, INC

JOB NAME

LOCATION

UNLESS OTHERWISE SPECIFIED DIMENSIONS ARE IN INCHES FRACTIONS ± 1/8"

DRAWN BY: JPZ

DATE: 1/5/14

CO NUMBER:

WEIGHT: 680 LBS.

SHEET NO.

TF3128