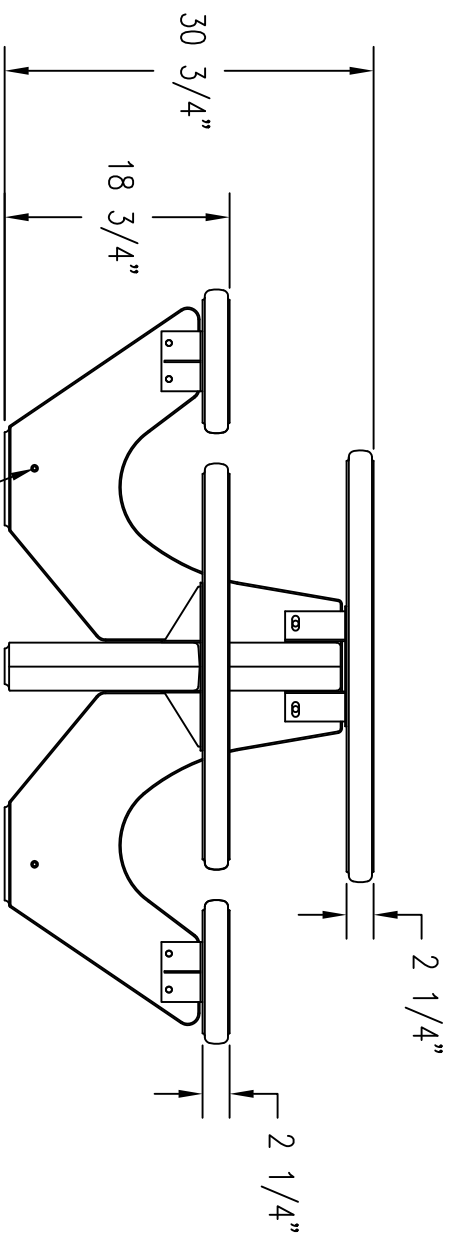
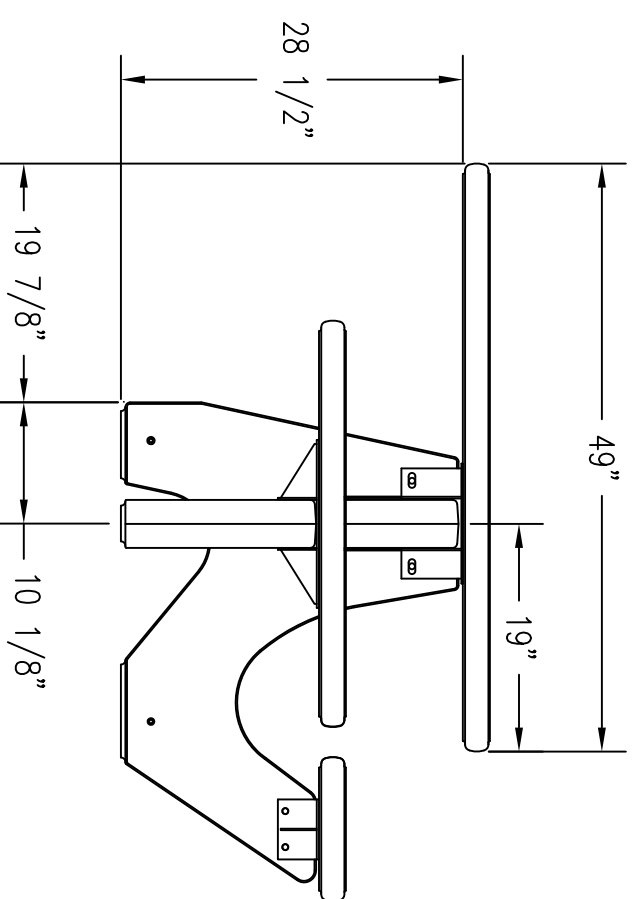



**1** TOP VIEW  
Scale: 1/16" = 1"




**2** ELEVATION VIEW  
Scale: 1/16" = 1"



**3** ELEVATION VIEW  
Scale: 1/16" = 1"



MANUFACTURED BY:



REVISION		
DRAWN BY	DATE	NOTES

CONFIDENTIAL INFORMATION  
 THESE DRAWING, SPECIFICATIONS AND OTHER INFORMATION AND DOCUMENTS ACCOMPANYING THEM ARE THE CONFIDENTIAL AND PROPRIETARY PROPERTY OF WAUSAU TILE, INC. THE DRAWINGS THEMSELVES SHALL BELONG TO THE OWNER FOR USE ONLY ON THE PROJECT. ANY ADDITIONAL USE SHALL REQUIRE THE PRIOR WRITTEN APPROVAL OF WAUSAU TILE, INC. THE PROPRIETARY INFORMATION CONTAINED WITHIN THE DRAWINGS AND THE DOCUMENTS IS AND SHALL REMAIN THE SOLE PROPERTY OF WAUSAU TILE, INC

JOB NAME \_\_\_\_\_

LOCATION \_\_\_\_\_

UNLESS OTHERWISE SPECIFIED DIMENSIONS ARE IN INCHES FRACTIONS ± 1/8"

DRAWN BY: JPZ

DATE: 1/5/14

CO NUMBER: \_\_\_\_\_

WEIGHT: 950 LBS.