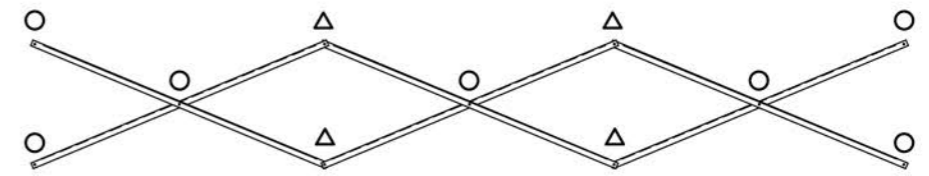


SEATING & FRAMING PLAN

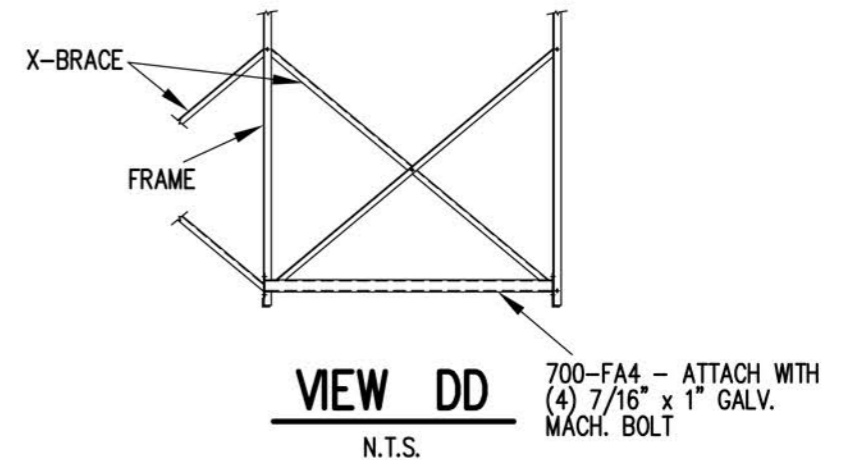
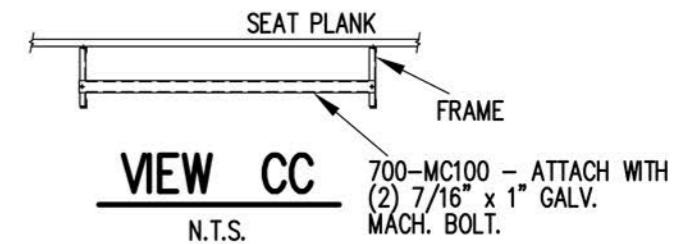
1/4" = 1'-0"
54 NET SEATS @ 18" PER SEAT

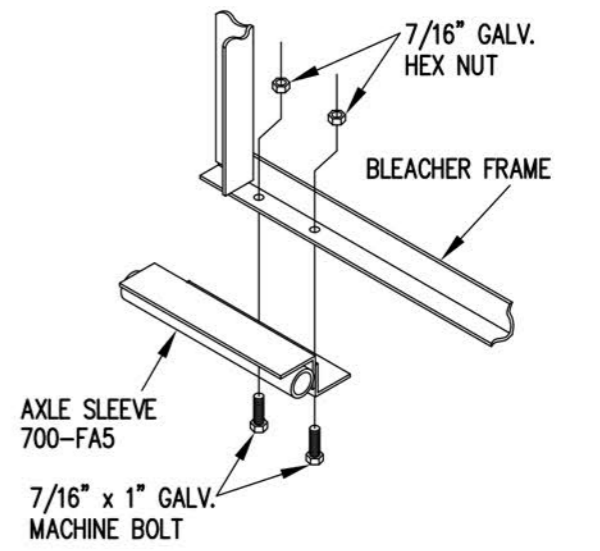
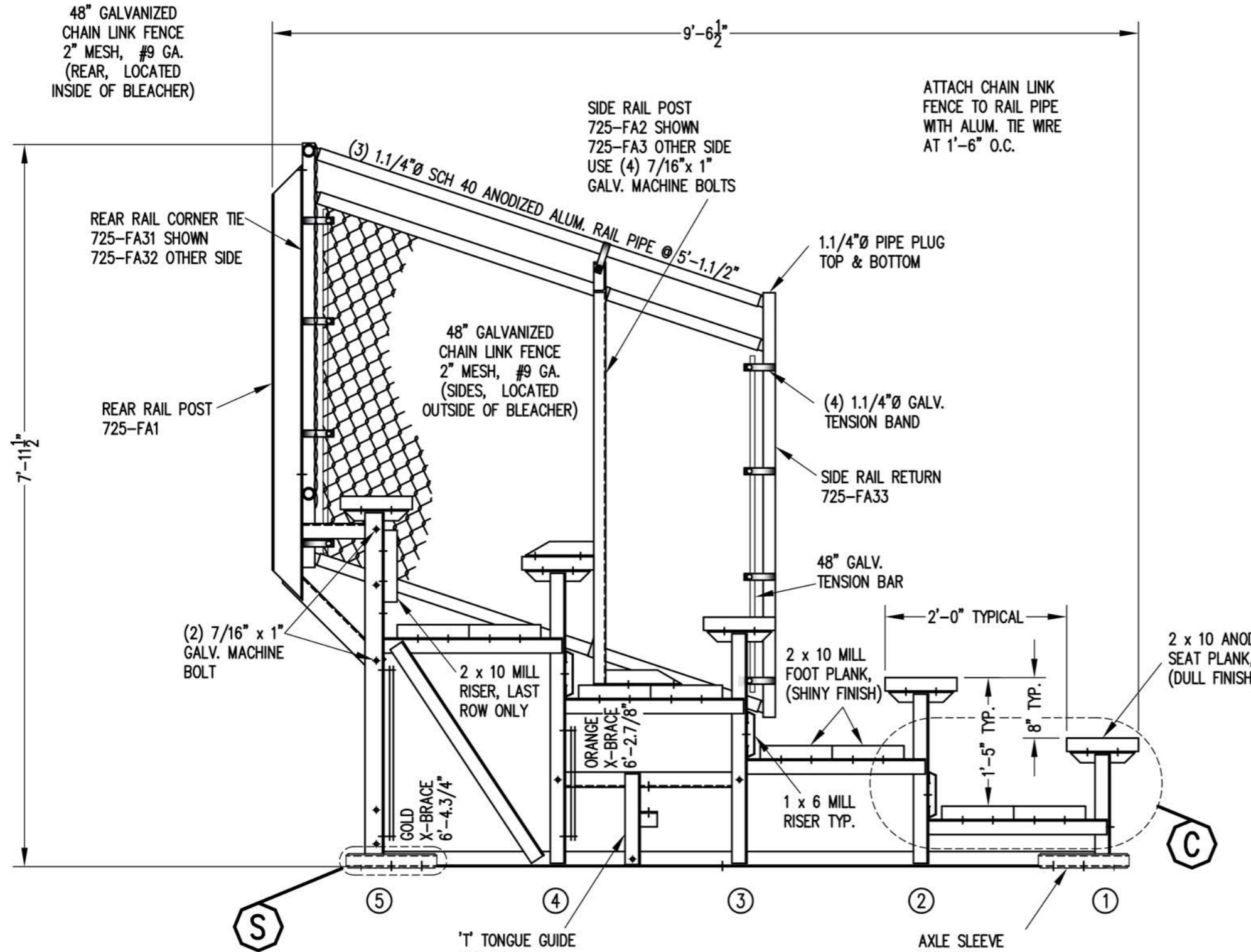
- DENOTES AXLE SLEEVE LOCATIONS
- ▷ DENOTES TONGUE GUIDE LOCATIONS



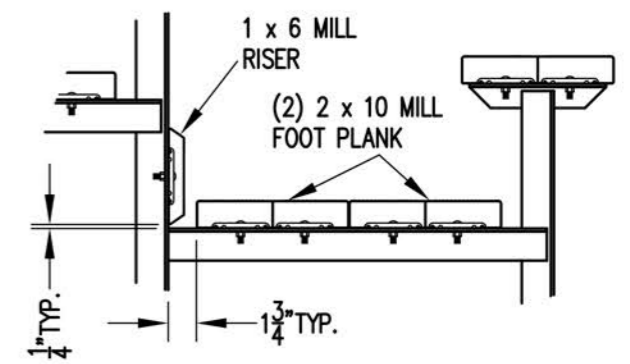
X-BRACE DETAIL

- N.T.S.
- 7/16" X 1" GALV. MACH. BOLT
 - △ 7/16" X 1.1/2" GALV. MACH. BOLT





AXLE SLEEVE DETAIL S
1" = 1'-0"

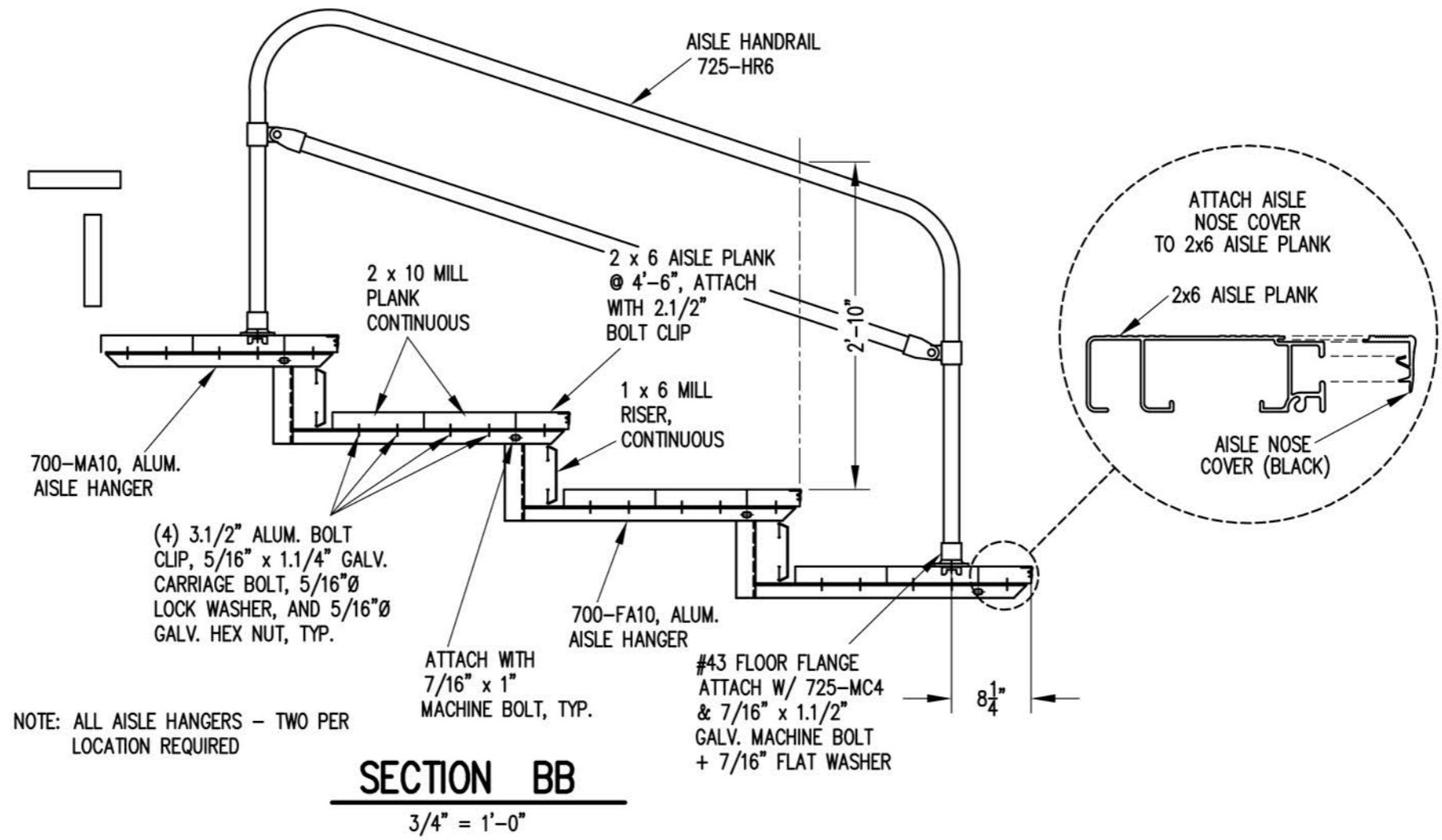


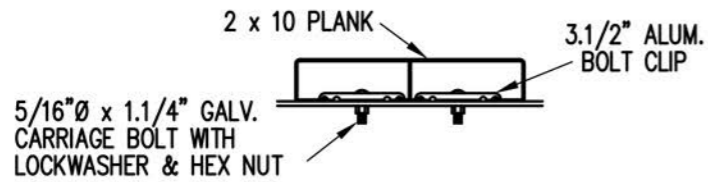
DETAIL C
1" = 1'-0"

1" TONGUE GUIDE
700-FA1
ATTACH W/ (3) 7/16" x 1"
GALV. MACHINE BOLTS
SEE FRAMING PLAN FOR
LOCATIONS.

SECTION AA
3/4" = 1'-0"

AXLE SLEEVE
700-FA5
ATTACH W/ (2) 7/16" x 1"
GALV. MACHINE BOLTS
SEE FRAMING PLAN FOR
LOCATIONS.





BOLT CLIP DETAIL

1.1/2" = 1'-0"



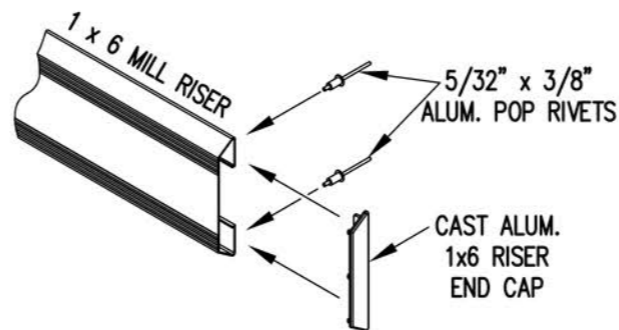
FIG.1

FIG.2

- 1) LOCATE THE CHANNEL END CAP AS SHOWN IN FIG. 1.
- 2) TAP END CAP INTO PLACE WITH RUBBER Mallet OR SOFT WOOD. FIG.2
- 3) DRILL 5/32" HOLES THROUGH THE BOTTOM FLANGE AND THE BOTTOM OUTSIDE PLANK FLANGES OF EACH PLANK. INSTALL 5/32" POP RIVETS.

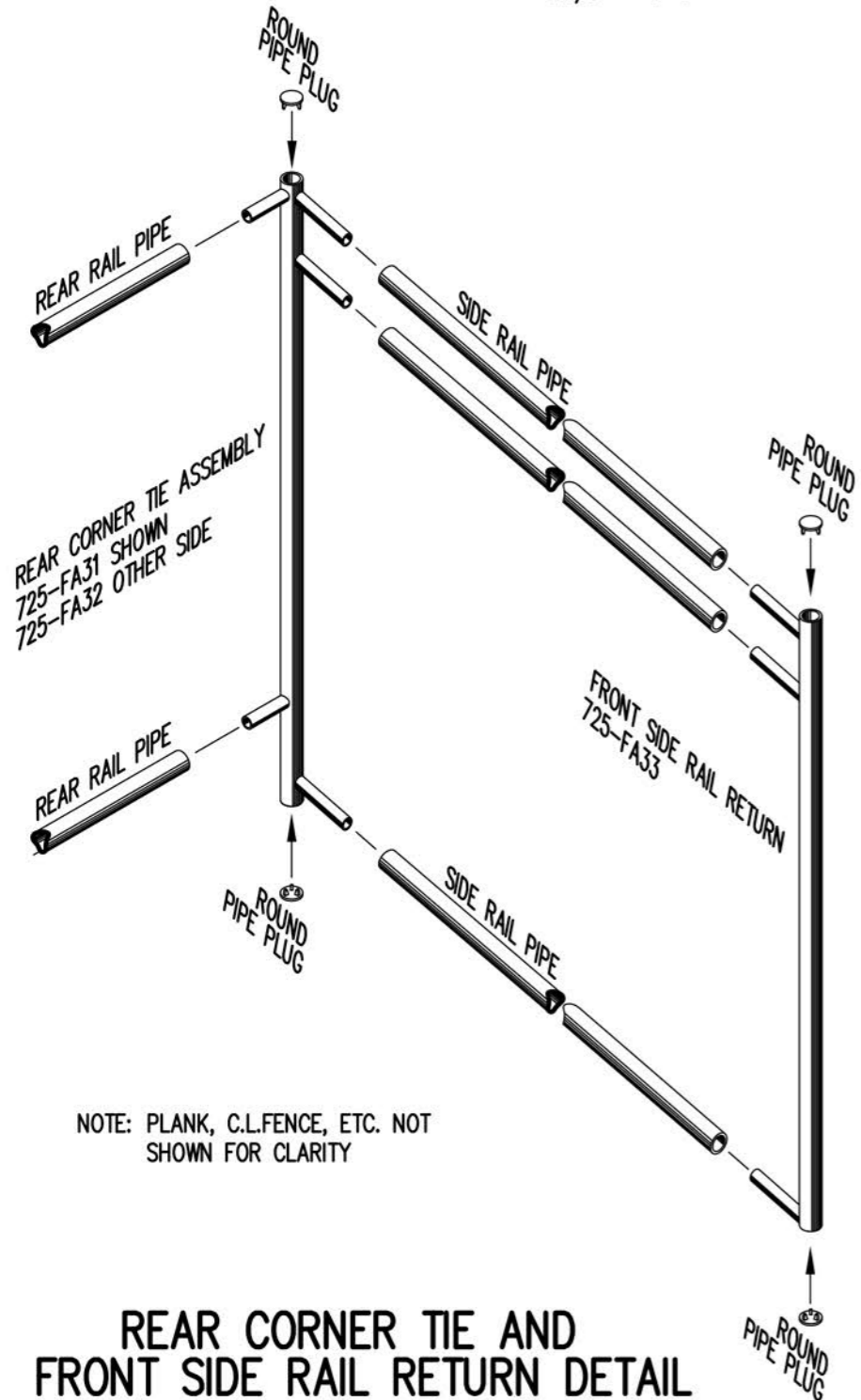
END CAP DETAIL

N.T.S.



1 x 6 RISER END CAP

N.T.S.



REAR CORNER TIE AND FRONT SIDE RAIL RETURN DETAIL

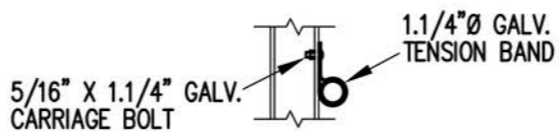
3/4" = 1'-0"



TOP RAIL

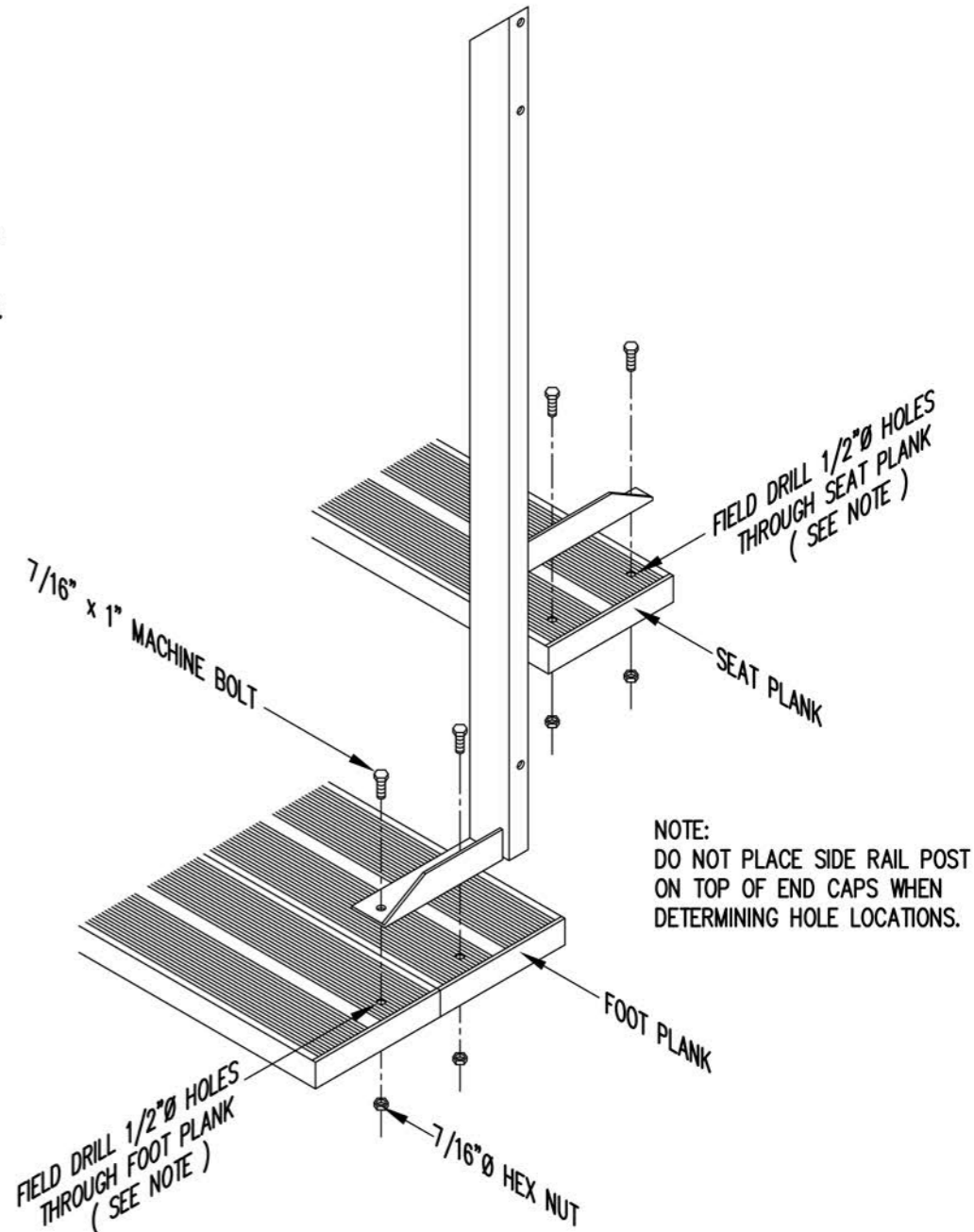


2ND RAIL



BOTTOM RAIL

RAIL PIPE ATTACHMENT

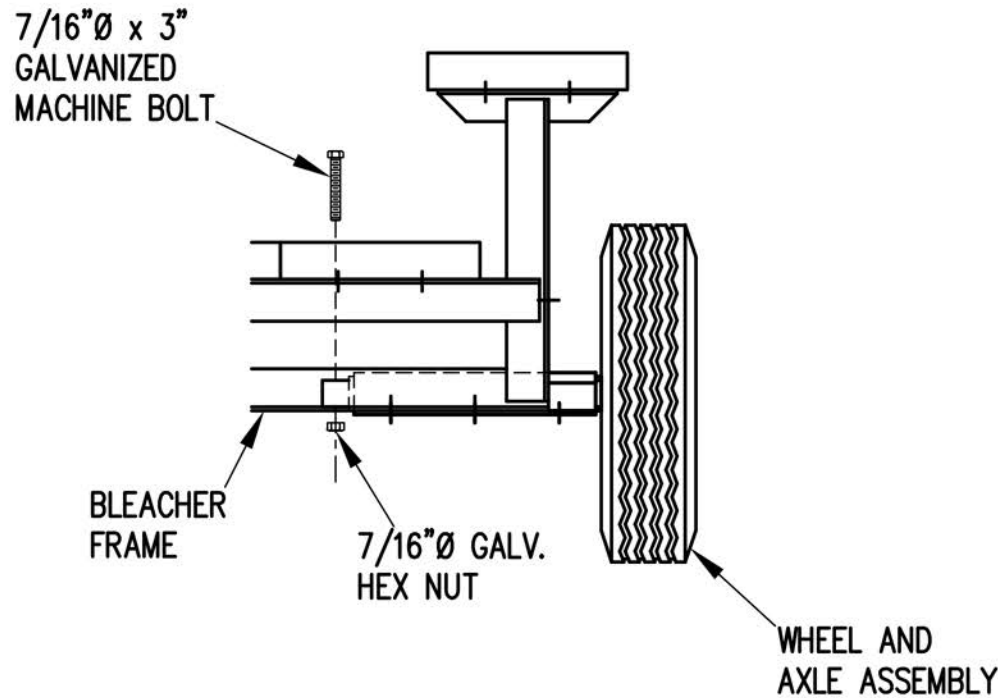
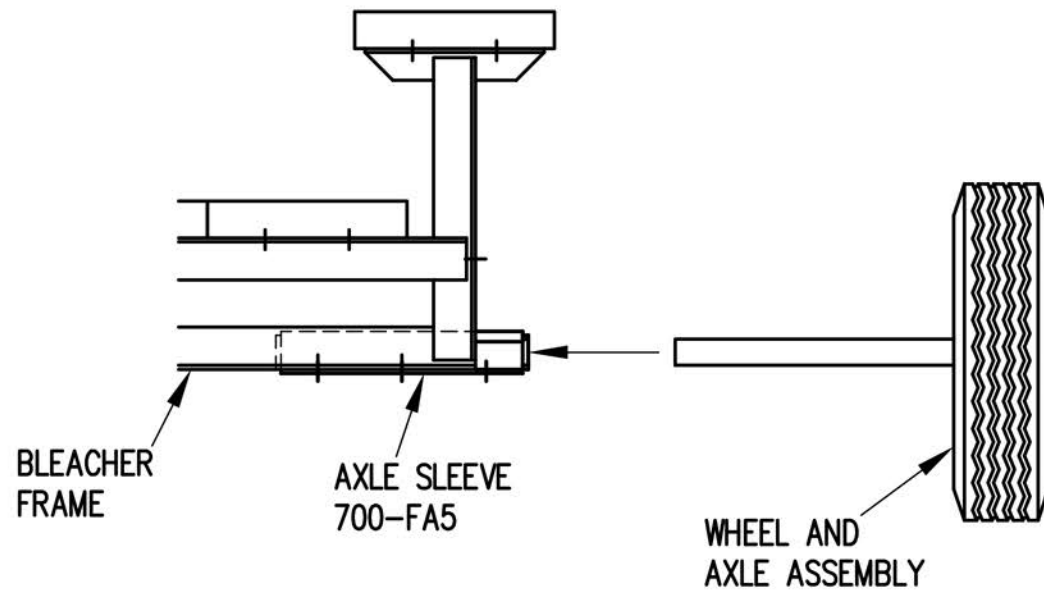


TYP. SIDE RAIL POST ATTACHMENT

1" = 1'-0"

NOTE: DO NOT PLACE SIDE RAIL POST ON TOP OF END CAPS WHEN DETERMINING HOLE LOCATIONS.

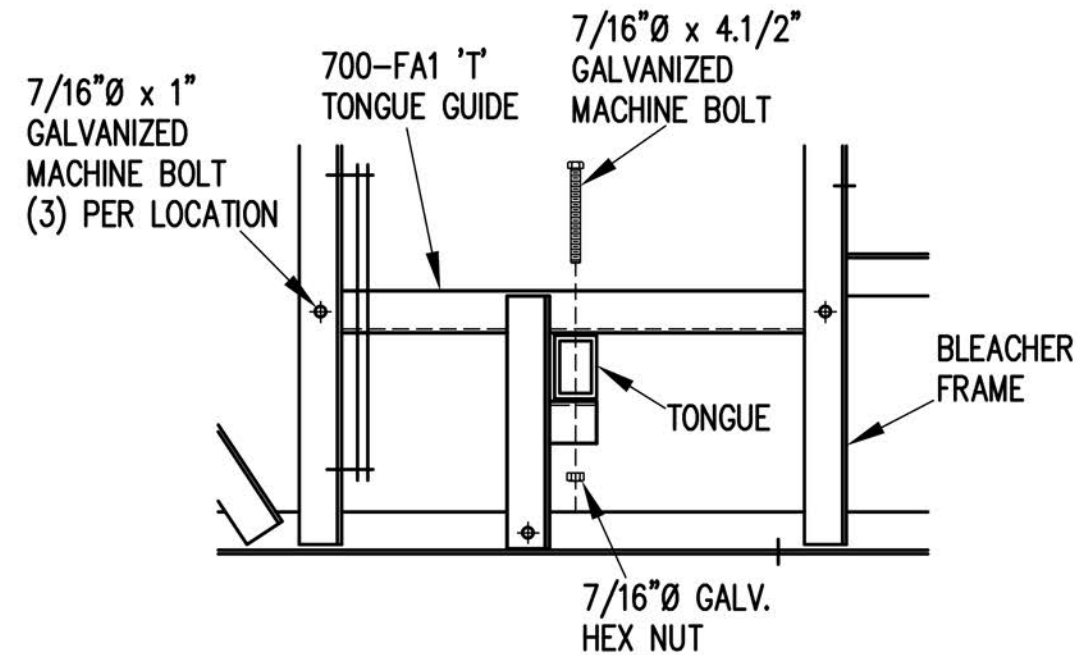
NOTE: SEE FRAMING PLAN FOR LOCATION OF AXLE SLEEVES AND TONGUE GUIDES.



1. ELEVATE BLEACHER TO RECEIVE WHEEL UNITS.
2. INSERT WHEEL AND AXLE ASSEMBLY INTO AXLE SLEEVE AS SHOWN.
3. INSERT 7/16" X 3" GALVANIZED MACHINE BOLT THROUGH AXLE TO SECURE IN AXLE SLEEVE.

WHEEL AND AXLE ATTACHMENT

1" = 1'-0"

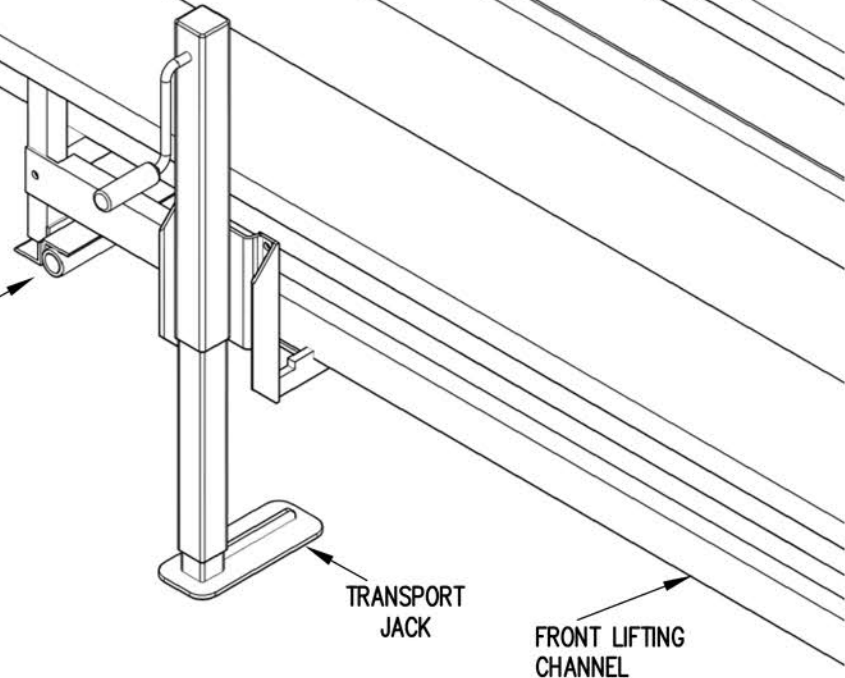
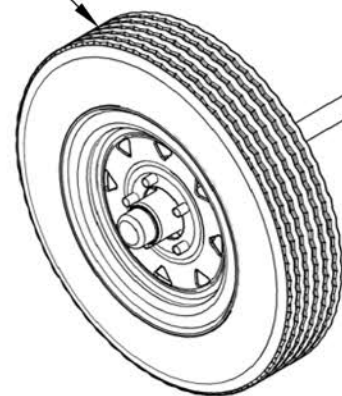


1. INSERT TONGUE THROUGH TONGUE GUIDES.
2. ATTACH TONGUE TO TONGUE BRACKETS WITH 7/16" X 4.1/2" GALVANIZED MACHINE BOLTS AS SHOWN.
3. TIGHTEN SECURELY.

TONGUE ATTACHMENT

1" = 1'-0"

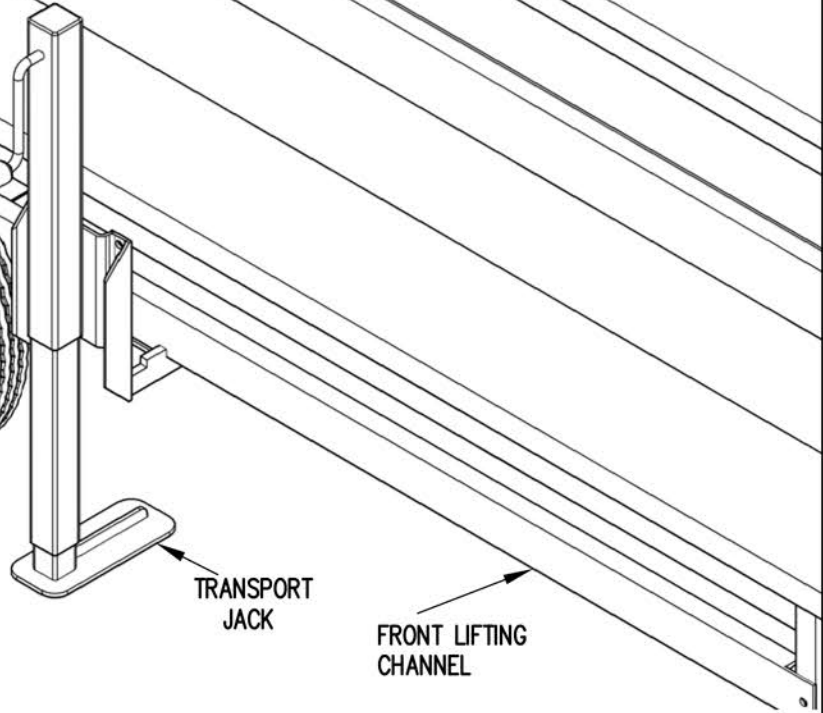
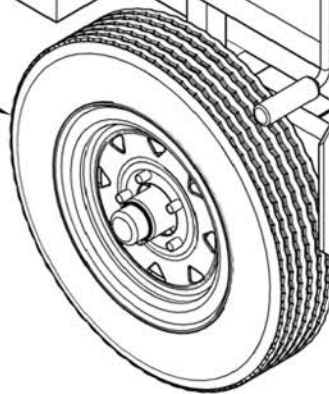
WHEEL AND AXLE ASSEMBLY



TRANSPORT JACK

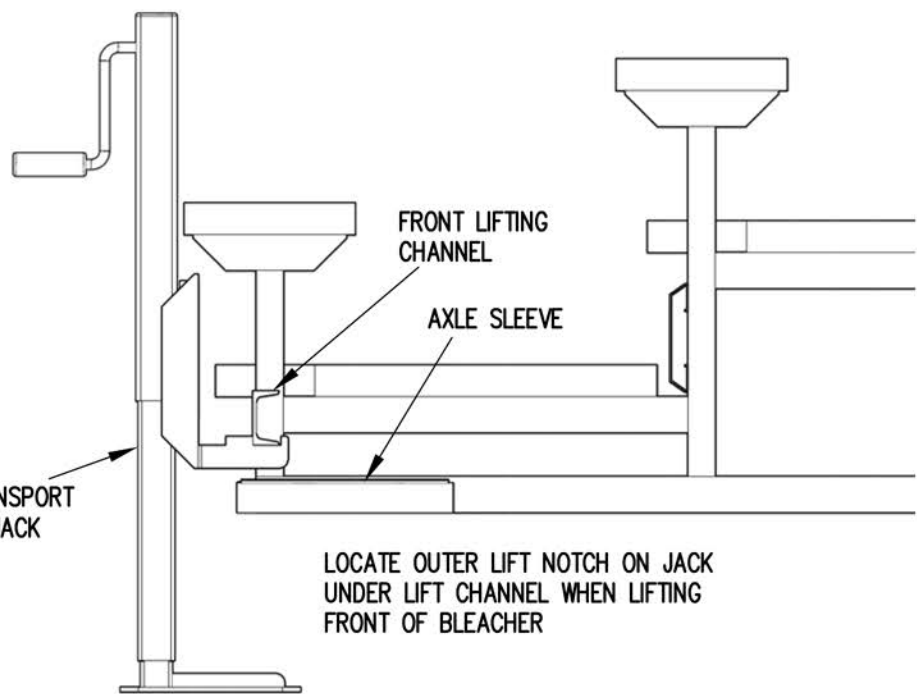
FRONT LIFTING CHANNEL

WHEEL AND AXLE ASSEMBLY



TRANSPORT JACK

FRONT LIFTING CHANNEL

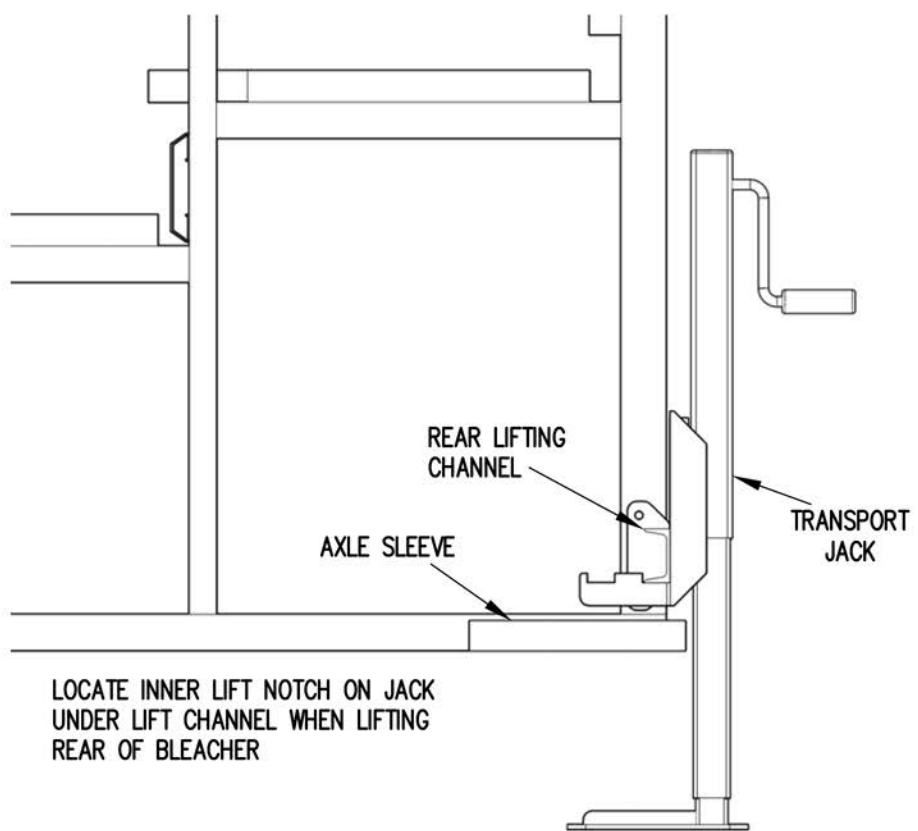


FRONT LIFTING CHANNEL

AXLE SLEEVE

TRANSPORT JACK

LOCATE OUTER LIFT NOTCH ON JACK UNDER LIFT CHANNEL WHEN LIFTING FRONT OF BLEACHER

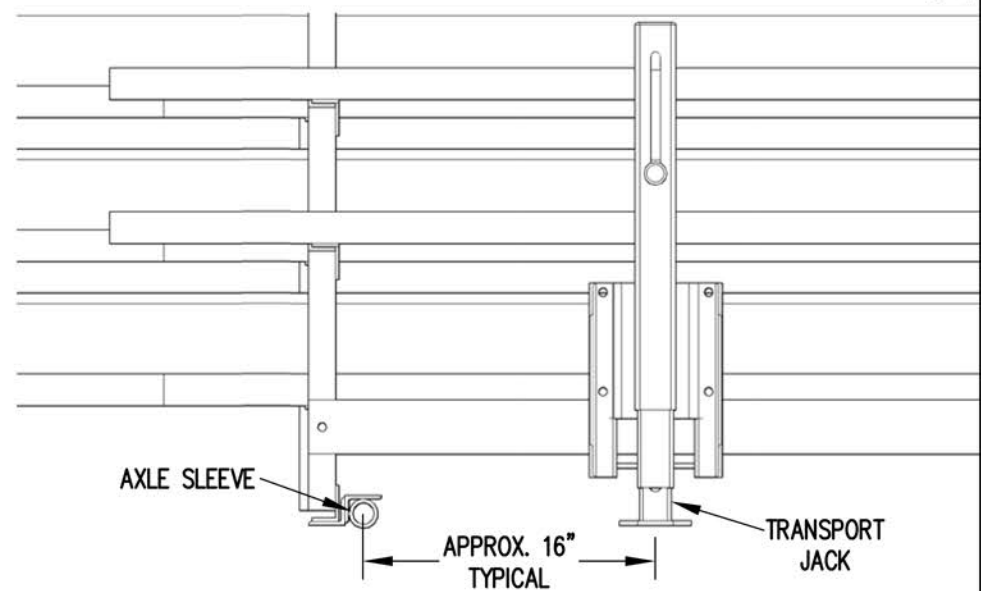


REAR LIFTING CHANNEL

AXLE SLEEVE

TRANSPORT JACK

LOCATE INNER LIFT NOTCH ON JACK UNDER LIFT CHANNEL WHEN LIFTING REAR OF BLEACHER



AXLE SLEEVE

APPROX. 16" TYPICAL

TRANSPORT JACK