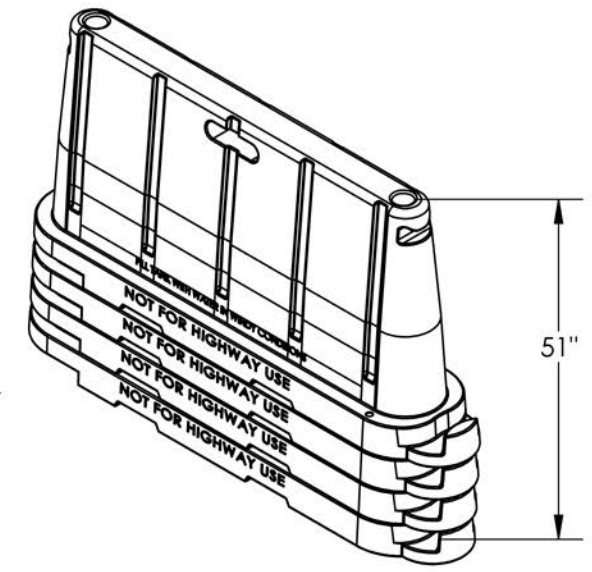
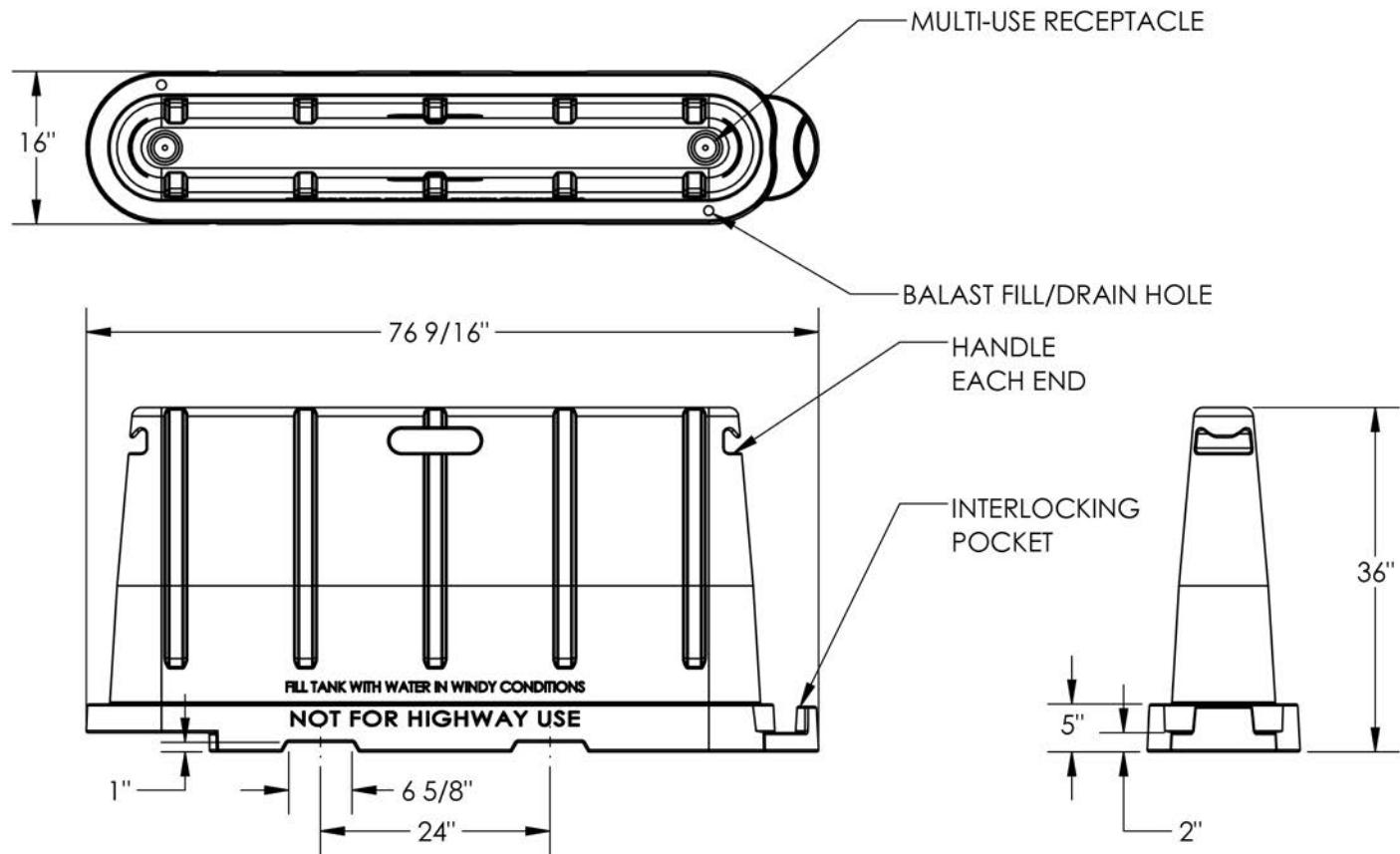


# STACKABLE BARRICADES

APPROX WEIGHT: 34.89 lbs.  
DOES NOT INCLUDE WEIGHT OF POWER OR PACKAGING!!!

\*\*\* ANY ADDITIONS, DELETIONS, OR OMISSIONS MUST BE CORRECTED ON THIS DRAWING AS THIS DRAWING WILL BE CONSIDERED ALL INCLUSIVE \*\*\*

ALL GRAPHICS PROVIDED ARE FOR REFERENCE ONLY. IF CERTAIN DIMENSIONS ARE CRITICAL PLEASE VERIFY THOSE DIMENSIONS WITH YOUR SALESPERSON



NOTE: ISOMETRIC VIEW OF STACKED BARRICADES FOR REFERENCE ONLY

DIMENSION TOLERANCE ± 1/4"

## STANDARD FEATURES

OVERALL LENGTH IS 76 9/16"  
OVERALL WIDTH IS 16"  
OVERALL HEIGHT IS 36"

EFFECTIVE LENGTH WHEN CONNECTED IS 72"  
MATERIAL IS VIRGIN POLYETHYLENE WITH UV STABILIZER  
INTERLOCKING DESIGN ALLOWS FOR CORNERS UP TO 90°  
BALAST CAN BE FILLED WITH UP TO 5.4 GAL OF WATER OR SAND  
STACKABLE AS HIGH AS CONVENIENT

## SPECIAL FEATURES

NONE

<b>APPROVAL</b>	I, THE UNDERSIGNED, AGREE THAT THE PRODUCT AS REPRESENTED SATISFIES DESIGN AND DIMENSION REQUIREMENTS. I ALSO ACKNOWLEDGE MY DUTY TO CONFIRM PRODUCT AND INSTALLATION COMPLIANCE WITH ALL APPLICABLE FEDERAL, STATE AND LOCAL REGULATIONS AND STANDARDS.	
	<b>ANY MODIFIED UNITS ARE NON-RETURNABLE</b>	
	[ ] As drawn      [ ] As marked	
	Signed: _____	Date: _____
Printed Name: _____		
LEAD TIME WILL START UPON RECEIPT OF SIGNED APPROVAL DRAWING		