

# PRODUCT SPECIFICATIONS

## MOUNTING BASE TYPE INCLUDE:

FREE STANDING MOUNT (FS)

IN-GROUND MOUNT (IM)

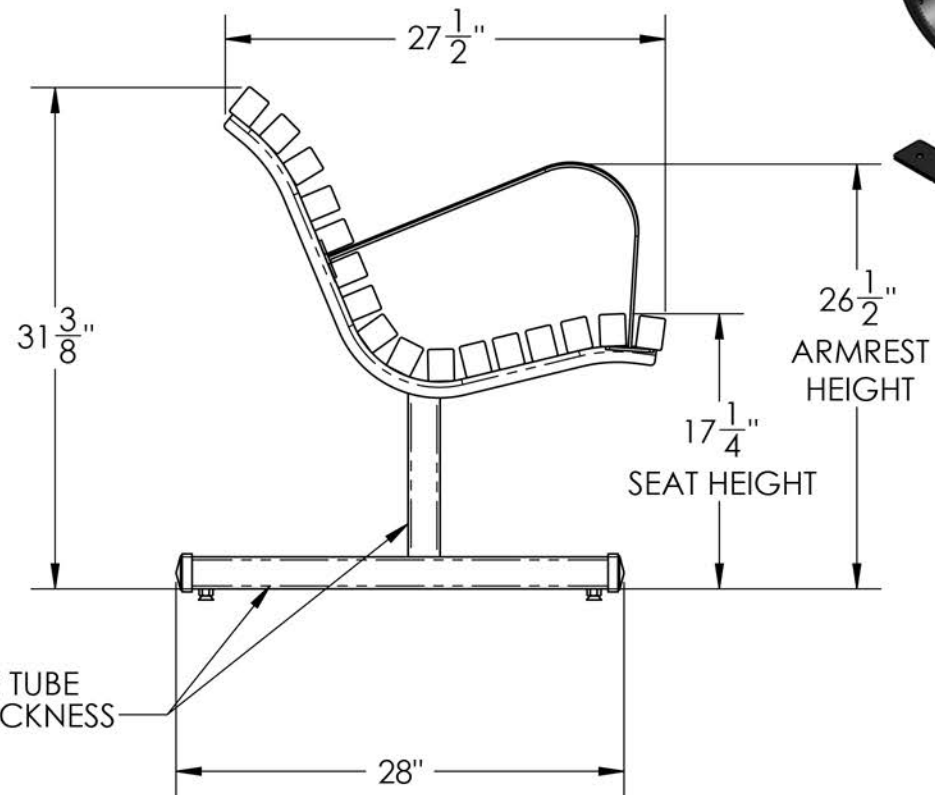
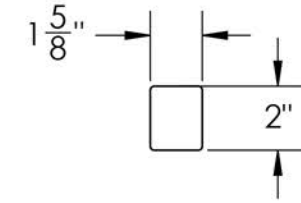
SURFACE MOUNT (SM)

LEVELING FEET AVAILABLE WITH FREE STANDING OPTION

OAK OR REDWOOD SLATS

ARMREST AVAILABLE UPON REQUEST

OAK OR REDWOOD SLATS



2"X2" SQUARE TUBE  
.095 WALL THICKNESS

