

PRODUCT SPECIFICATIONS

MOUNTING BASE TYPE INCLUDE:

FREE STANDING MOUNT (FS)

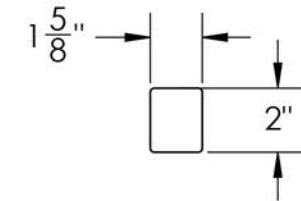
IN-GROUND MOUNT (IM)

SURFACE MOUNT (SM)

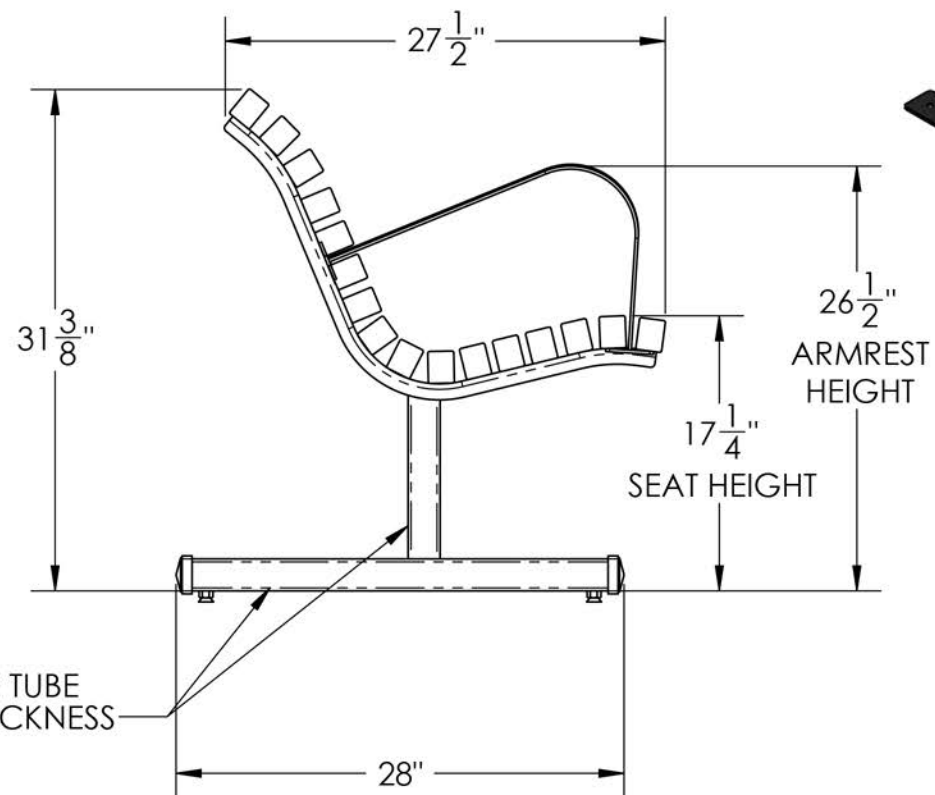
OAK OR REDWOOD SLATS

ARMREST AVAILABLE UPON REQUEST

OAK OR REDWOOD SLATS



LEVELING FEET AVAILABLE WITH FREE STANDING OPTION



2"X2" SQUARE TUBE
.095 WALL THICKNESS

28"

