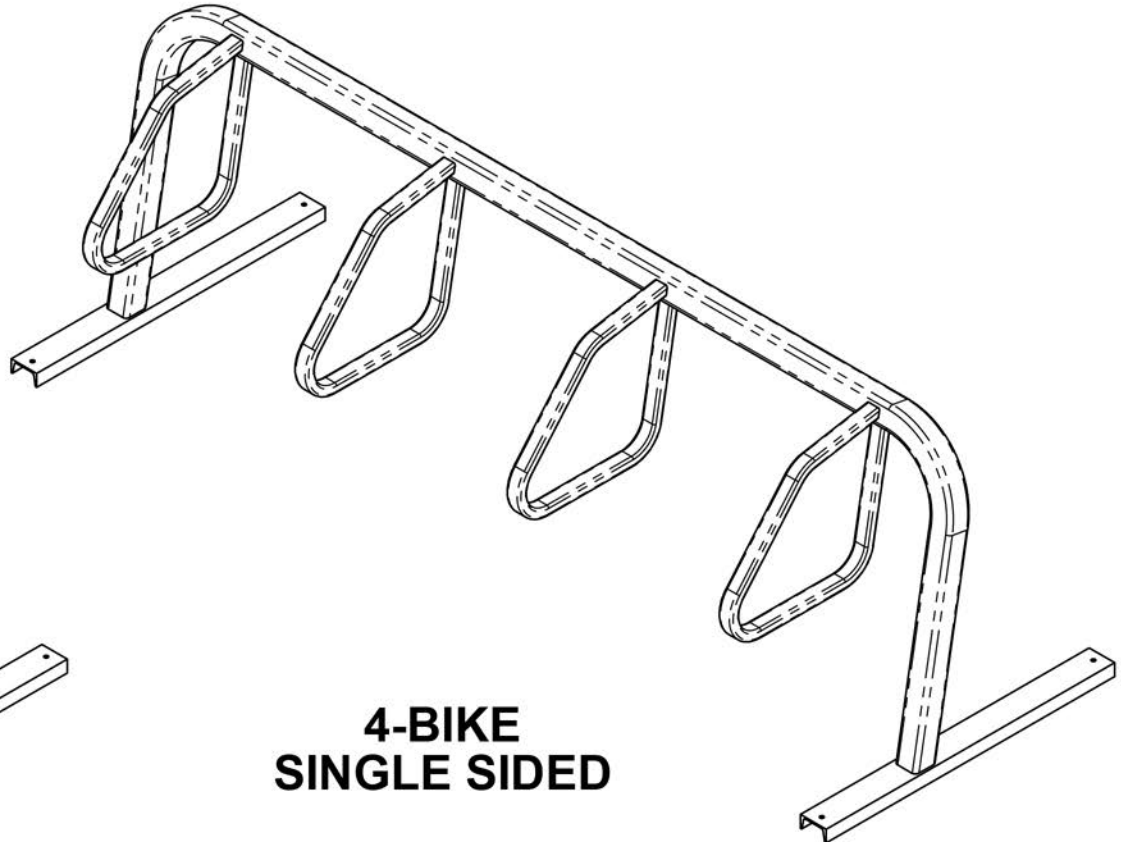


**3-BIKE  
SINGLE SIDED**



**4-BIKE  
SINGLE SIDED**

**NOTES:**

1. DO NOT SCALE DRAWING.
2. INSTALLATION TO BE COMPLETED IN ACCORDANCE WITH MANUFACTURER'S SPECIFICATIONS.
3. FINISHING OPTIONS INCLUDE SUPER DURABLE POLYESTER POWDERCOAT AND HOT DIP GALVANIZING.
4. SEE WEBSITE OR CATALOG FOR POLYESTER POWDERCOAT COLOR OPTIONS.



**5-BIKE  
SINGLE SIDED**



**6-BIKE  
SINGLE SIDED**

TABULATION

BLACK P/N	COLOR P/N	GALVANIZED P/N	# OF BIKES	L1 (IN.)	WEIGHT (LBS)
2403	2403C	2403G	3	71.0	102.0
2406	2406C	2406G	4	96.0	121.2
2409	2409C	2409G	5	121.0	140.4
2412	2412C	2412G	6	146.0	159.6

