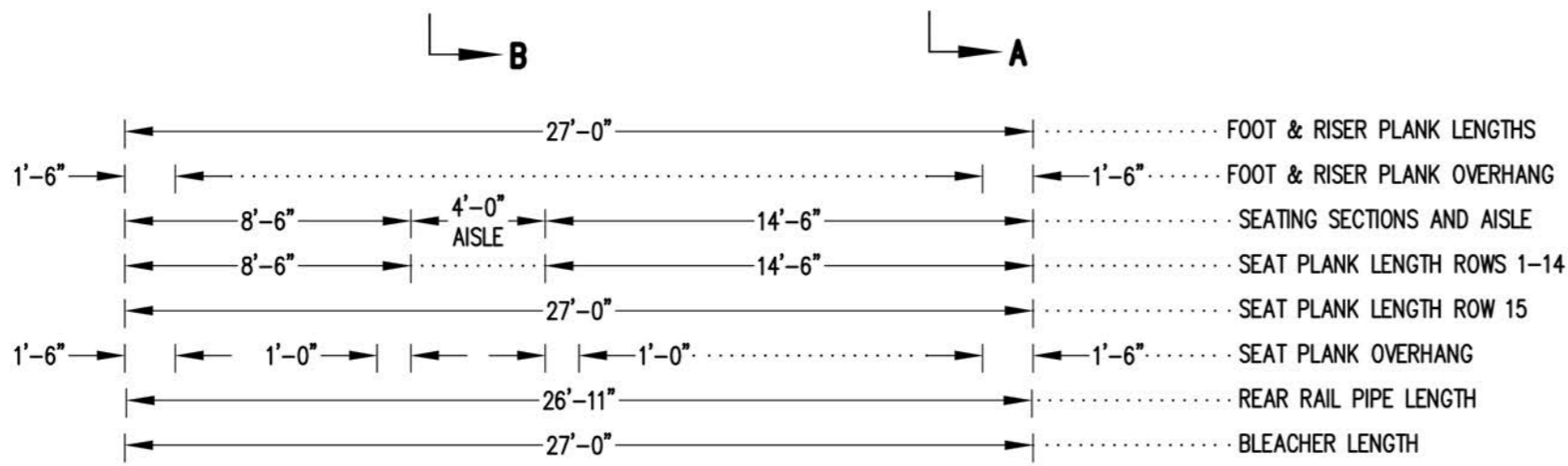
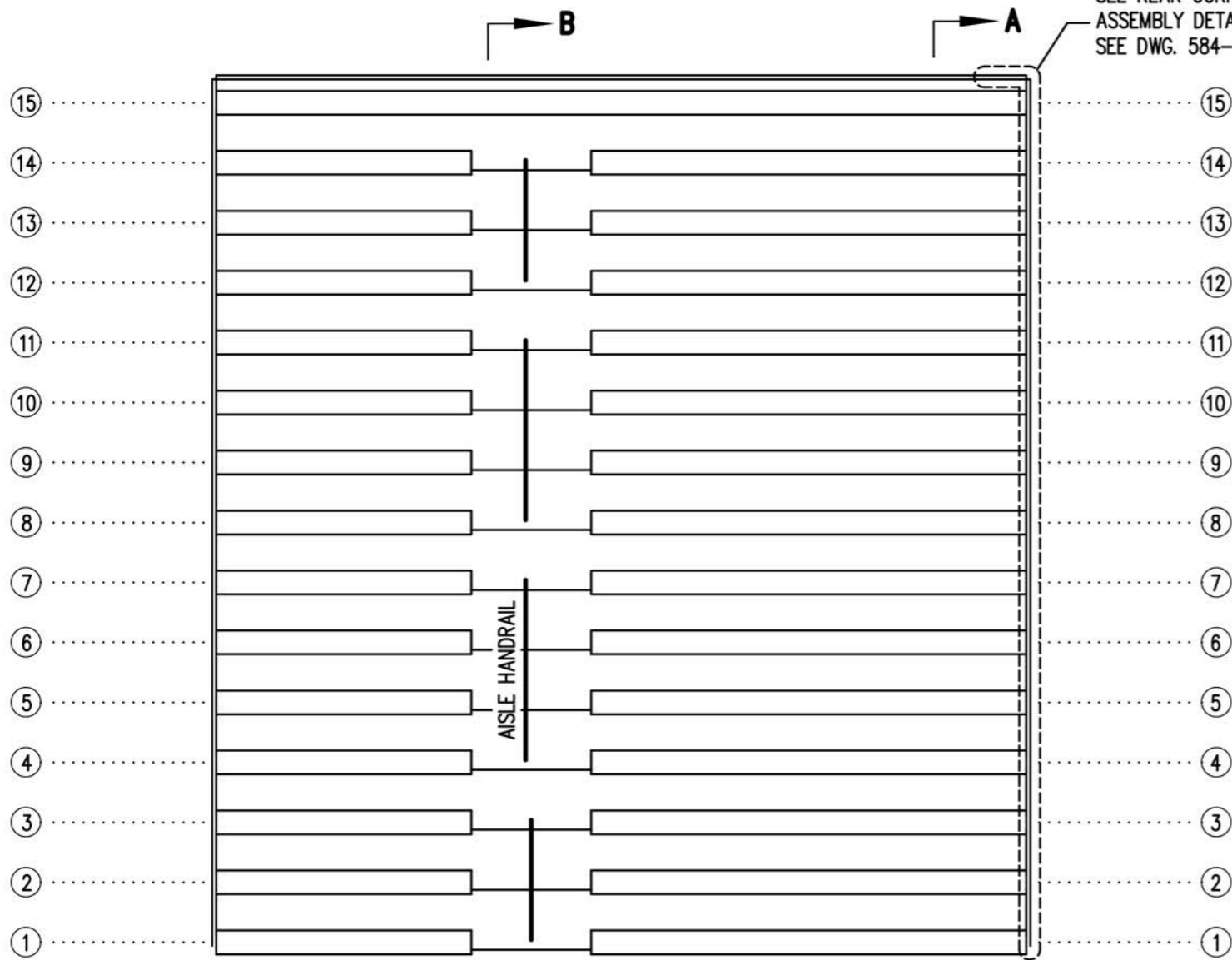
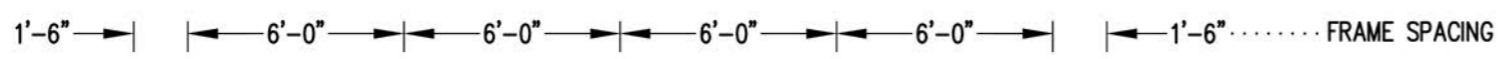
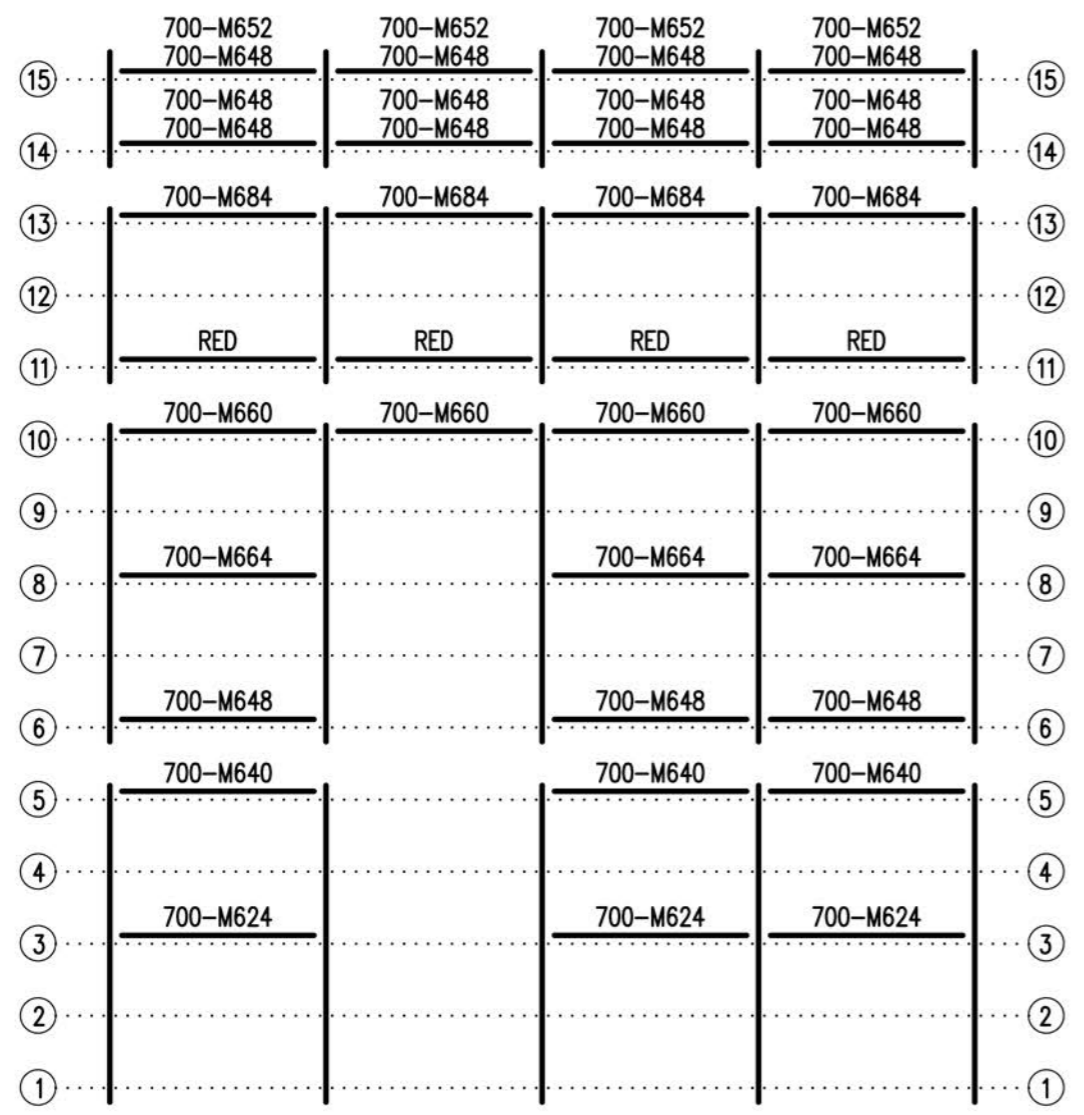


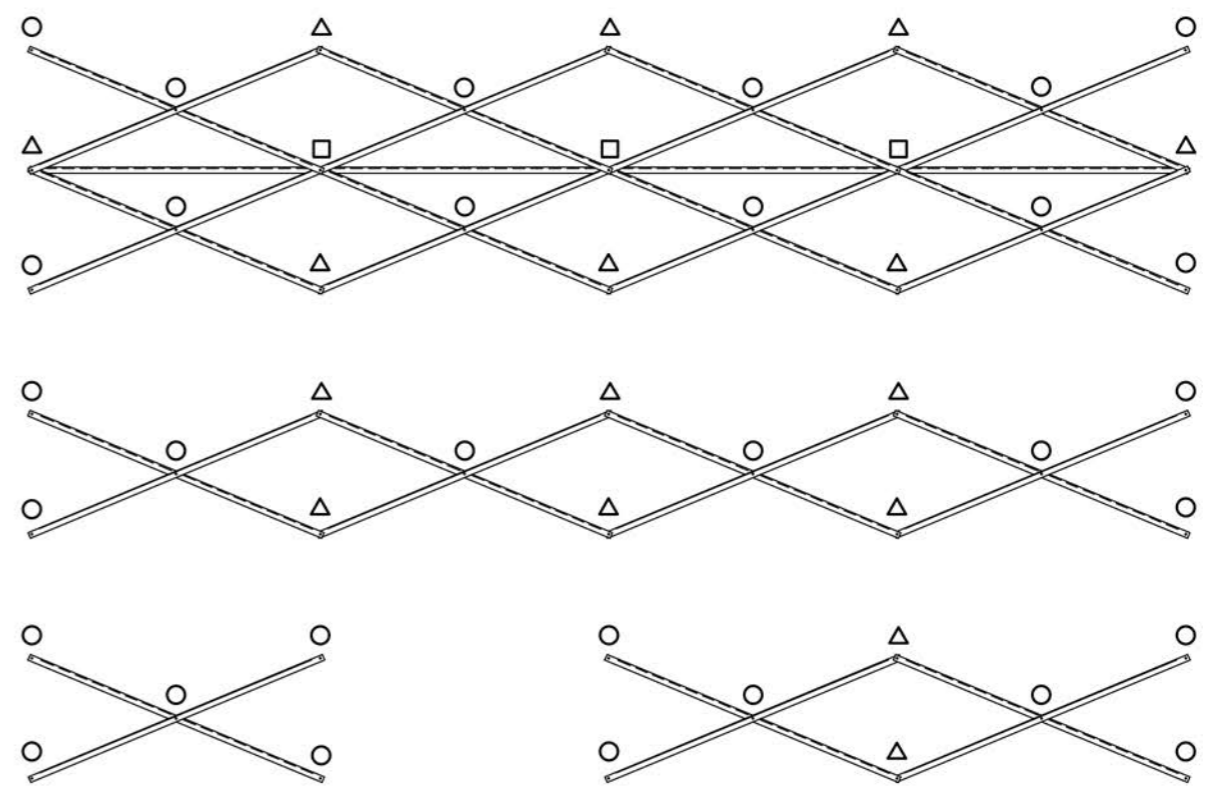
SEE REAR CORNER TIE
ASSEMBLY DETAIL
SEE DWG. 584-E1990



SEATING PLAN
3/16" = 1'-0"
214 NET SEATS @ 18" PER SEAT



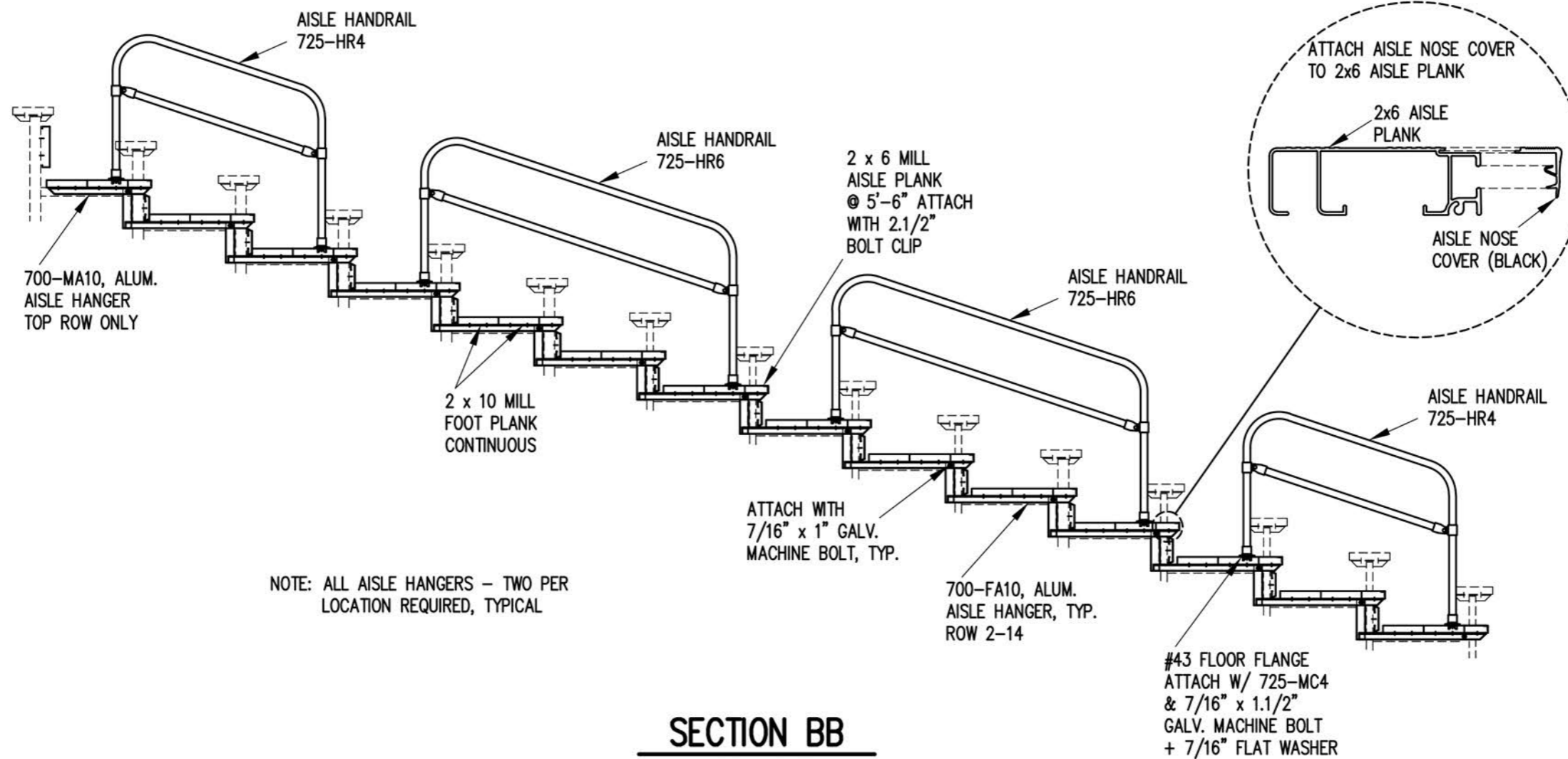
FRAMING PLAN
 3/16" = 1'-0"

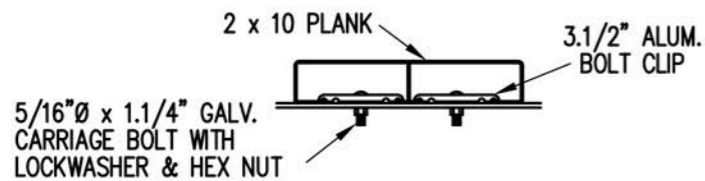


X-BRACE DETAIL

N.T.S.

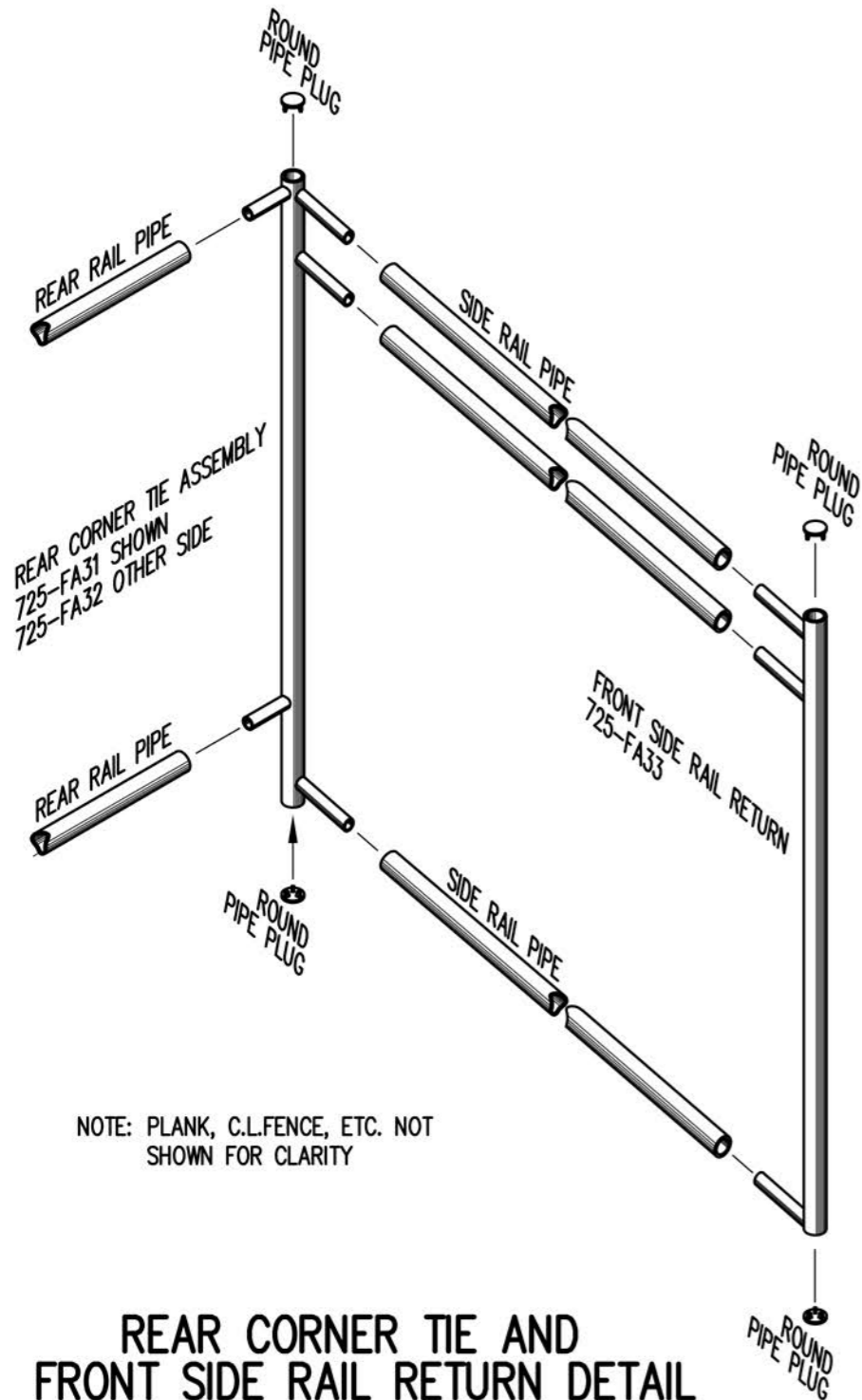
- 7/16" X 1" GALV. MACH. BOLT
- △ 7/16" X 1.1/2" GALV. MACH. BOLT
- 7/16" X 3" GALV. MACH. BOLT





BOLT CLIP DETAIL

1.1/2" = 1'-0"



REAR CORNER TIE AND FRONT SIDE RAIL RETURN DETAIL

3/4" = 1'-0"



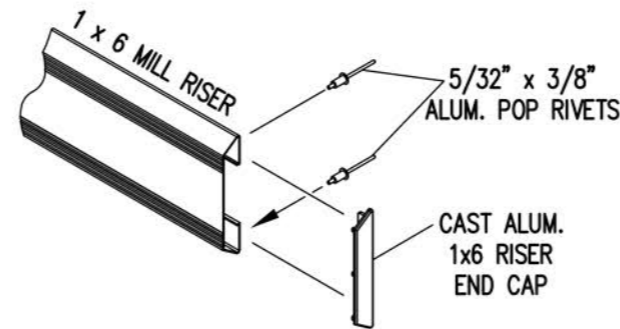
FIG. 1

FIG. 2

- 1) LOCATE THE CHANNEL END CAP AS SHOWN IN FIG. 1.
- 2) TAP END CAP INTO PLACE WITH RUBBER Mallet OR SOFT WOOD. FIG. 2
- 3) DRILL 5/32" HOLES THROUGH THE BOTTOM FLANGE AND THE BOTTOM OUTSIDE PLANK FLANGES OF EACH PLANK. INSTALL 5/32" POP RIVETS.

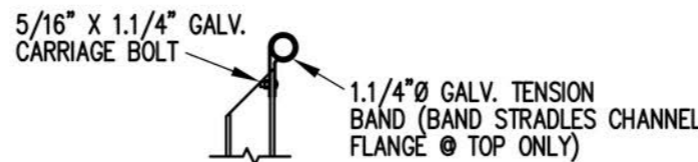
END CAP DETAIL

N.T.S.

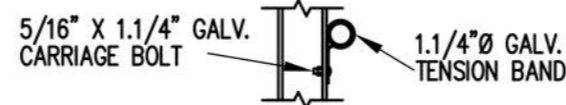


1 x 6 RISER END CAP

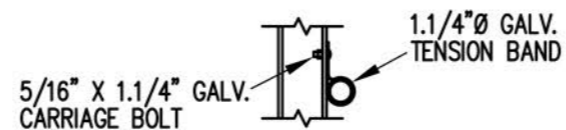
N.T.S.



TOP RAIL

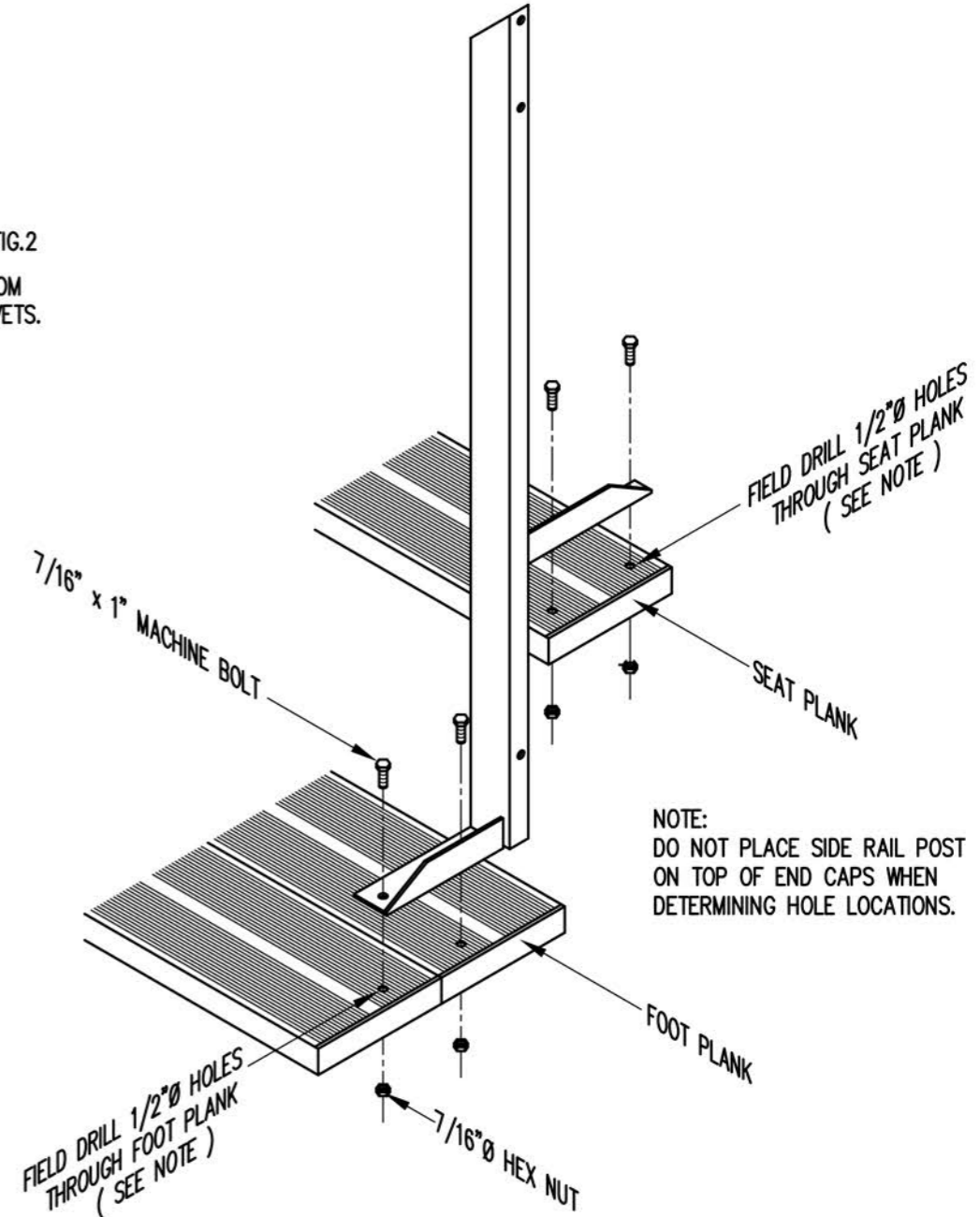


MID RAIL



LOWER RAIL

3/4" = 1'-0"



TYP. SIDE RAIL POST ATTACHMENT

1" = 1'-0"

NOTE: PLANK, C.L.FENCE, ETC. NOT SHOWN FOR CLARITY

NOTE: DO NOT PLACE SIDE RAIL POST ON TOP OF END CAPS WHEN DETERMINING HOLE LOCATIONS.

FIELD DRILL 1/2" Ø HOLES THROUGH FOOT PLANK (SEE NOTE)

FIELD DRILL 1/2" Ø HOLES THROUGH SEAT PLANK (SEE NOTE)

REAR CORNER TIE ASSEMBLY
725-FA31 SHOWN
725-FA32 OTHER SIDE

FRONT SIDE RAIL RETURN
725-FA33