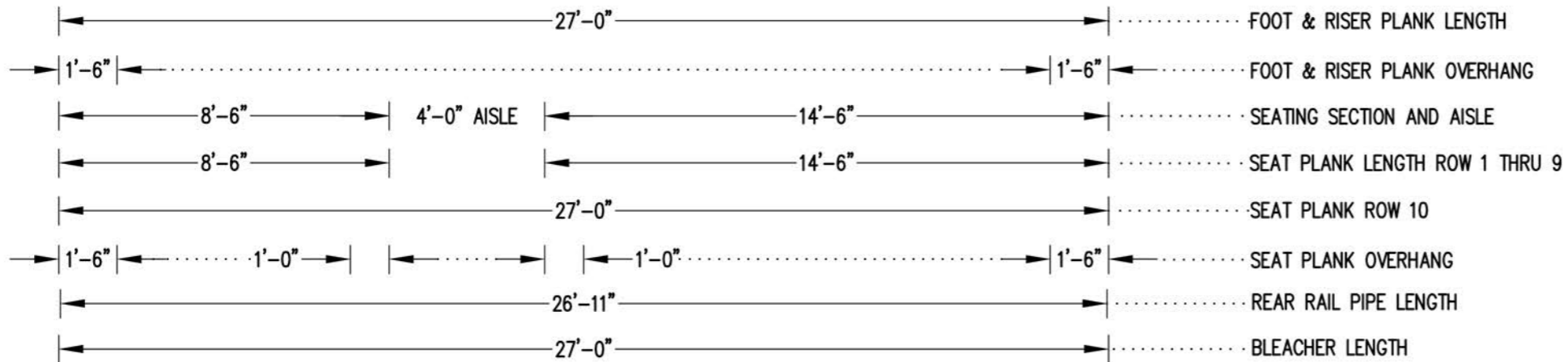
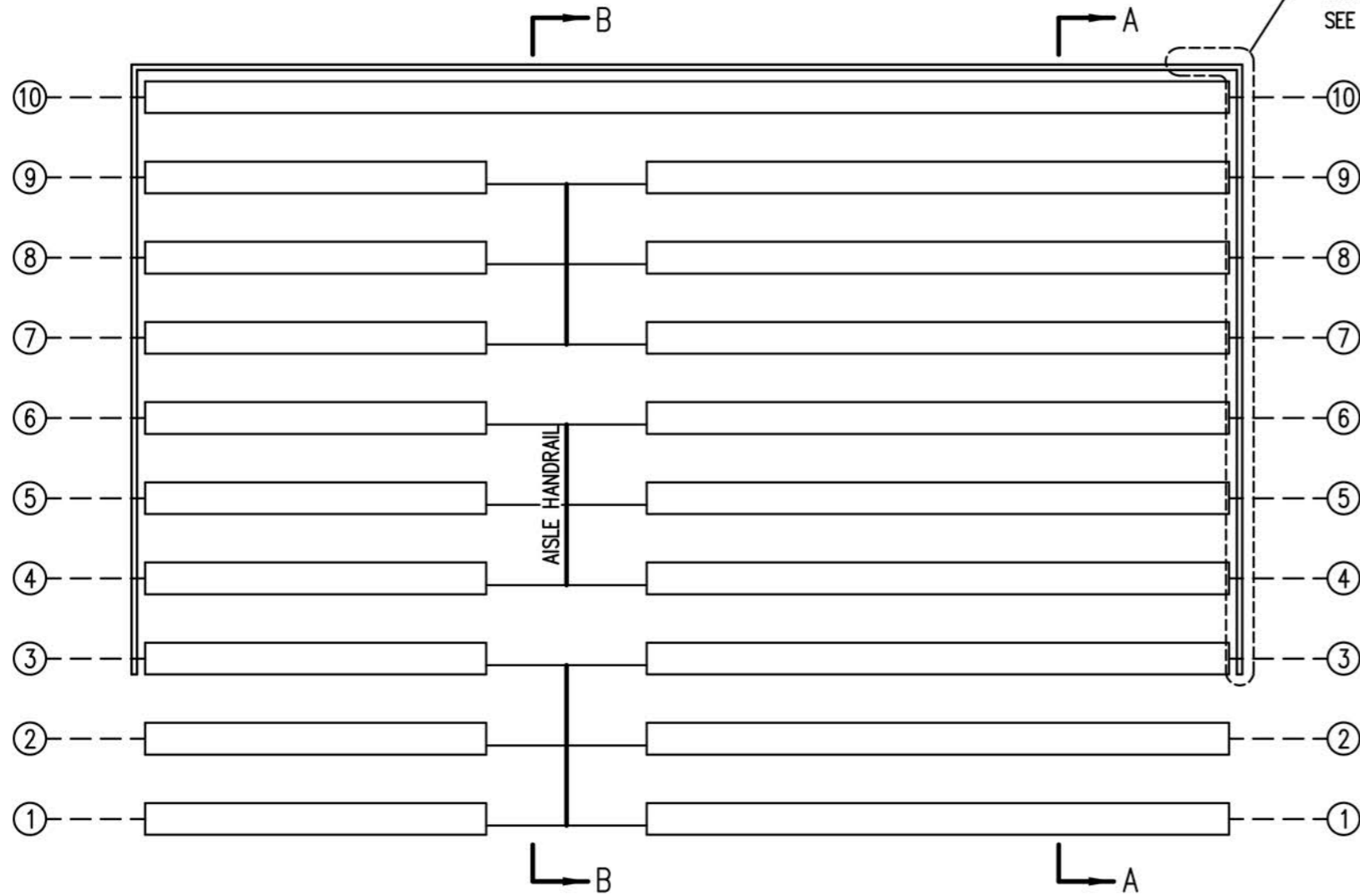


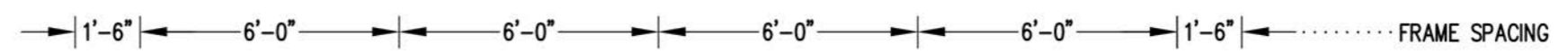
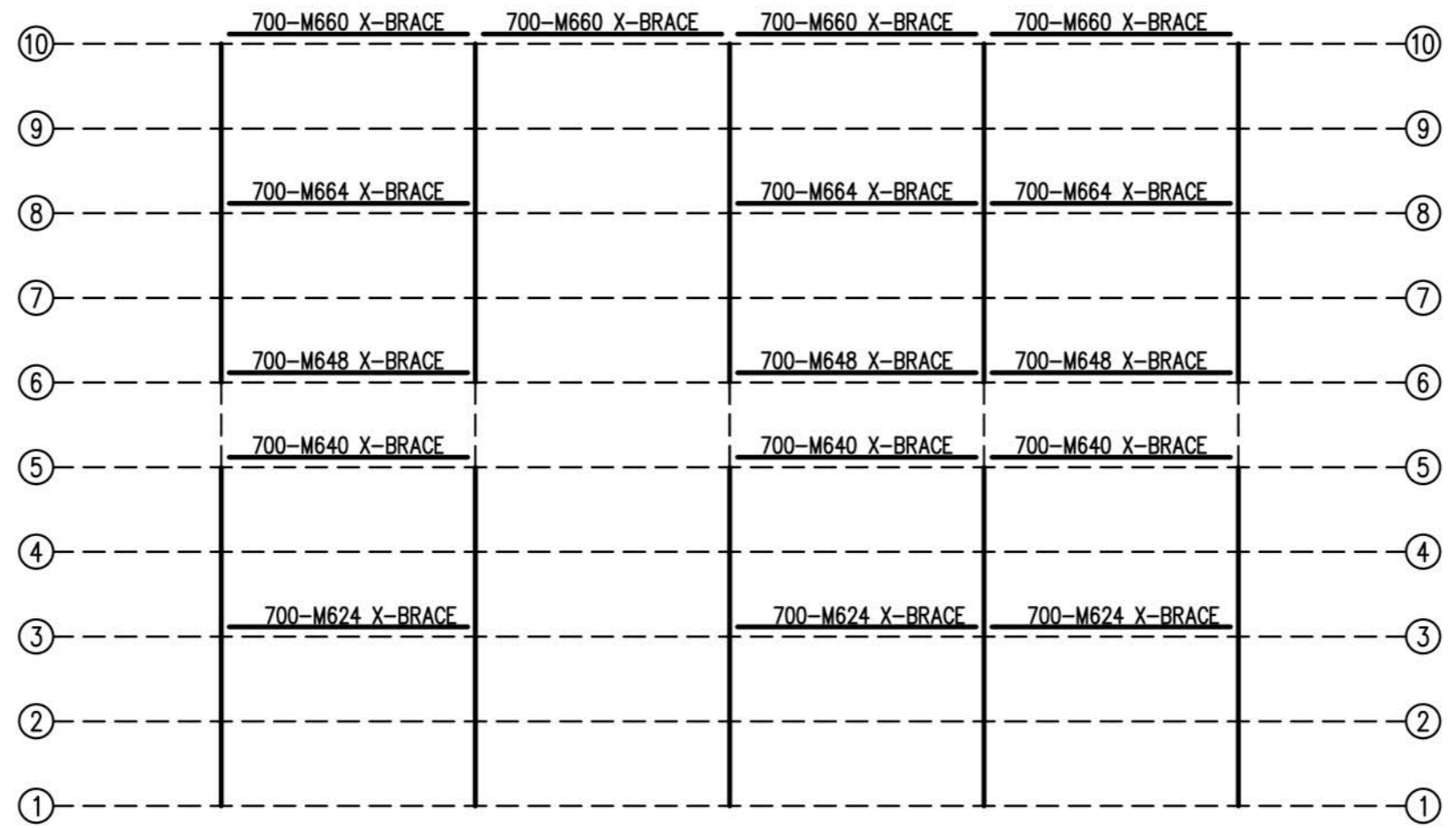
SEE REAR CORNER TIE
ASSEMBLY DETAIL
SEE DWG. 584-E1990



SEATING PLAN

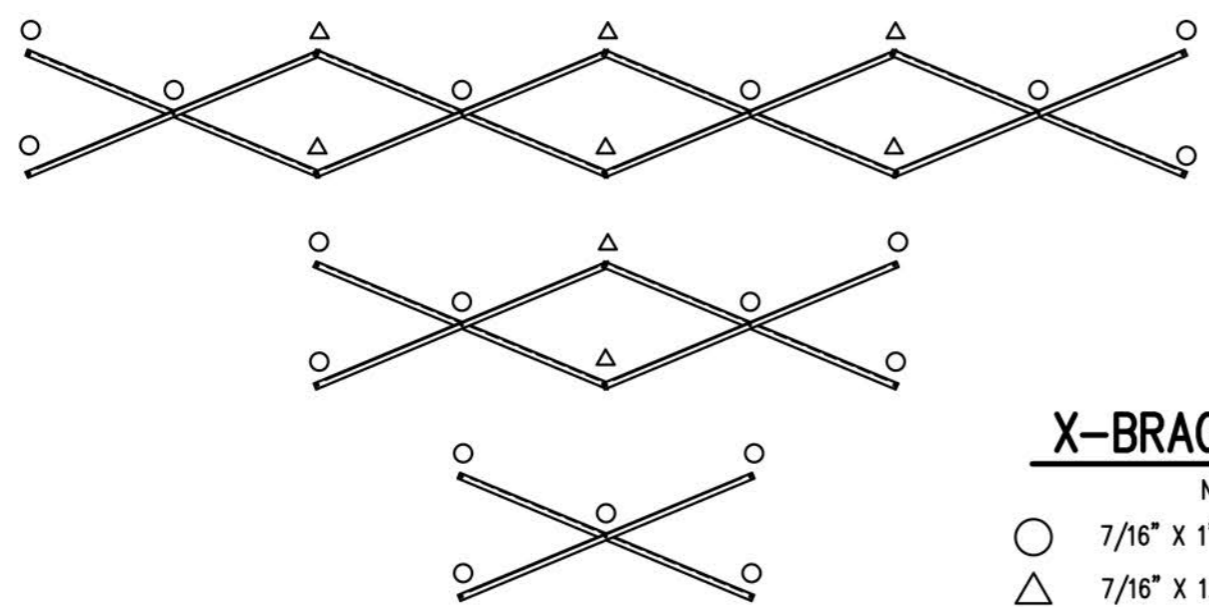
1/4" = 1'-0"

144 NET SEAT @ 18" PER SEAT



FRAMING PLAN

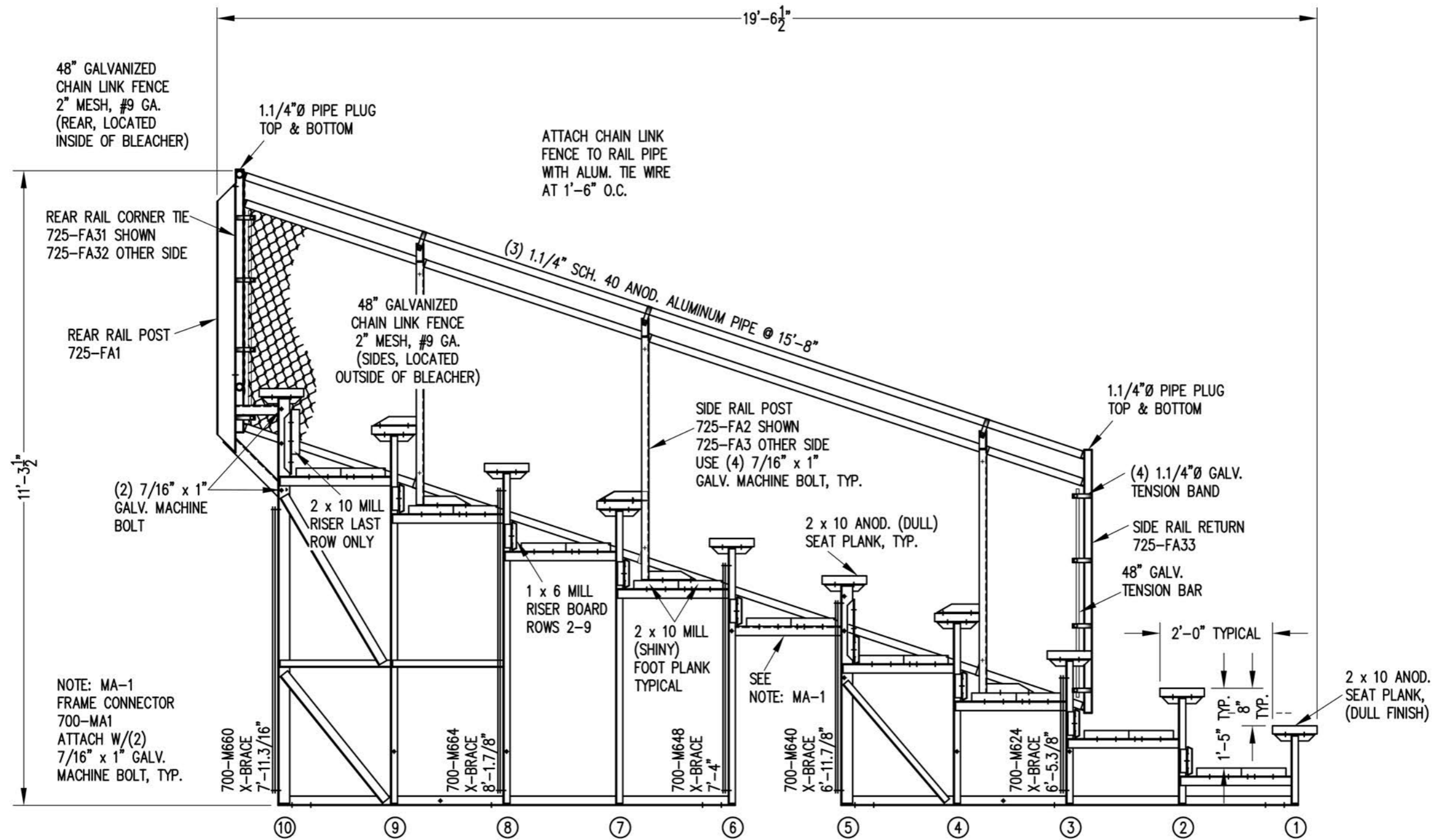
1/4" = 1'-0"



X-BRACE DETAIL

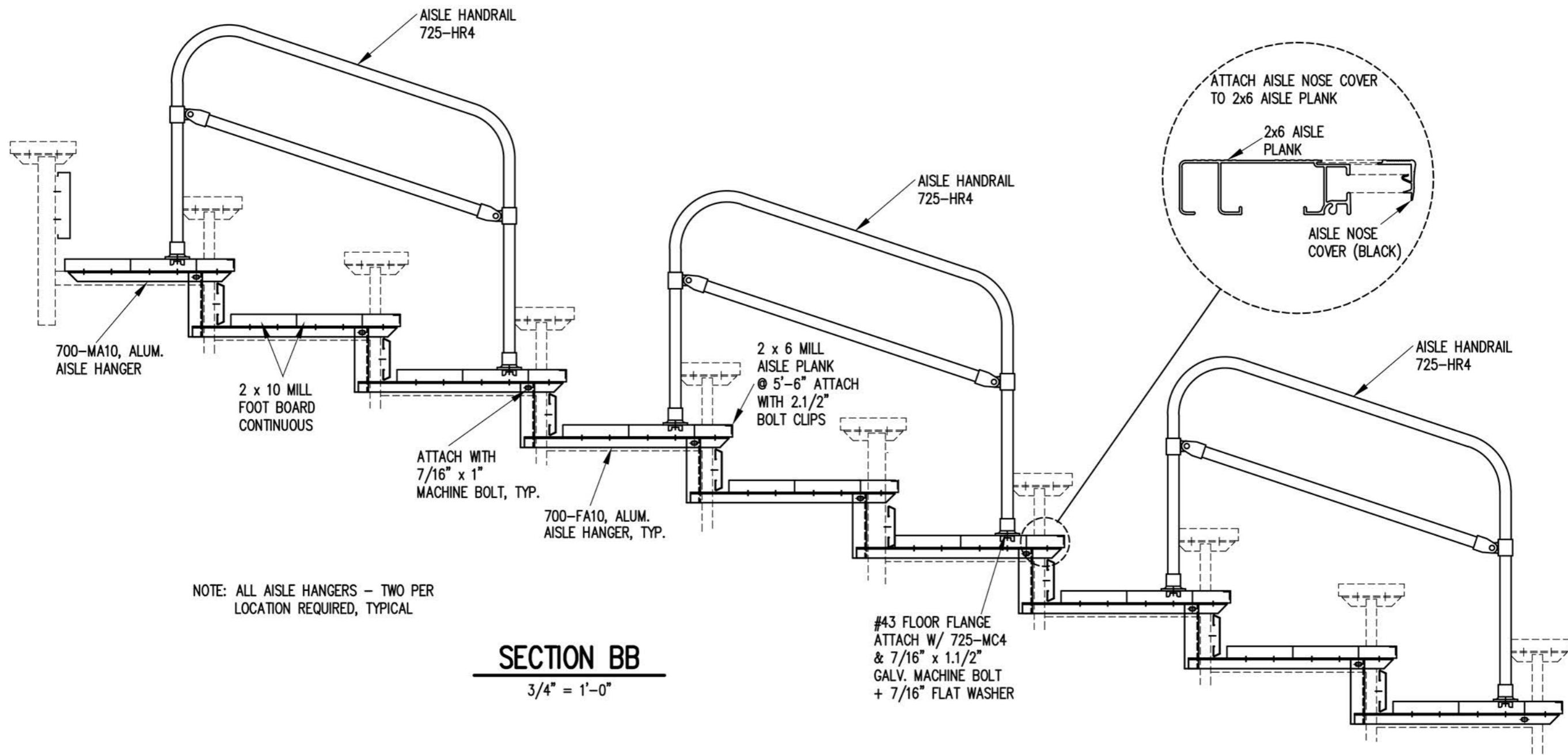
N.T.S.

- 7/16" X 1" GALV. MACH. BOLT
- △ 7/16" X 1.1/2" GALV. MACH. BOLT



SECTION AA

1/2" = 1'-0"



AISLE HANDRAIL
725-HR4

700-MA10, ALUM.
AISLE HANGER

2 x 10 MILL
FOOT BOARD
CONTINUOUS

ATTACH WITH
7/16" x 1"
MACHINE BOLT, TYP.

700-FA10, ALUM.
AISLE HANGER, TYP.

2 x 6 MILL
AISLE PLANK
@ 5'-6" ATTACH
WITH 2.1/2"
BOLT CLIPS

AISLE HANDRAIL
725-HR4

ATTACH AISLE NOSE COVER
TO 2x6 AISLE PLANK

2x6 AISLE
PLANK

AISLE NOSE
COVER (BLACK)

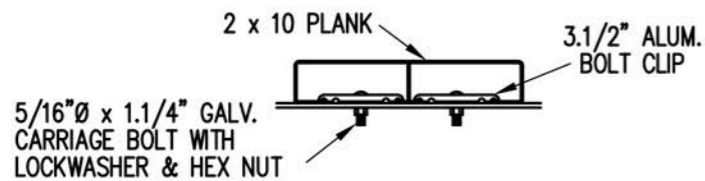
AISLE HANDRAIL
725-HR4

#43 FLOOR FLANGE
ATTACH W/ 725-MC4
& 7/16" x 1.1/2"
GALV. MACHINE BOLT
+ 7/16" FLAT WASHER

NOTE: ALL AISLE HANGERS - TWO PER
LOCATION REQUIRED, TYPICAL

SECTION BB

3/4" = 1'-0"



BOLT CLIP DETAIL

1.1/2" = 1'-0"

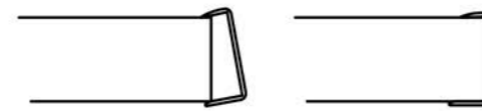


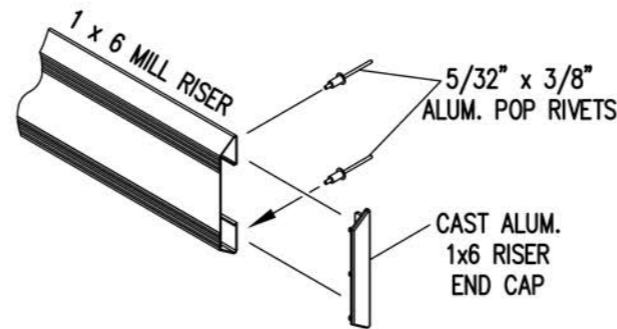
FIG. 1

FIG. 2

- 1) LOCATE THE CHANNEL END CAP AS SHOWN IN FIG. 1.
- 2) TAP END CAP INTO PLACE WITH RUBBER Mallet OR SOFT WOOD. FIG. 2
- 3) DRILL 5/32" HOLES THROUGH THE BOTTOM FLANGE AND THE BOTTOM OUTSIDE PLANK FLANGES OF EACH PLANK. INSTALL 5/32" POP RIVETS.

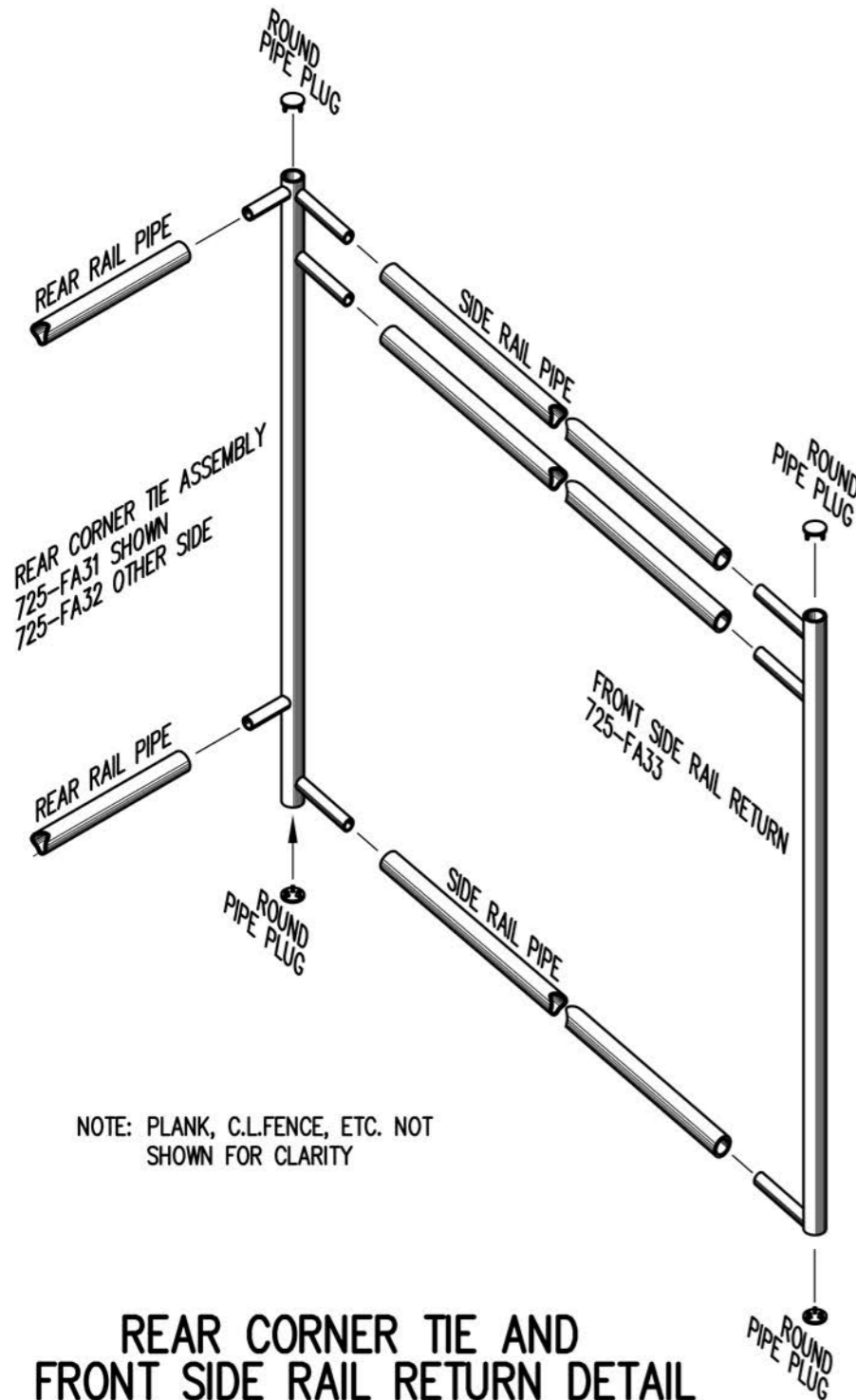
END CAP DETAIL

N.T.S.



1 x 6 RISER END CAP

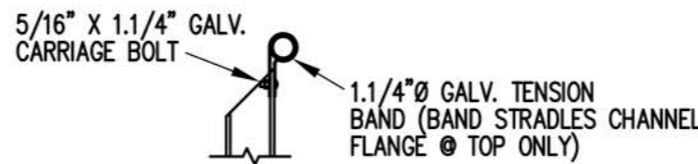
N.T.S.



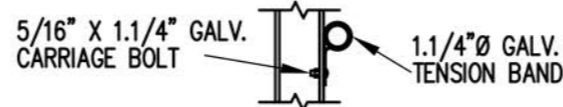
NOTE: PLANK, C.L.FENCE, ETC. NOT SHOWN FOR CLARITY

REAR CORNER TIE AND FRONT SIDE RAIL RETURN DETAIL

3/4" = 1'-0"



TOP RAIL

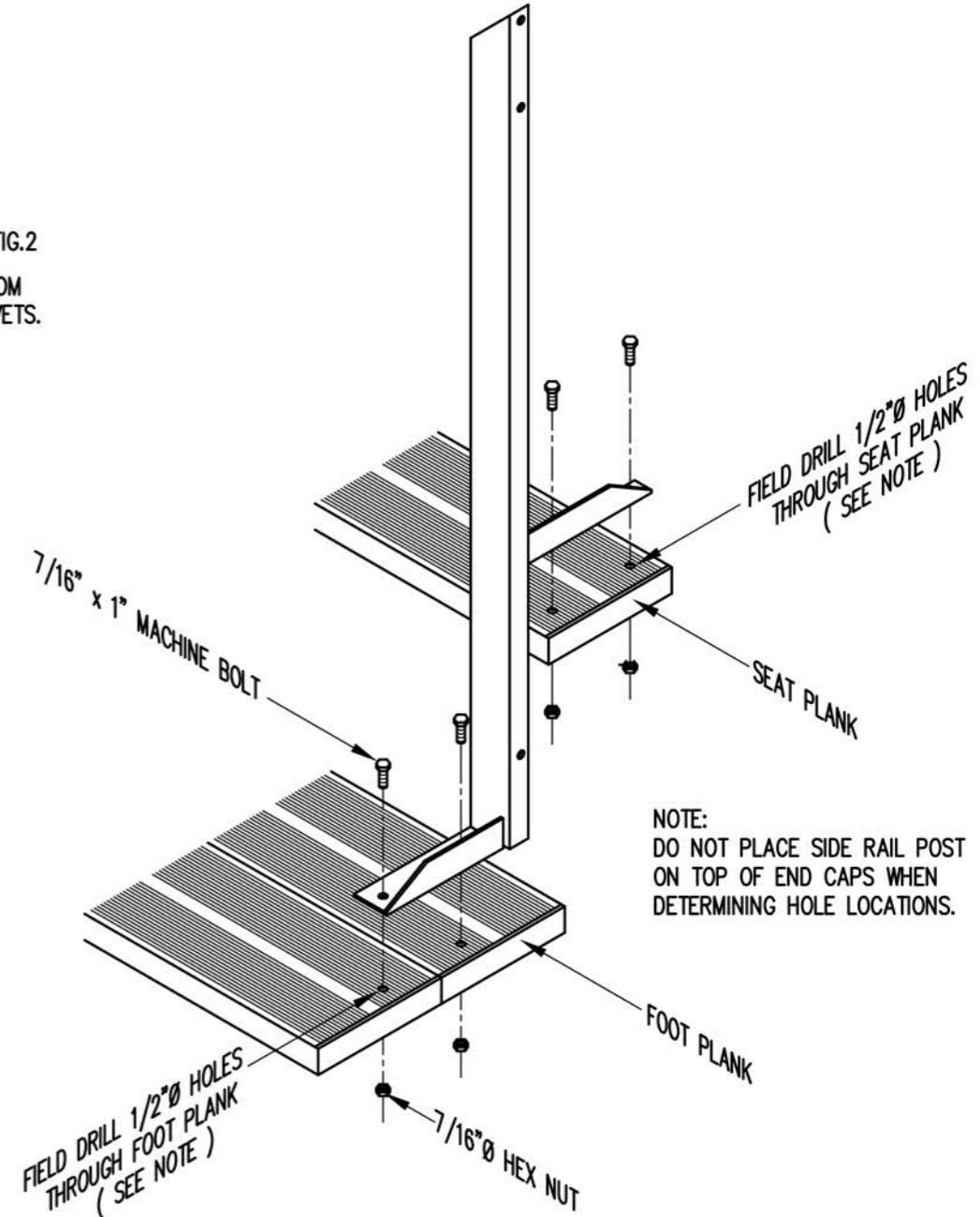


MID RAIL



LOWER RAIL

3/4" = 1'-0"



NOTE: DO NOT PLACE SIDE RAIL POST ON TOP OF END CAPS WHEN DETERMINING HOLE LOCATIONS.

TYP. SIDE RAIL POST ATTACHMENT

1" = 1'-0"