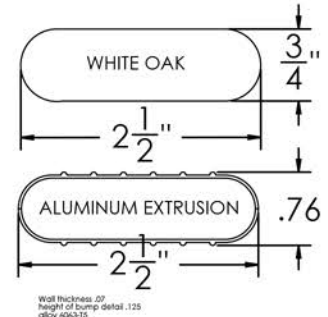


# PRODUCT SPECIFICATIONS

- All metal fabricated parts are etched, phosphatized, preheated, primer powder coated, and final coat electrostatically powder coated.
- Colors include: Black, Evergreen, Dark Green White, Tan, Dark Brown, and Blue.
- Special order colors available.
- This product can ship either knocked down or assembled.



Slats Are Formed From  
Astm 1018 Cold  
Rolled Steel Bar.  
1 1/2" x 3/16"

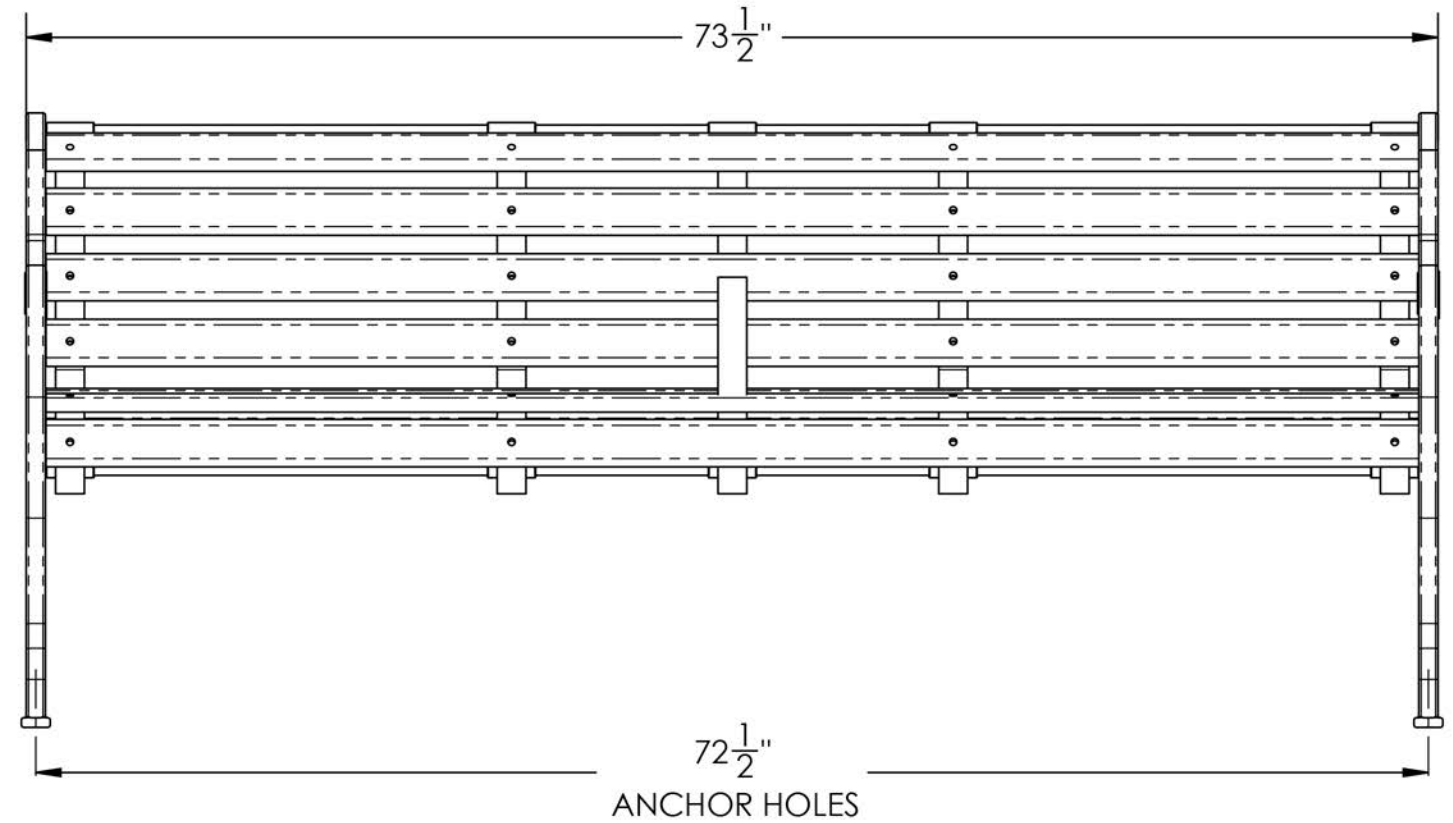
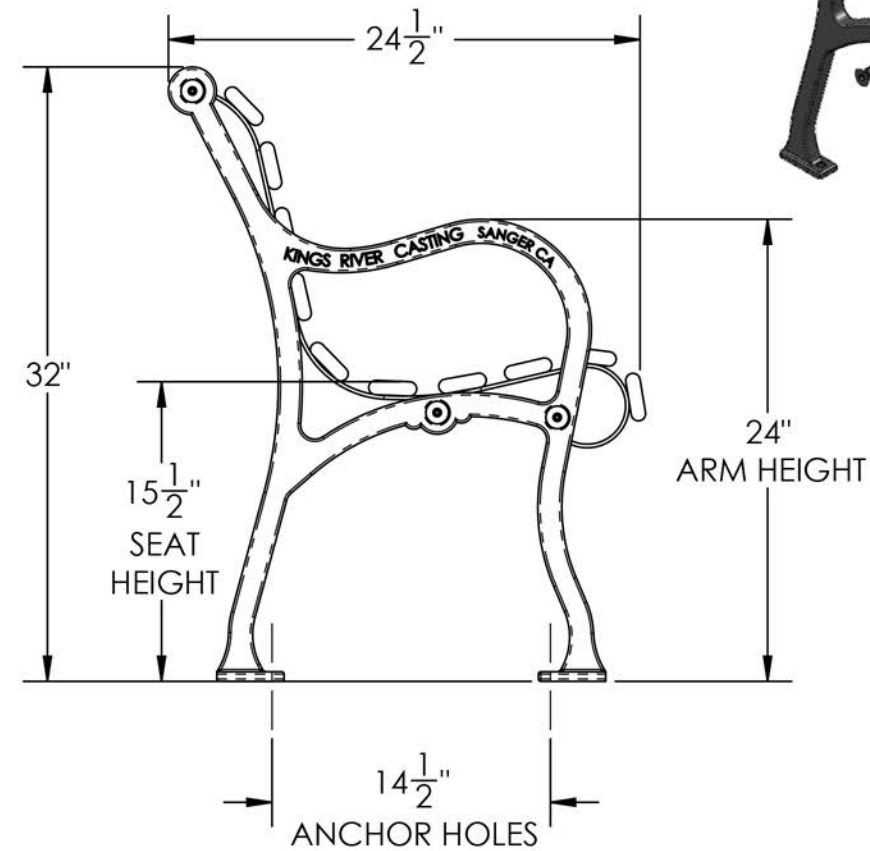
1 1/4" x .120  
Wall Round Tube  
Supports

65-45-12 Ductile  
Iron Castings

Hardware:  
(6) 1/2" x 2 1/2"  
Stainless Steel Flat  
Head Bolts

Center Arm Rest  
Available Upon  
Request

(4) Ø1/2"  
Mounting Holes



**NOTE:**

It is not recommended to locate anchor bolts until the bench is in place. Anchor bolts not included.