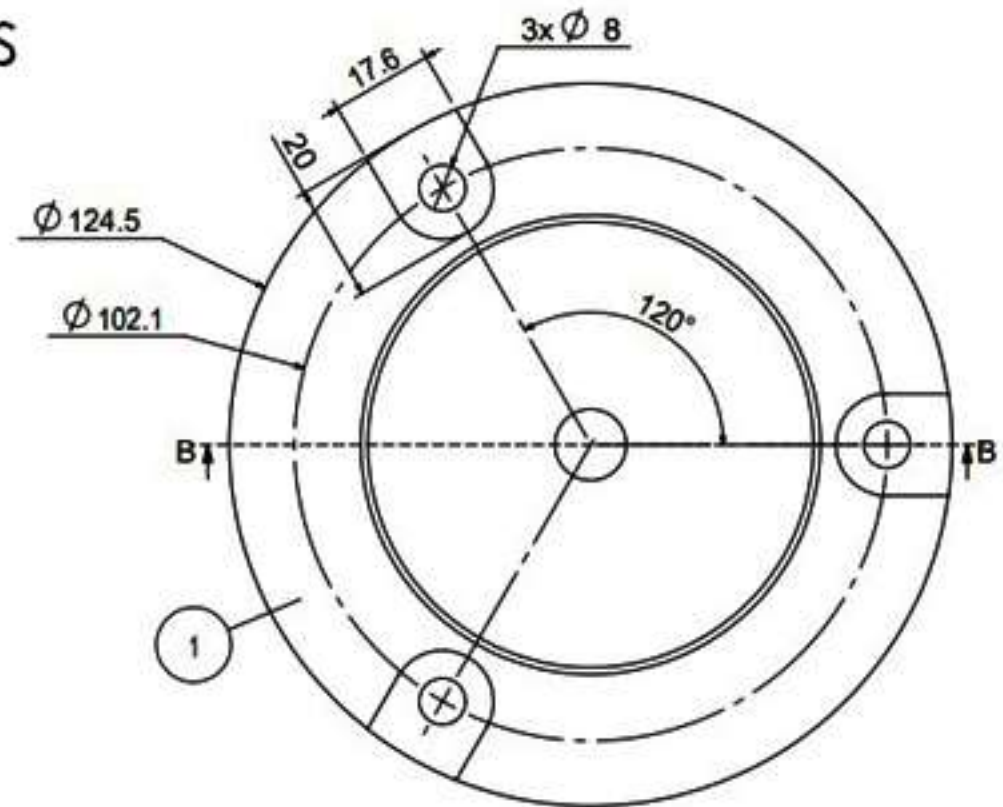
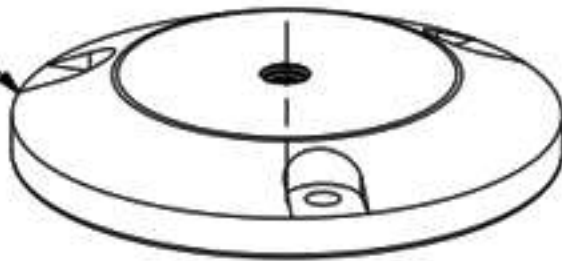
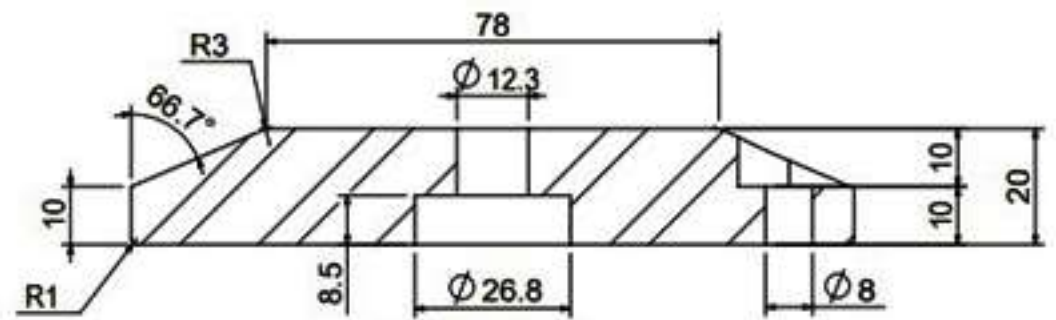


# Fixed Base Specifications

FIXED-BASE-1  
steel



GB-T5781-2000, M12x90  
stainless steel



SECTION B-B  
SCALE 1 : 1.5