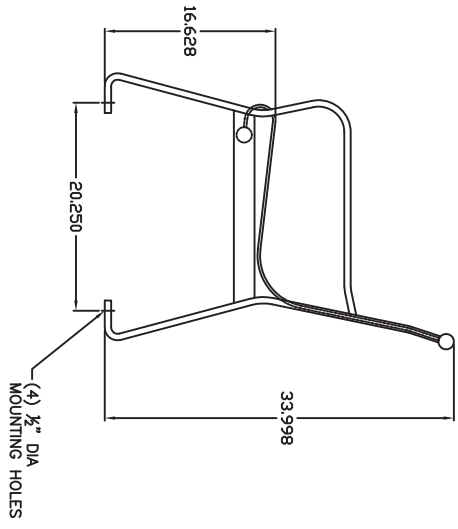
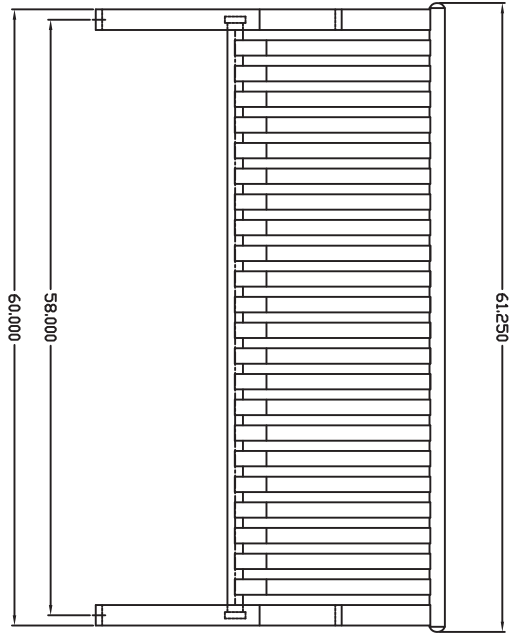




MANUFACTURED BY:  
**CW** CROWD CONTROL  
**WAREHOUSE**



REVISIONS			DRAWN BY			JOB			REMARKS		
NO.	DATE	BY	NO.	DATE	BY	TITLE	SCALE	JOB NO.	DATE	FINISH	DATE
1			4						10-17-08		
2			5								
3			6								

HF 2208