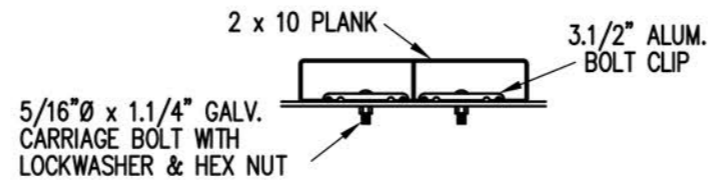


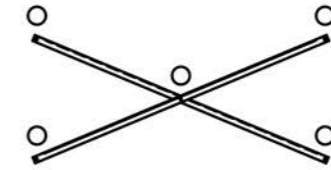
### SEAT & FRAMING PLAN

1/4" = 1'-0"  
20 NET SEATS @ 18" PER SEAT



### BOLT CLIP DETAIL

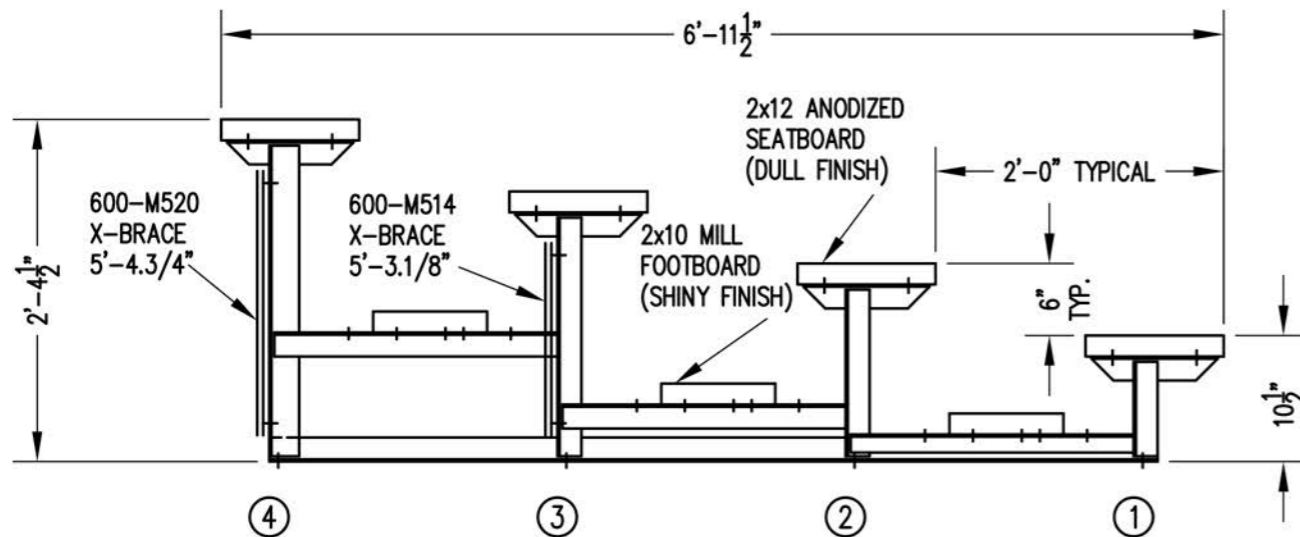
1.1/2" = 1'-0"



### X-BRACE DETAIL

N.T.S.

○ 7/16" X 1" GALV. MACH. BOLT



### SECTION AA

3/4" = 1'-0"

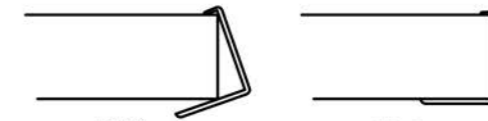



FIG.1

FIG.2

- 1) LOCATE THE CHANNEL END CAP AS SHOWN IN FIG. 1.
- 2) TAP END CAP INTO PLACE WITH RUBBER Mallet OR SOFT WOOD. FIG.2
- 3) DRILL TWO 5/32" HOLES THROUGH THE BOTTOM FLANGE AND THE BOTTOM OUTSIDE PLANK FLANGES. INSTALL TWO 3/16" DRIVE RIVETS. (2 PER PLANK)

### END CAP DETAIL

N.T.S.

		Outdoor Aluminum		P.O. BOX 118 GENEVA, ALABAMA 36340 334-684-2296	
		SCALE	AS NOTED	REVISIONS	BY
DATE	12/3/08				
DR'N	JAW	CKD			
AP'VD					
TITLE				NO.	
LSG 4-7.5 SEATING/FRAMING PLAN				564-E1066	