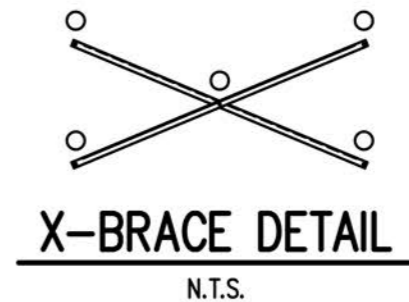
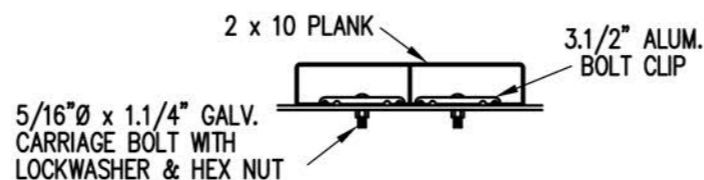


SEAT & FRAMING PLAN

1/4" = 1'-0"
 18 NET SEATS @ 18" PER SEAT

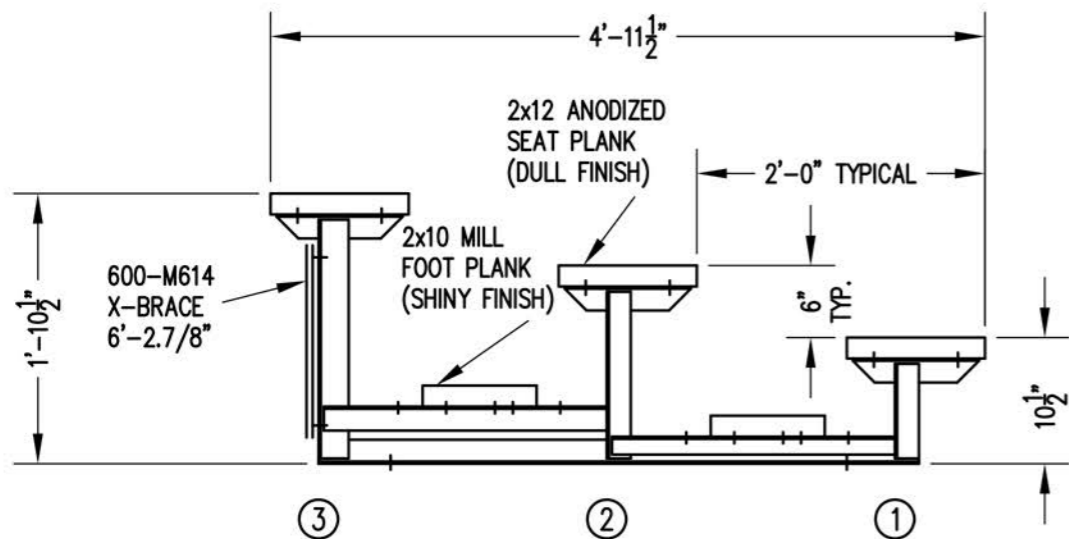


○ 7/16" X 1" GALV. MACH. BOLT



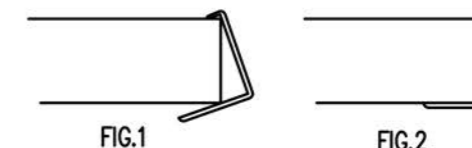
BOLT CLIP DETAIL

1.1/2" = 1'-0"



SECTION AA

3/4" = 1'-0"



- 1) LOCATE THE CHANNEL END CAP AS SHOWN IN FIG. 1.
- 2) TAP END CAP INTO PLACE WITH RUBBER Mallet OR SOFT WOOD. FIG. 2
- 3) DRILL TWO 5/32" HOLES THROUGH THE BOTTOM FLANGE AND THE BOTTOM OUTSIDE PLANK FLANGES. INSTALL TWO 3/16" DRIVE RIVETS. (2 PER PLANK)

END CAP DETAIL

N.T.S.