



MANUFACTURED BY:
CW CROWD CONTROL WAREHOUSE



LED Modules

SPECIFICATION SUMMARY



Model: RM - O1 -	13	23
Wattage @120VAC:	≤13	≤23
Lumens @ 4000K CCT:	1000	1900
Dimensions - Max Diameter / Height:	3.50in. / 1.08in.	6.18in. / 1.32in
Power:	120VAC 50/60Hz	
Available CCT:	4000K	
CRI:	≥80	
Compliance:	UL 1598 / FCC Compliant Class B	
Power Factor:	≥.98	
Dimming:	AC Triac Standard	
L70 Lifespan (TM21 Calculated):	≥50,000 hrs.	
Optional Surge Protection:	On Board - Line Voltage	
Lens:	Optical Grade - Polycarbonate	
Max. Ambient Operating Range:	-25°C - +80°C	
Limited Warranty:	10 Yrs.	

Notes: All values nominal.

PART NUMBER SPECIFICATION				
RM-O1		-	-	-
Series:	Wattage:	CCT:	Voltage:	Surge Protection
	13 (13 Watt)	40 (4000K)	120 - (120VAC)	M (Line Voltage Surge Protection Installed)
	23 (23 Watt)			

PROJECT SPECIFICATION		
Project:	Part Numbers:	Quantity:
Approved:		
Date:		



MANUFACTURED BY:



277V To 120V Step Down Transformer

VT235

Ballast Type:	Voltage Transformer
Input Voltage:	277 VAC +5%, -10%
Input Frequency:	60Hz.

Unit Color:	Raw
Unit Weight:	0.70 lbs.

ELECTRICAL SPECIFICATIONS:

Line Voltage (V)	Output Voltage (V)	Max. Load V.A.	Wiring Diagram
277	120V	25	400

PERFORMANCE:

- Step-Down Voltage Transformer
- Clamped Core & Coil
- Meets ANSI Standard C82.1

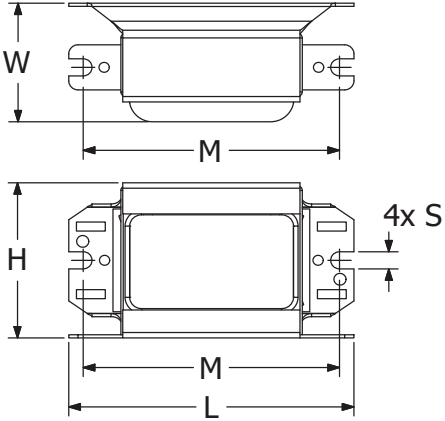
APPLICATION:

- Maximum case temperature: 194°F/90°C
- Maximum ambient temperature: 104°F/40°C

SAFETY/STANDARDS:

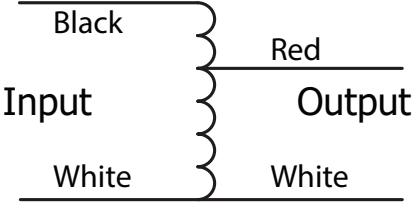
- UL/935 (Type 1 Outdoor) Recognized Component
- No PCB's
- RoHS Compliant

CASE STYLE: 2X



L	W	H	M	S
3 1/16	1 3/8	1 23/32	2 3/4	3/16
3.07	1.32	1.72	2.76	0.19
7.08 cm	3.35 cm	4.37 cm	7.01 cm	0.48 cm

WIRING DIAGRAM: 400



- Black: 12"
- White: 12"
- Red: 12"
- Tolerance: +1.00, -0.50
- Strip: 0.50" ± 0.060