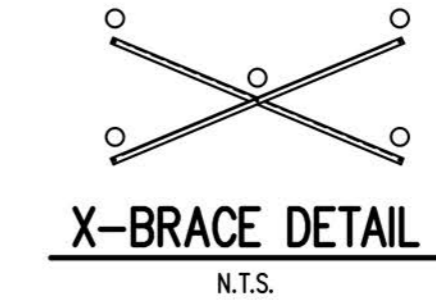


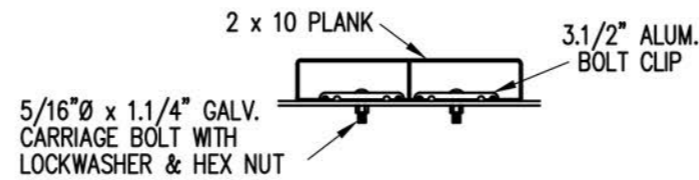
### SEAT & FRAMING PLAN

1/4" = 1'-0"

20 NET SEATS @ 18" PER SEAT



○ 7/16" X 1" GALV. MACH. BOLT



### BOLT CLIP DETAIL

1.1/2" = 1'-0"

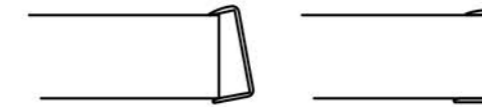


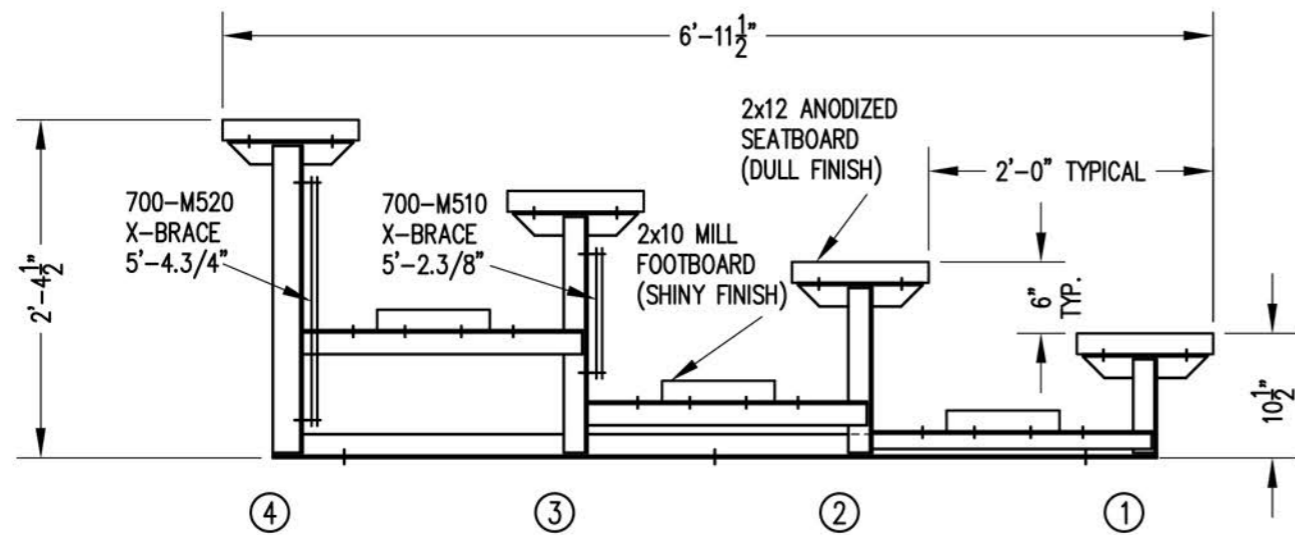
FIG.1

FIG.2

- 1) LOCATE THE CHANNEL END CAP AS SHOWN IN FIG. 1.
- 2) TAP END CAP INTO PLACE WITH RUBBER Mallet OR SOFT WOOD. FIG.2
- 3) DRILL 5/32" HOLES THROUGH THE BOTTOM FLANGE AND THE BOTTOM OUTSIDE PLANK FLANGES OF EACH PLANK. INSTALL 5/32" POP RIVETS.

### END CAP DETAIL

N.T.S.



### SECTION AA

3/4" = 1'-0"