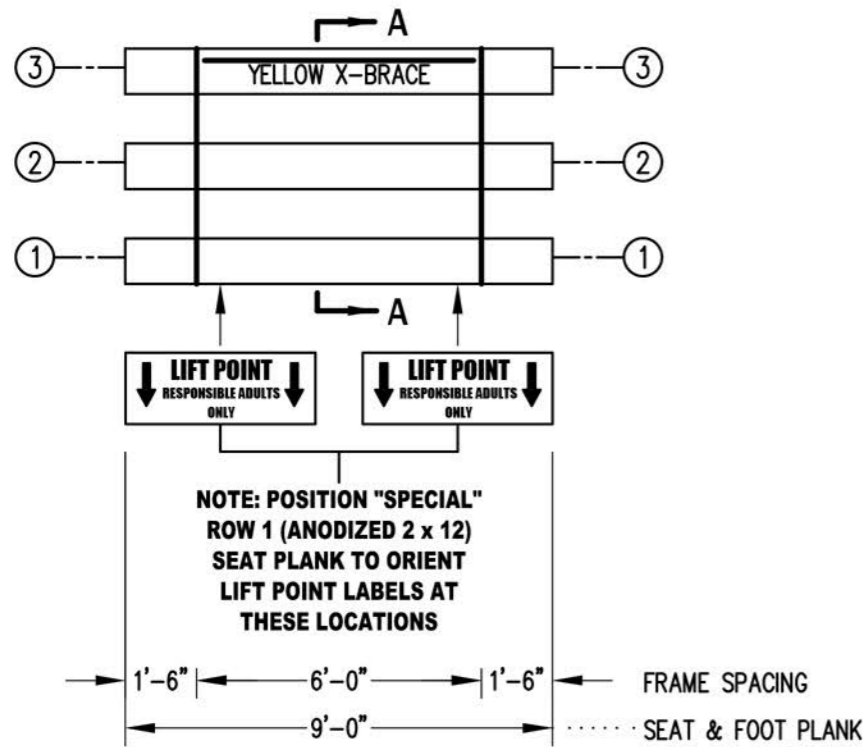
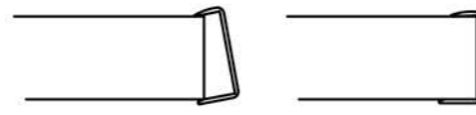


INSTRUCTION/ASSEMBLY DRAWING



SEAT & FRAMING PLAN

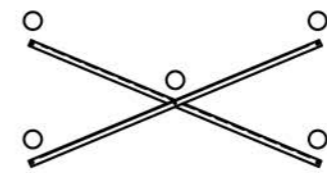
1/4" = 1'-0"
18 NET SEATS @ 18" PER SEAT



- 1) LOCATE THE CHANNEL END CAP AS SHOWN IN FIG. 1.
- 2) TAP END CAP INTO PLACE WITH RUBBER Mallet OR SOFT WOOD. FIG.2
- 3) DRILL 5/32" HOLES THROUGH THE BOTTOM FLANGE AND THE BOTTOM OUTSIDE PLANK FLANGES OF EACH PLANK. INSTALL 5/32" POP RIVETS.

END CAP DETAIL

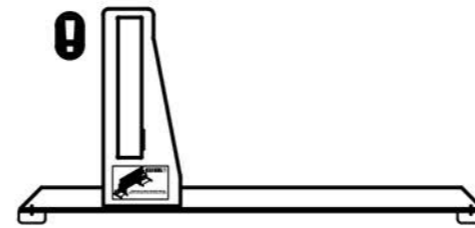
N.T.S.



X-BRACE DETAIL

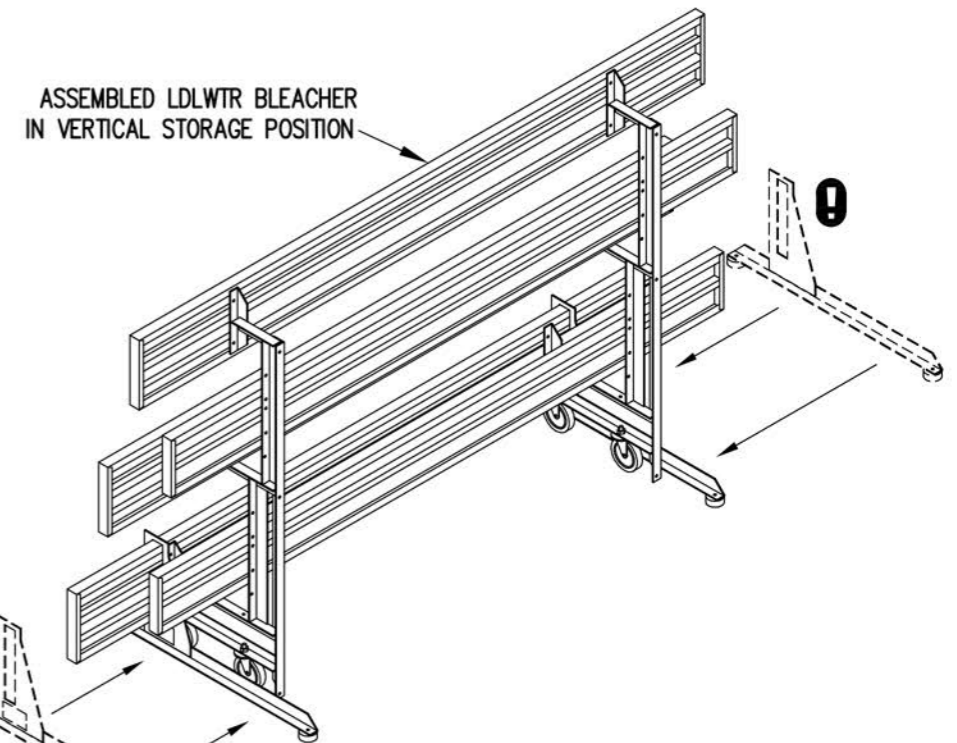
N.T.S.

○ 7/16" X 1" GALV. MACH. BOLT



MANDATORY STABILIZING FIXTURE

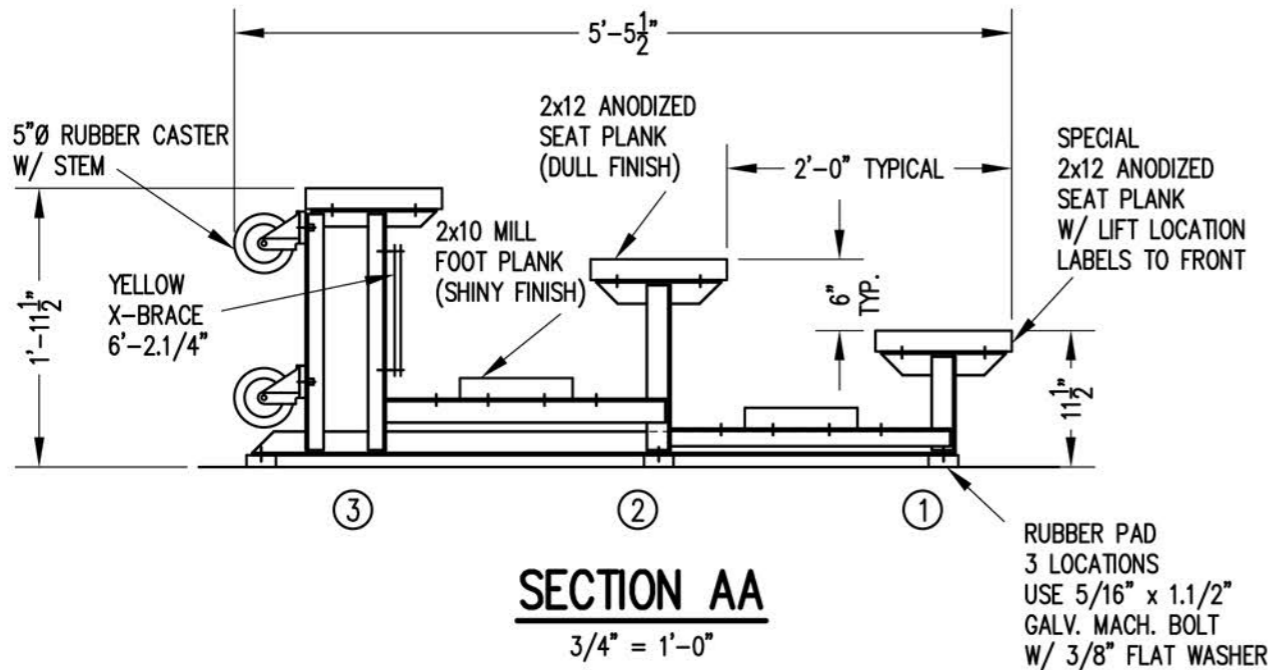
3/4" = 1'-0"



VERTICAL STORAGE OF BLEACHER WHEN REQUIRED

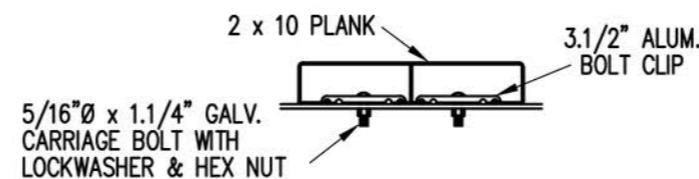
STABILIZING FIXTURE - ONE REQUIRED FOR EACH END OF BLEACHER

NOTE: OUTDOOR ALUMINUM INC. RECOMMENDS STORING TIP AND ROLL BLEACHERS IN THE "IN USE" POSITION WHEN POSSIBLE - WHERE VERTICAL STORAGE IS REQUIRED, ALL OUTLINED PROCEDURES AND SAFETY WARNINGS, SPECIFICALLY INCLUDING THE MANDATORY USE OF THE STABILIZING FIXTURES OUTLINED ABOVE, MUST BE STRICTLY FOLLOWED.



SECTION AA

3/4" = 1'-0"



BOLT CLIP DETAIL

1.1/2" = 1'-0"