



### Product Description:

- Infection Prevention Station Accessory - Hand Sanitizer Floor Stand
- Holds one box of face masks and one - two boxes of facial tissue
- Very high bond double-sided tape for mounting to back of (KS102-0029) Hand Sanitizer Floor Stand
- Bay Gray Powder-Coated Aluminum

### Primary Area for Product Usage:

- Anywhere personal protection equipment is needed

### Dispenses:

- Box(es) no larger than 7.75"W x 4"H x 4.75"D (19.7 cm x 10.2 cm x 12.1 cm)
- Box(es) no smaller than 5.50"W x 10.00"H x 4.75"D (14.0 cm x 25.4 cm x 12.1 cm)

### Package Specifications:

- Package Quantity: 1 per case
- 16"L x 12"W x 12"H (40.6 cm x 30.5 cm x 30.5 cm)
- 5.0 lbs (2.3 kg) - approximated

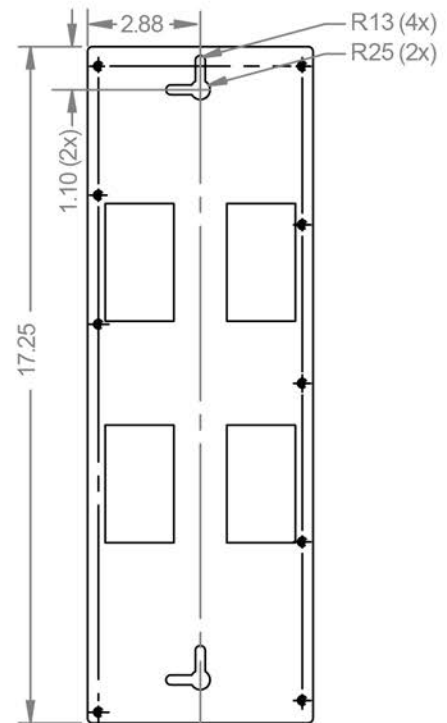
### Product Specifications (overall external dimensions):

- 7.21"W x 15.11"H x 4.29"D (18.3 cm x 38.4 cm x 10.9 cm)
- 2.0 lbs (0.9 kg) - approximated

### Mounting Specifications:

### Related Products (each sold separately):

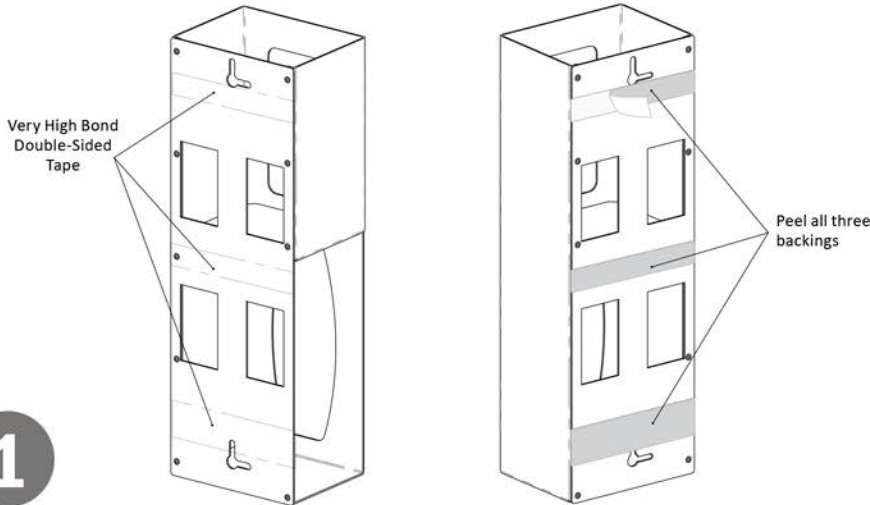
- KS101-0059: Hand Sanitizer Floor Stand
- KS102-0059: Hand Sanitizer Floor Stand with Drip Tray (shown below)



## Installation

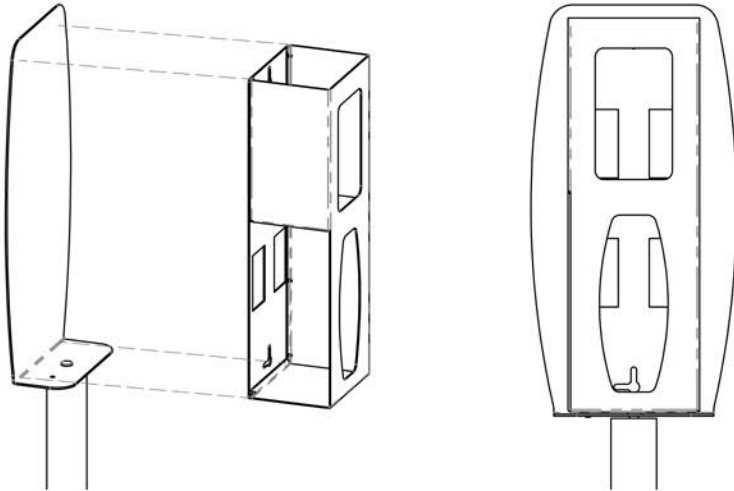
Always mount dispensers securely *prior* to loading with product.

- Face masks conveniently load through the top; tissues or gloves through the side.
- Both products dispense through the front.
- Peel tape from VHB (Very High Bond) tape.



1

- VHB tape is virtually permanent, so it is important to align well with the back plate.
- Line up the back and bottom of the dispenser with the L-shape of the back plate (KS101-0059 or KS201-0059 sold separately)



2

### Parts included:

- Dispenser

### Tools Required:

- No tools required to assemble dispenser

## Care and Construction

### Powder-Coated Aluminum

### Material Characteristics

### Designed for Long-Term, Heavy-Duty Applications

Our powder-coated aluminum dispensers resist corrosion, chips and flaking. This material will provide long-lasting products that hold up well in tough environments.

Powder-coated aluminum is ideal for dispensers used in a healthcare or an industrial setting. It is impact resistant and is not effected by extremes in temperature.

### Care and Cleaning

The matte powder-coated finish resists mild chemicals and cleaning agents, such as Windex or glass cleaners. It should be cleaned with a damp cloth or mild soap and water. Scotch-Brite, steel wool or any abrasive products should not be used.