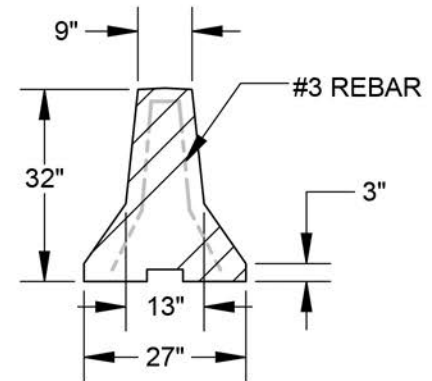
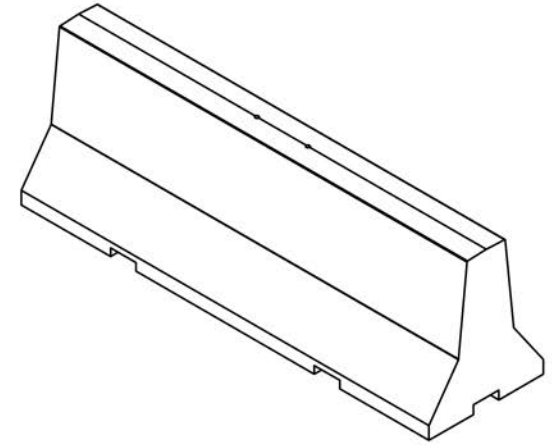
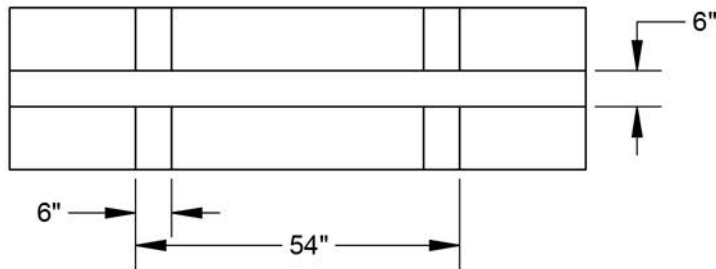
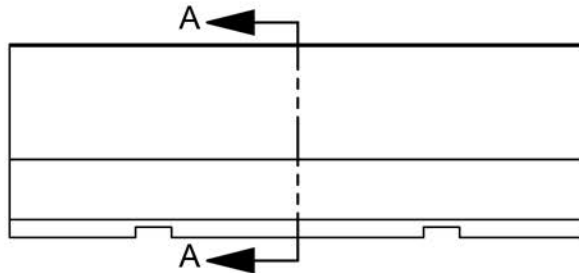


PART# : 500-1009
MODEL: JBSE96
WEIGHT: 3575 LBS
MATERIAL: CONCRETE



SECTION A-A