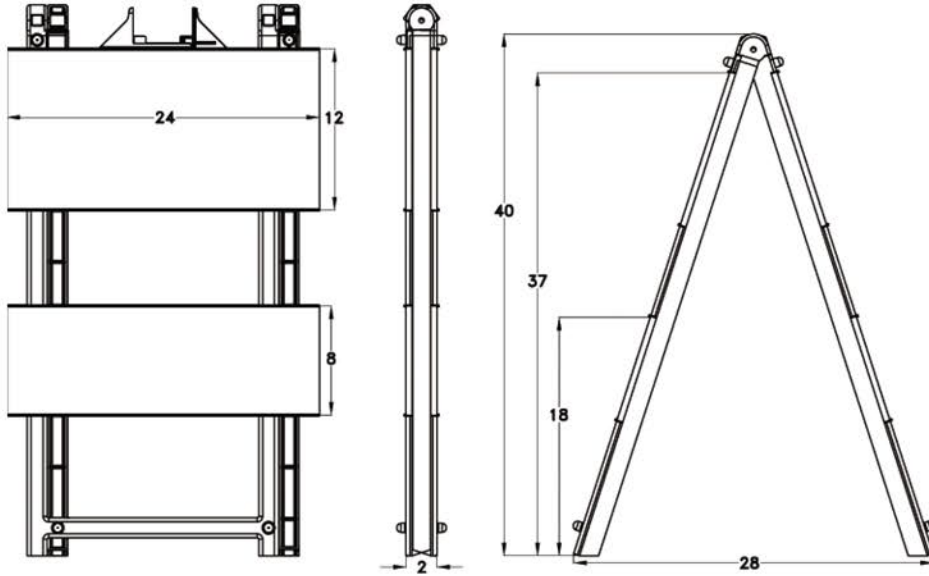


# ECONOCADE<sup>®</sup>

## TYPE I & TYPE II BARRICADE



### Specs

Composition	High Density Polyethylene
Dimensions	42.6"H x 24.4"W
Color	White
Weight	13.2 lbs.
Reflective Sheeting	Available in all grades in white and orange



MADE IN THE USA