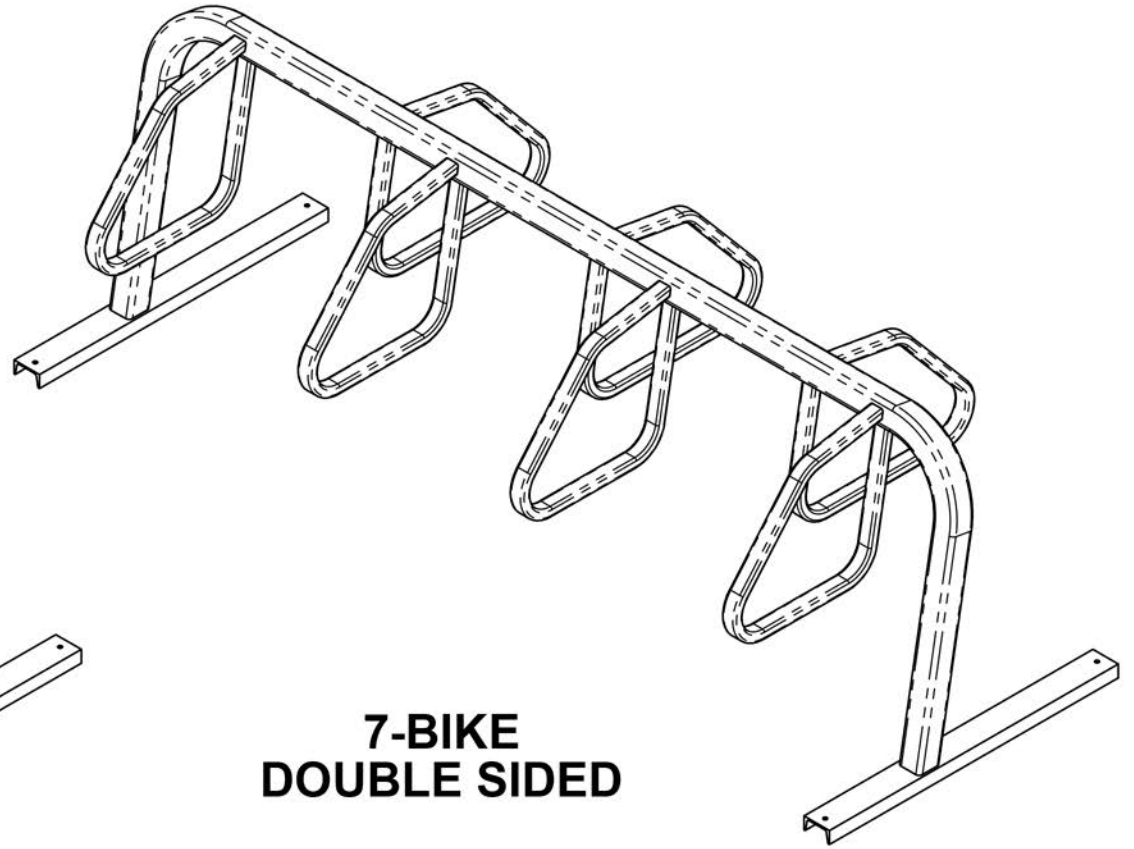


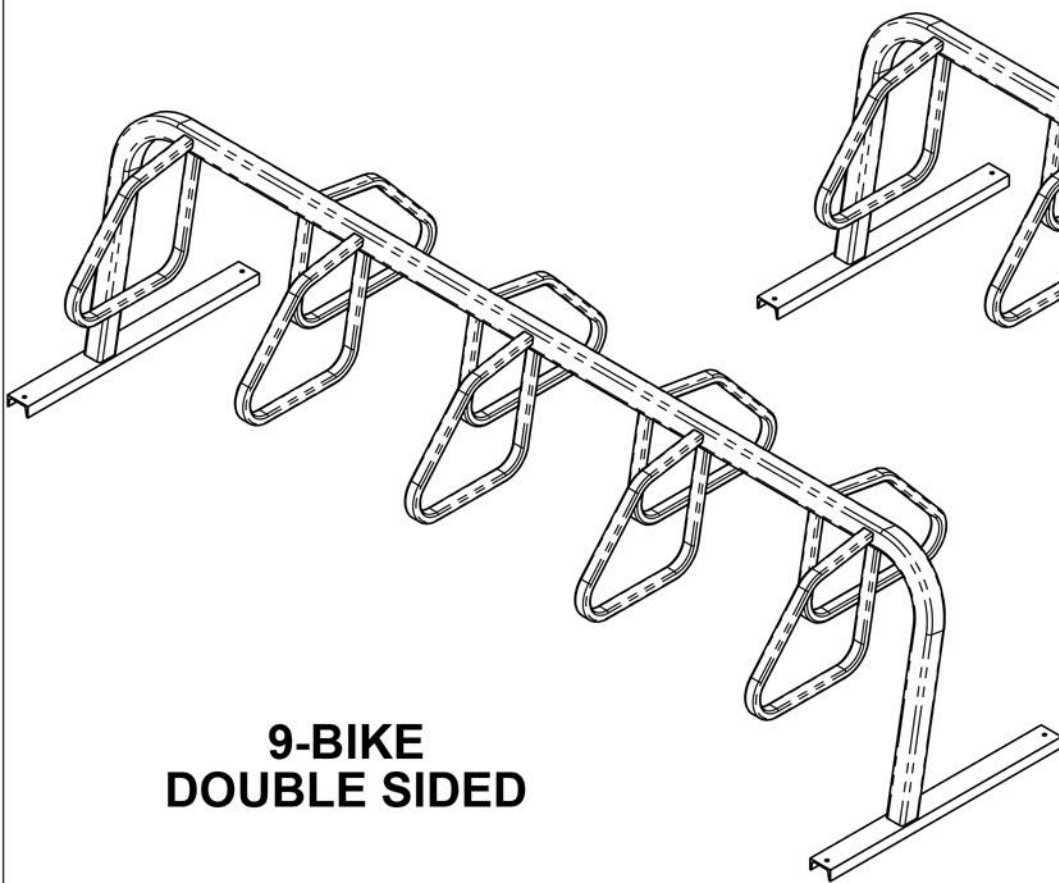
**5-BIKE  
DOUBLE SIDED**



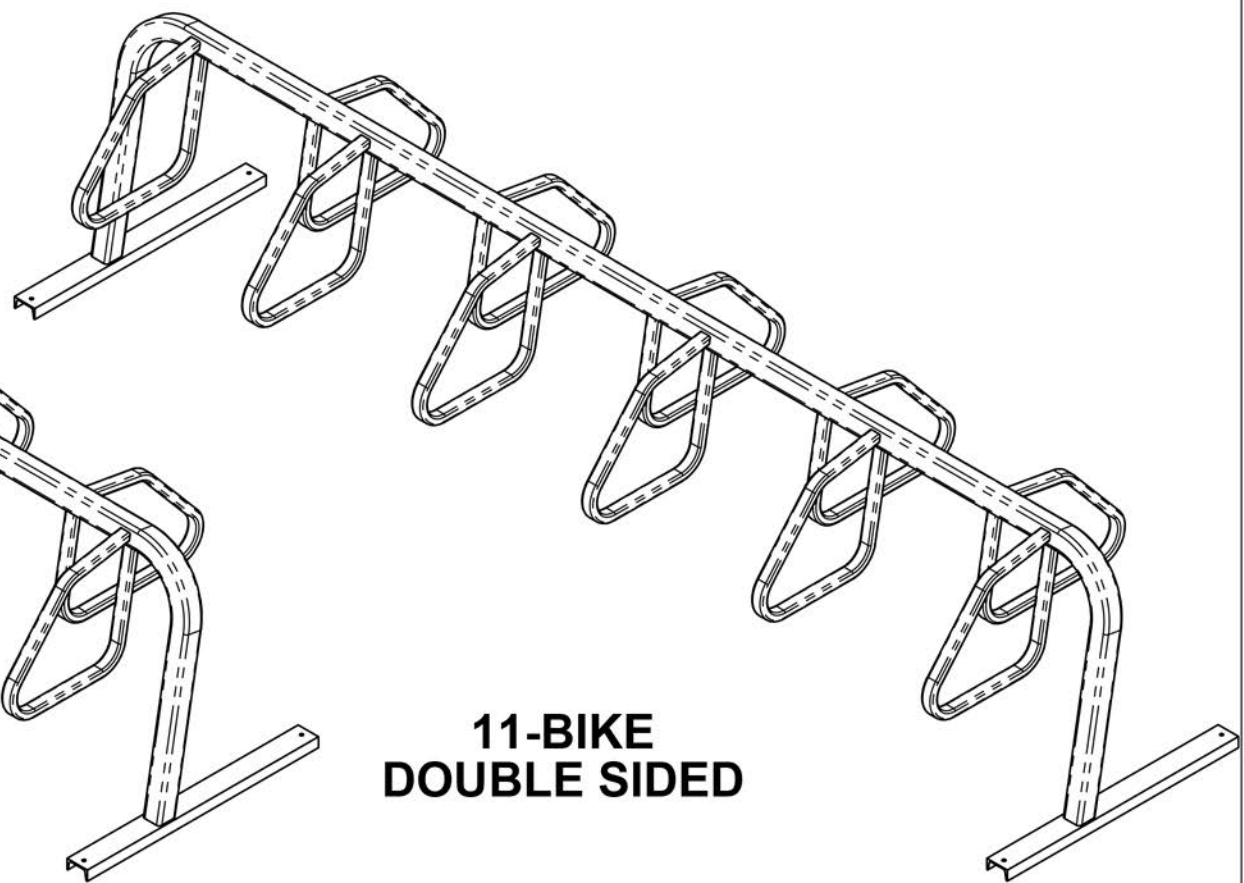
**7-BIKE  
DOUBLE SIDED**

NOTES:

1. DO NOT SCALE DRAWING.
2. INSTALLATION TO BE COMPLETED IN ACCORDANCE WITH MANUFACTURER'S SPECIFICATIONS.
3. FINISHING OPTIONS INCLUDE SUPER DURABLE POLYESTER POWDERCOAT AND HOT DIP GALVANIZING.
4. SEE WEBSITE OR CATALOG FOR POLYESTER POWDERCOAT COLOR OPTIONS.



**9-BIKE  
DOUBLE SIDED**



**11-BIKE  
DOUBLE SIDED**

TABULATION

BLACK P/N	COLOR P/N	GALVANIZED P/N	# OF BIKES	L1	WEIGHT (LBS)
2433	2433C	2433G	5	71.0	118.2
2436	2436C	2436G	7	96.0	145.4
2439	2439C	2439G	9	121.0	172.7
2442	2442C	2442G	11	146.0	199.9

