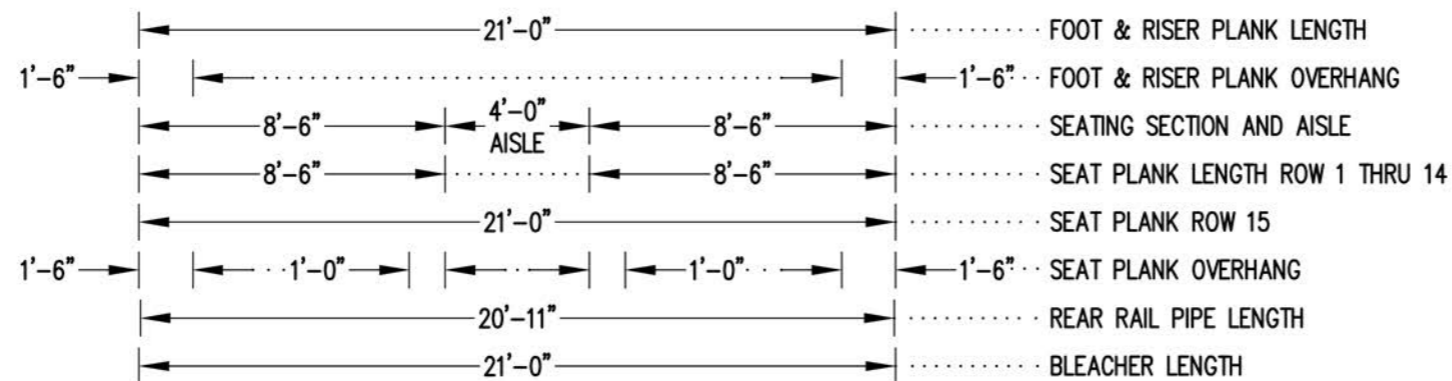
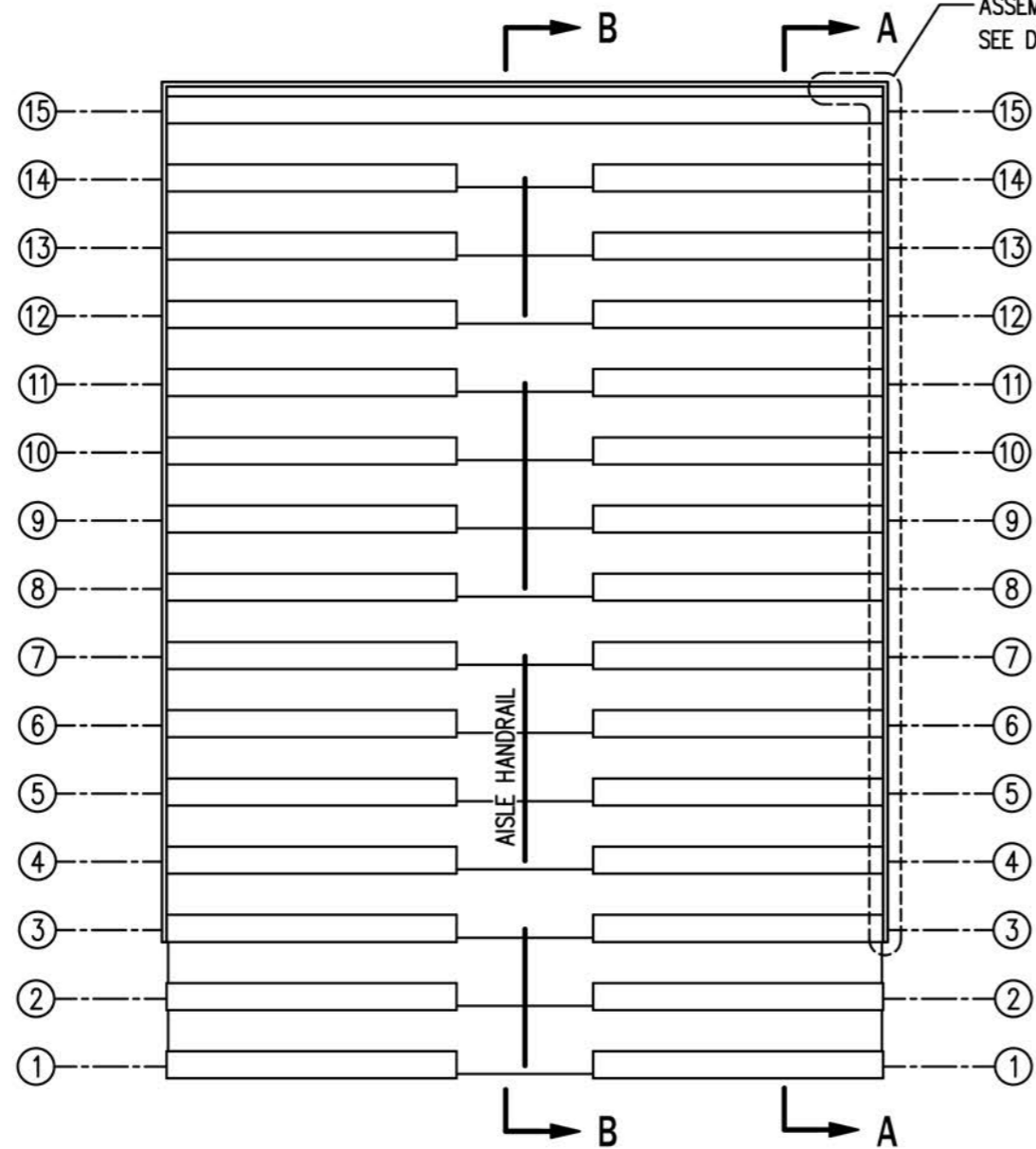


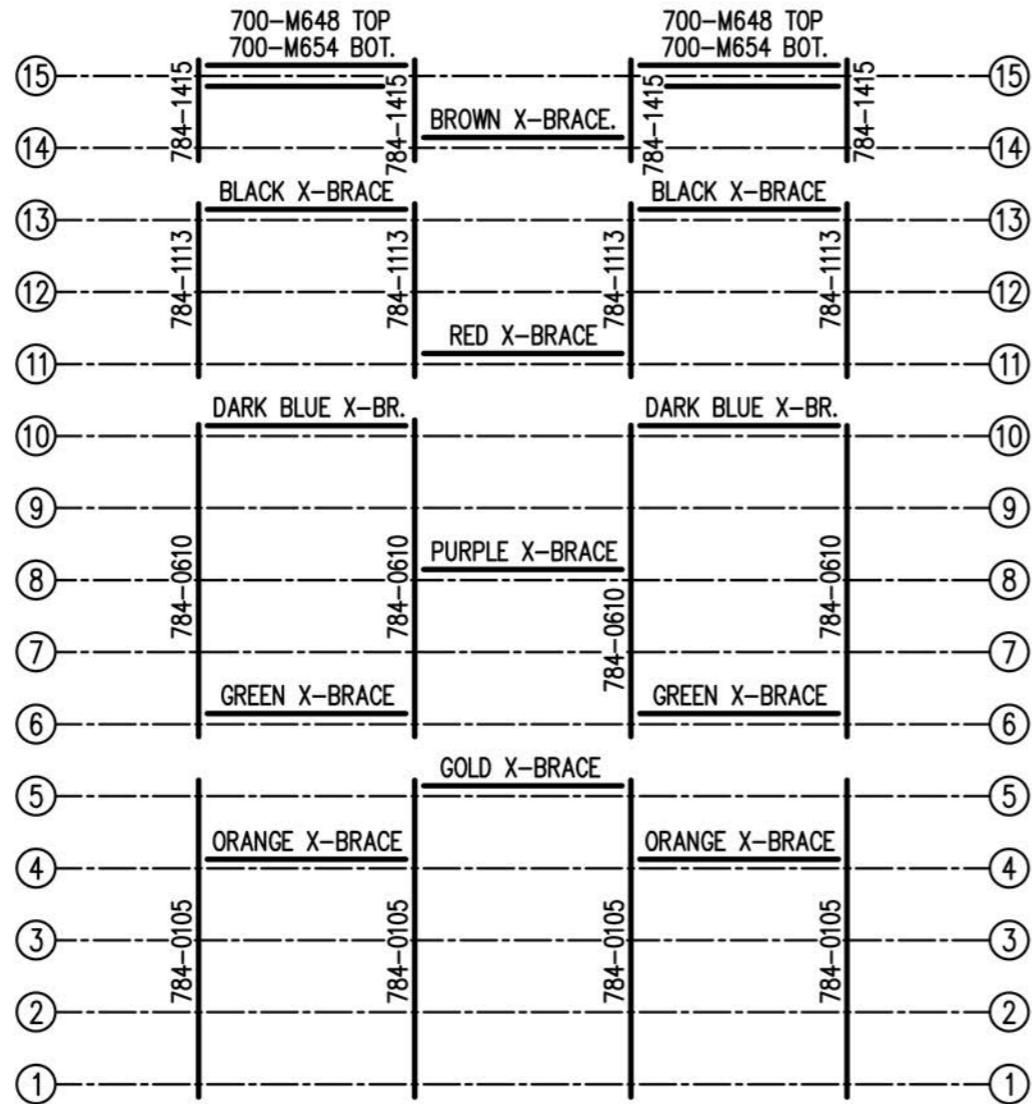
SEE REAR CORNER TIE
ASSEMBLY DETAIL
SEE DWG. 784-E1990



SEATING PLAN

3/16" = 1'-0"

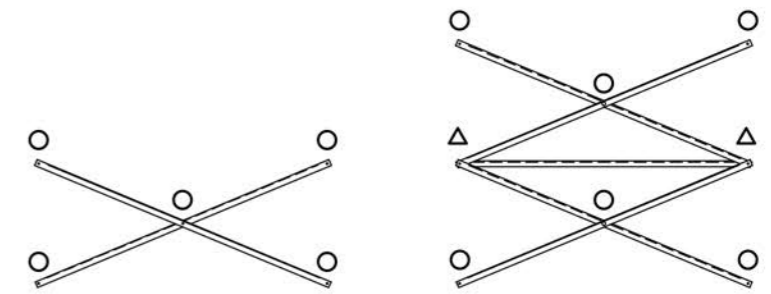
154 NET SEATS @ 18" PER SEAT



1'-6" 6'-0" 6'-0" 6'-0" 1'-6" ... FRAME SPACING

FRAMING PLAN

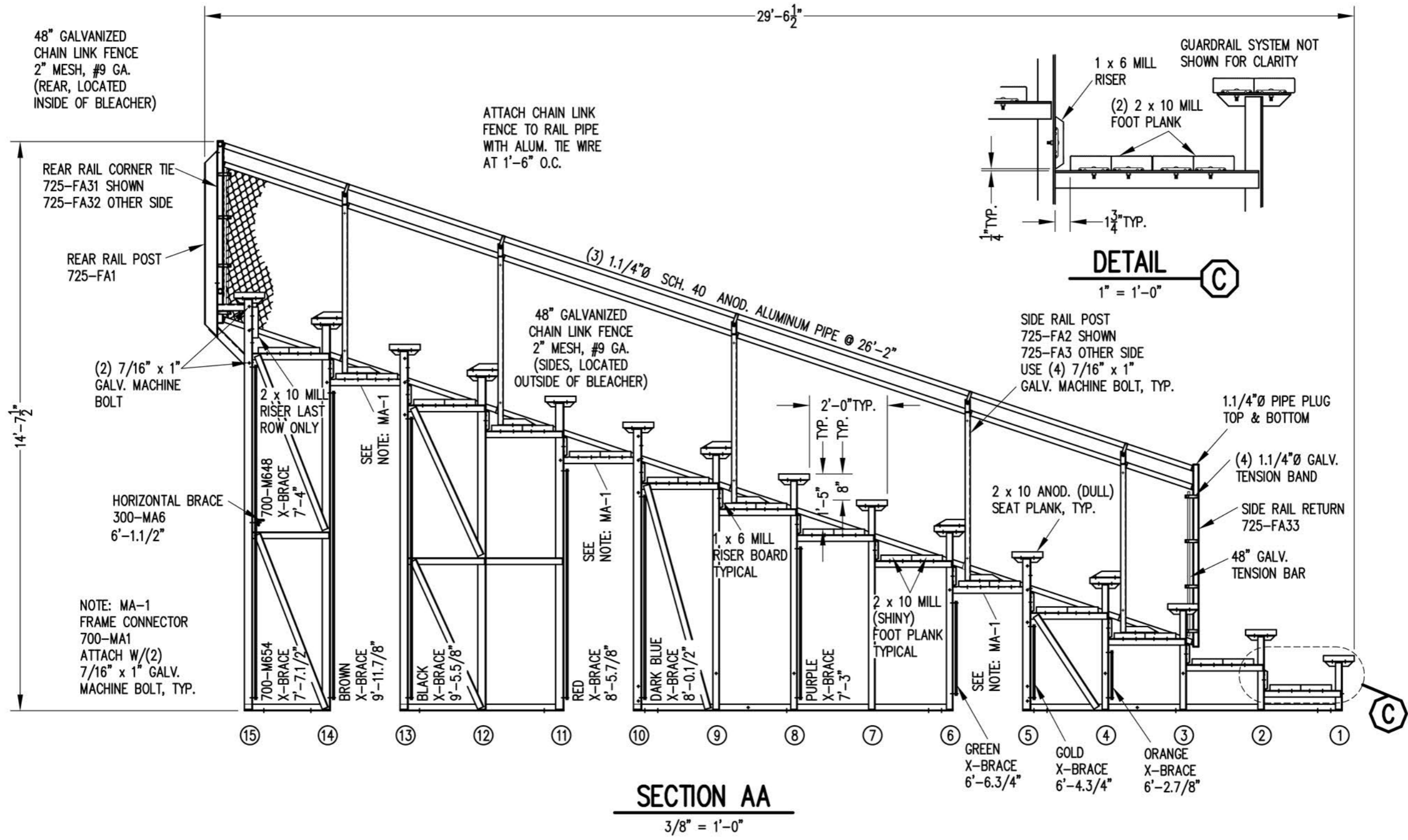
3/16" = 1'-0"

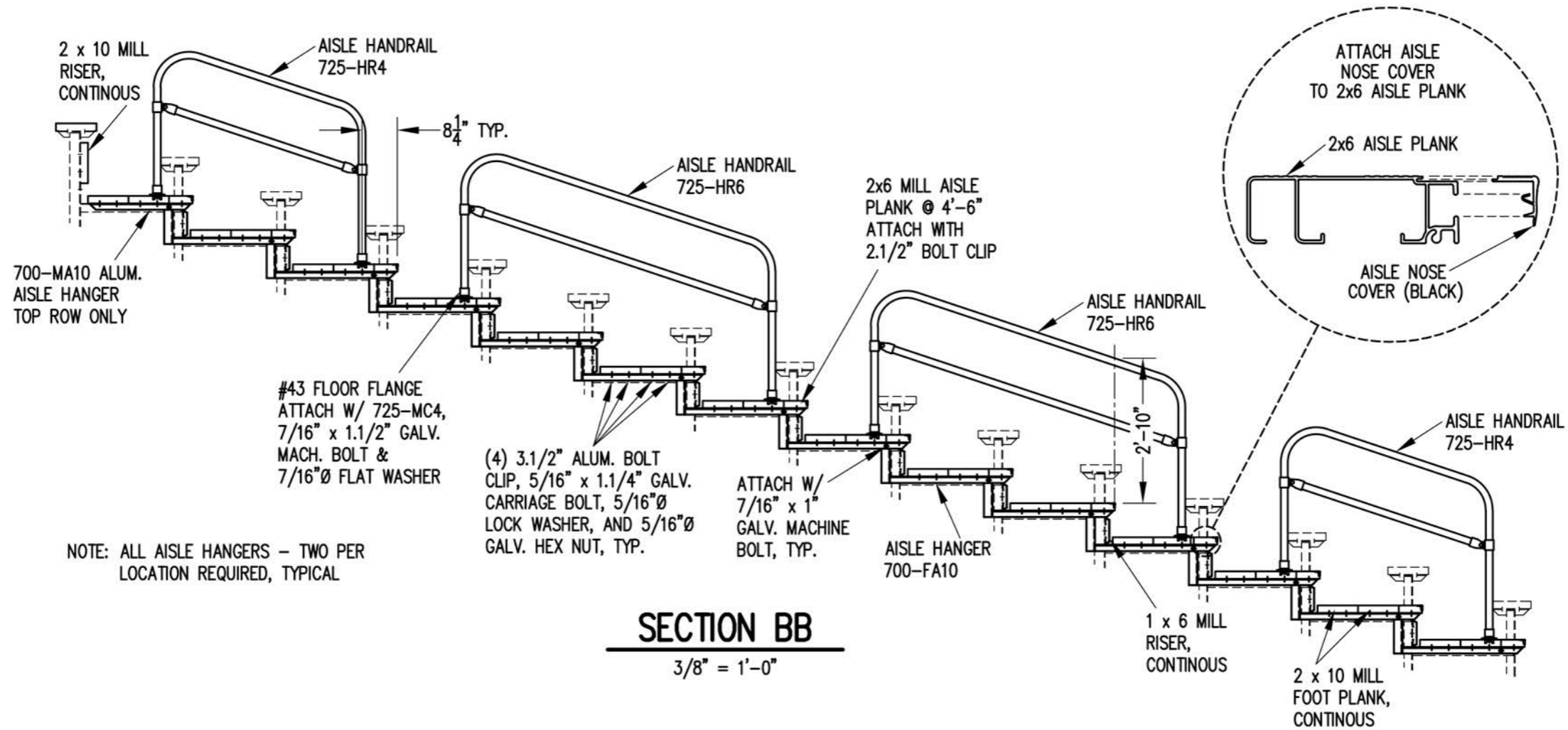


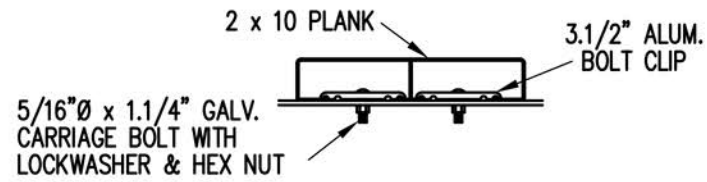
X-BRACE DETAIL

N.T.S.

- 7/16" X 1" GALV. MACH. BOLT
- △ 7/16" X 1.1/2" GALV. MACH. BOLT







BOLT CLIP DETAIL

1.1/2" = 1'-0"

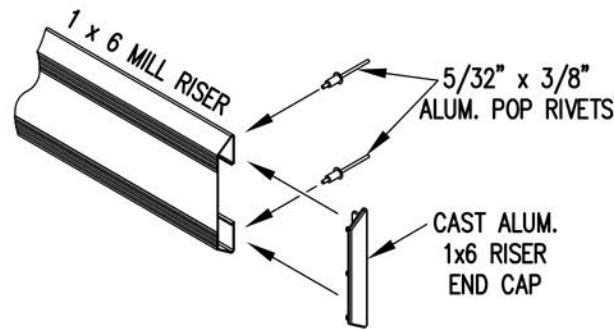


FIG.1 FIG.2

- 1) LOCATE THE CHANNEL END CAP AS SHOWN IN FIG. 1.
- 2) TAP END CAP INTO PLACE WITH RUBBER Mallet OR SOFT WOOD. FIG.2
- 3) DRILL 5/32" HOLES THROUGH THE BOTTOM FLANGE AND THE BOTTOM OUTSIDE PLANK FLANGES OF EACH PLANK. INSTALL 5/32" POP RIVETS.

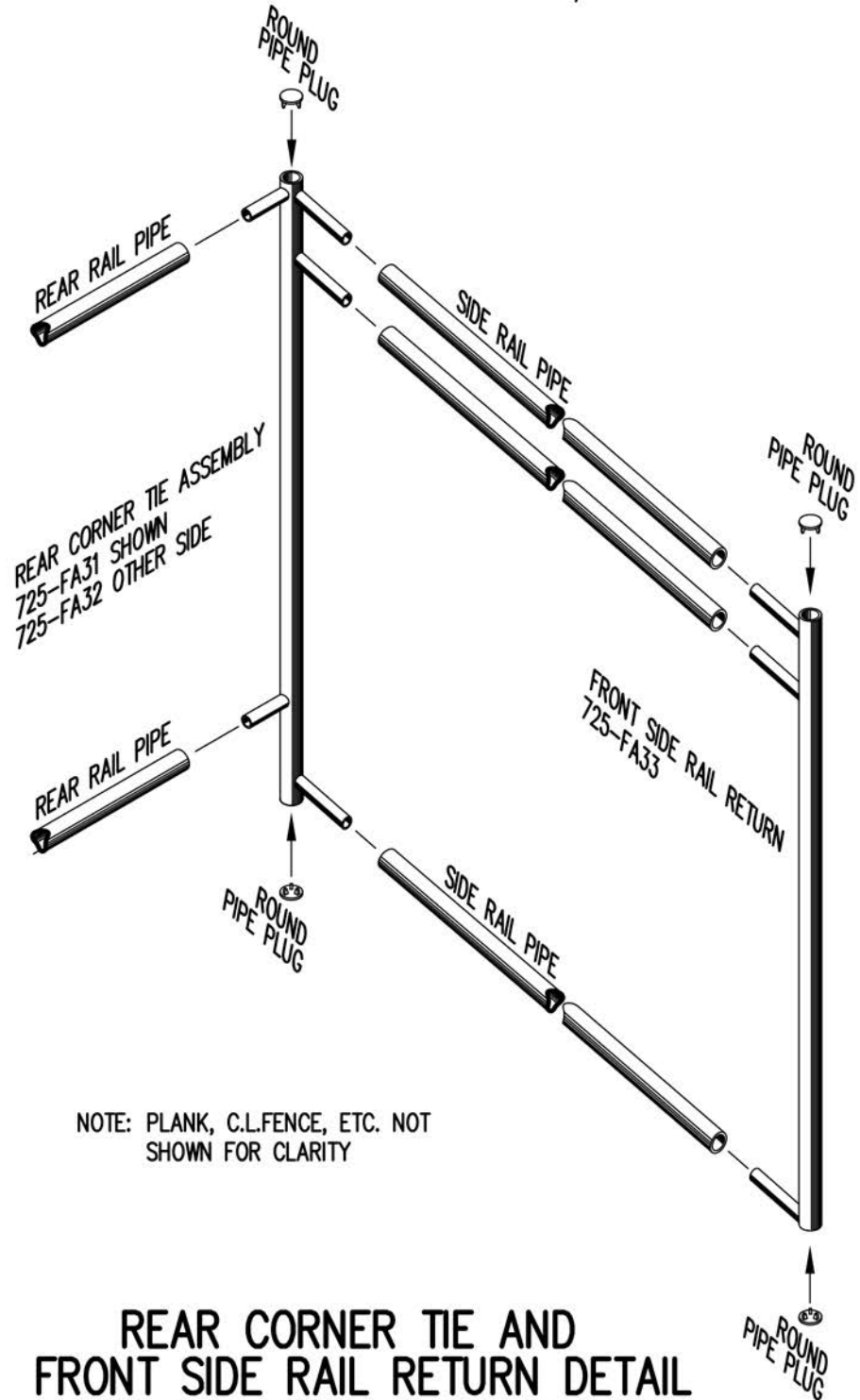
END CAP DETAIL

N.T.S.



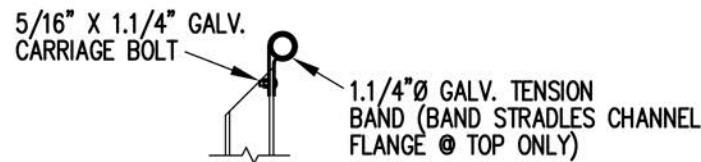
1 x 6 RISER END CAP

N.T.S.



REAR CORNER TIE AND FRONT SIDE RAIL RETURN DETAIL

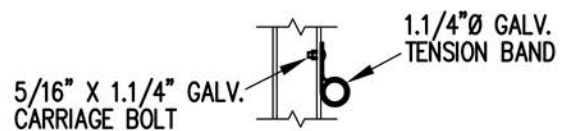
3/4" = 1'-0"



TOP RAIL

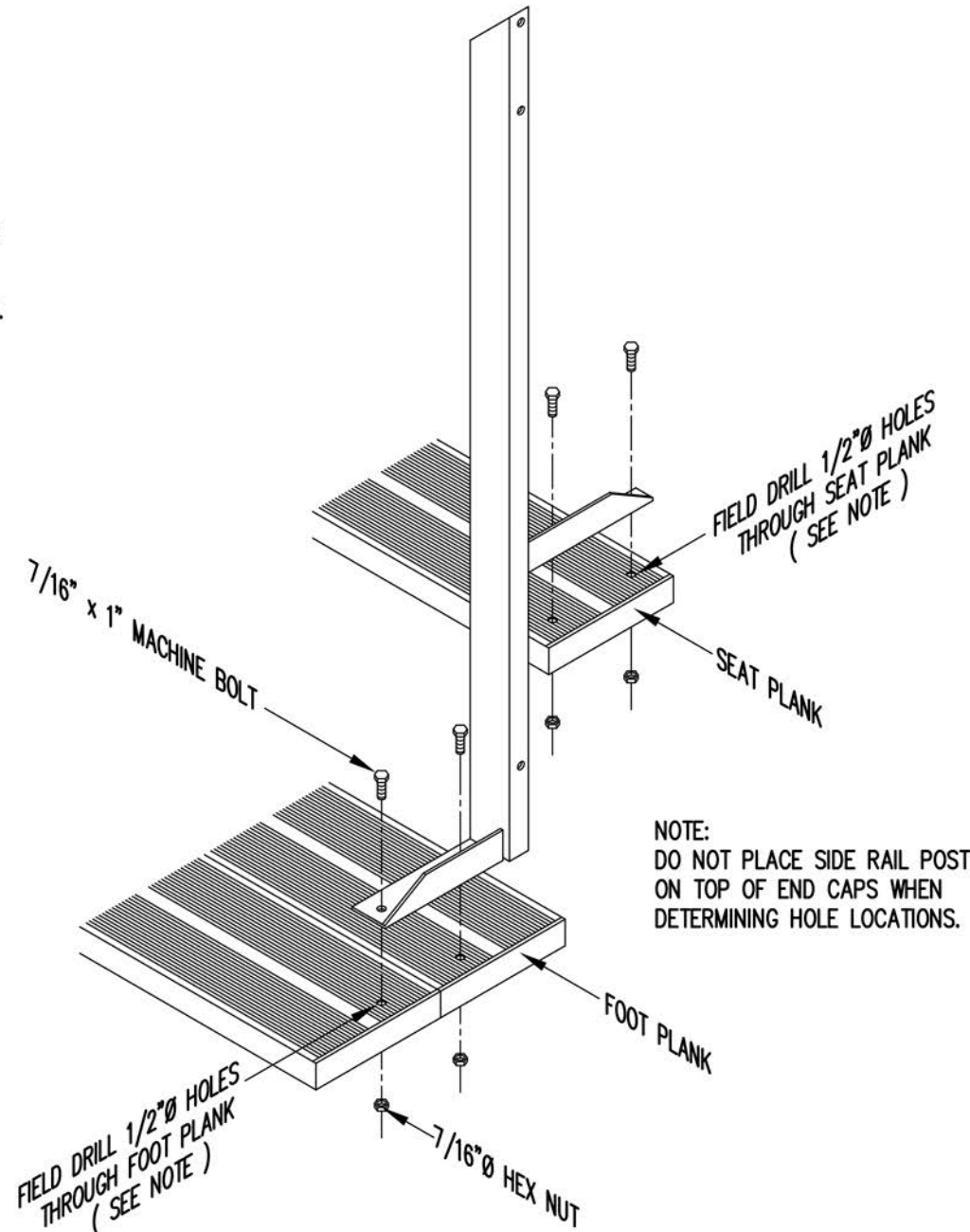


2ND RAIL



BOTTOM RAIL

RAIL PIPE ATTACHMENT



TYP. SIDE RAIL POST ATTACHMENT

1" = 1'-0"