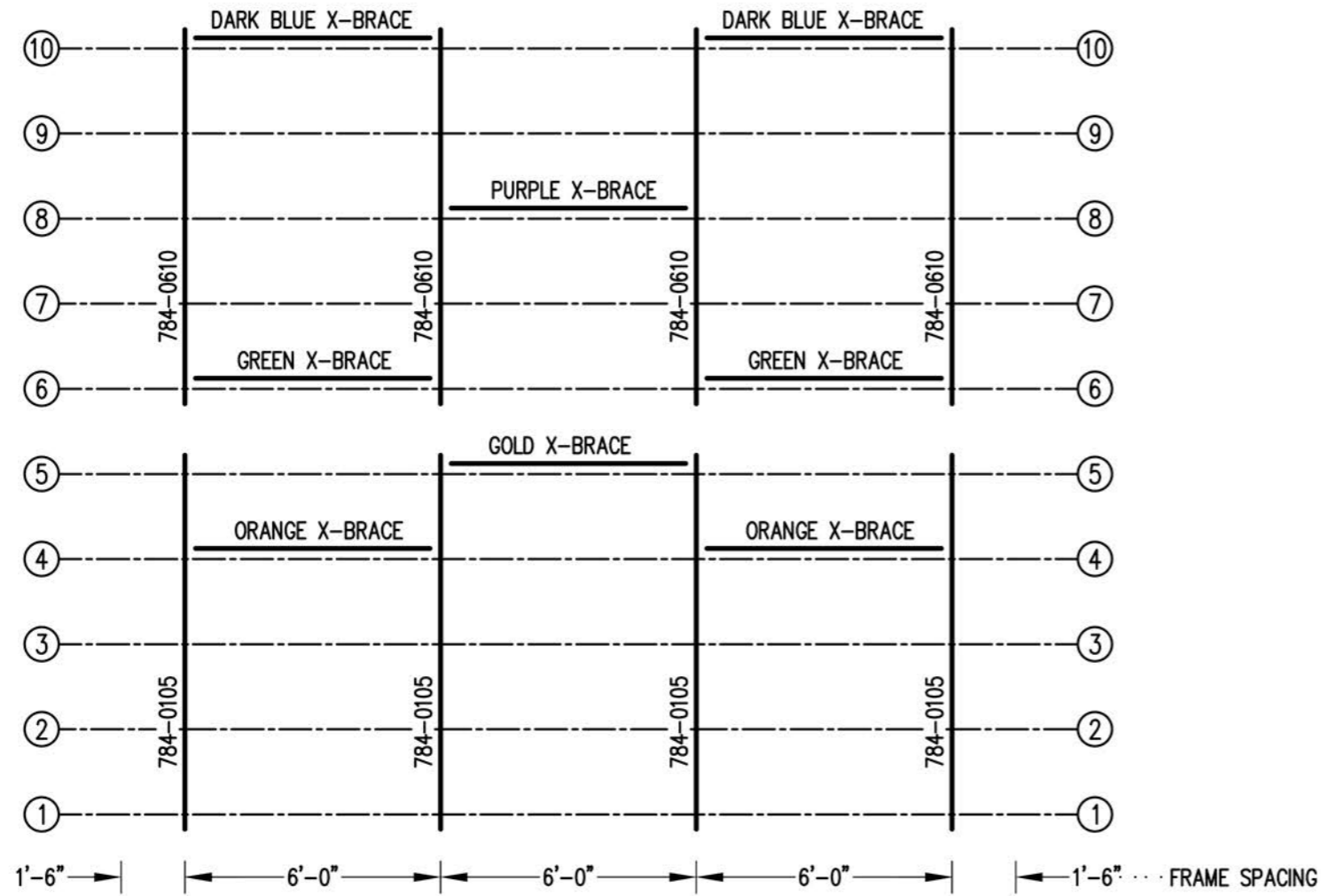


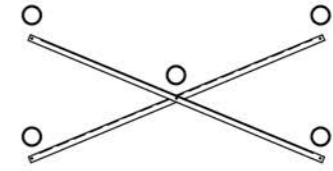
SEATING PLAN

1/4" = 1'-0"

104 NET SEATS @ 18" PER SEAT



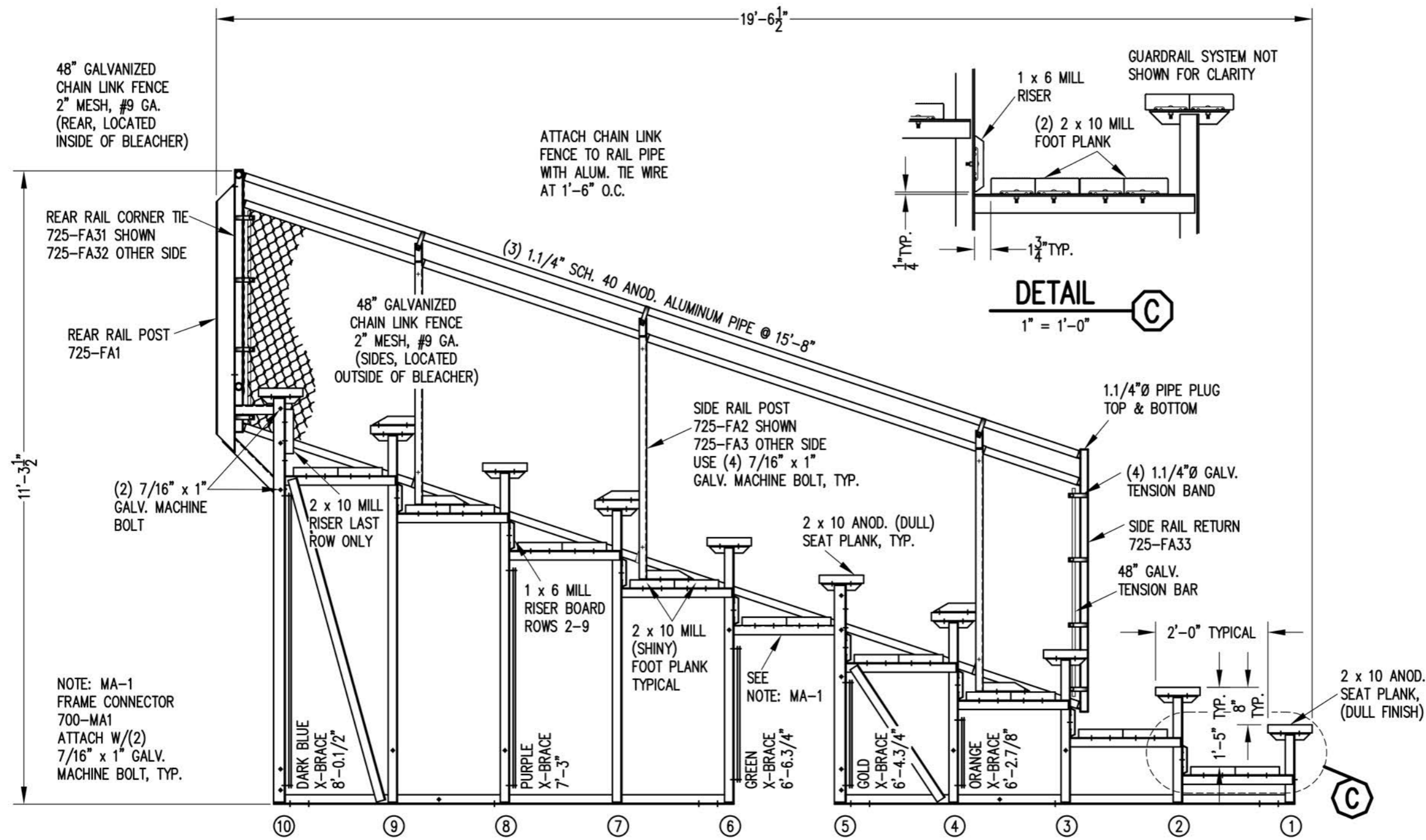
FRAMING PLAN
 1/4" = 1'-0"



X-BRACE DETAIL

N.T.S.

- 7/16" X 1" GALV. MACH. BOLT
- △ 7/16" X 1.1/2" GALV. MACH. BOLT



48" GALVANIZED CHAIN LINK FENCE 2" MESH, #9 GA. (REAR, LOCATED INSIDE OF BLEACHER)

REAR RAIL CORNER TIE 725-FA31 SHOWN 725-FA32 OTHER SIDE

REAR RAIL POST 725-FA1

(2) 7/16" x 1" GALV. MACHINE BOLT

48" GALVANIZED CHAIN LINK FENCE 2" MESH, #9 GA. (SIDES, LOCATED OUTSIDE OF BLEACHER)

ATTACH CHAIN LINK FENCE TO RAIL PIPE WITH ALUM. TIE WIRE AT 1'-6" O.C.

(3) 1.1/4" SCH. 40 ANOD. ALUMINUM PIPE @ 15'-8"

SIDE RAIL POST 725-FA2 SHOWN 725-FA3 OTHER SIDE USE (4) 7/16" x 1" GALV. MACHINE BOLT, TYP.

2 x 10 ANOD. (DULL) SEAT PLANK, TYP.

1.1/4"Ø PIPE PLUG TOP & BOTTOM

(4) 1.1/4"Ø GALV. TENSION BAND

SIDE RAIL RETURN 725-FA33

48" GALV. TENSION BAR

2'-0" TYPICAL

2 x 10 ANOD. SEAT PLANK, (DULL FINISH)

NOTE: MA-1 FRAME CONNECTOR 700-MA1 ATTACH W/(2) 7/16" x 1" GALV. MACHINE BOLT, TYP.

DARK BLUE X-BRACE 8'-0.1/2"

PURPLE X-BRACE 7'-3"

GREEN X-BRACE 6'-6.3/4"

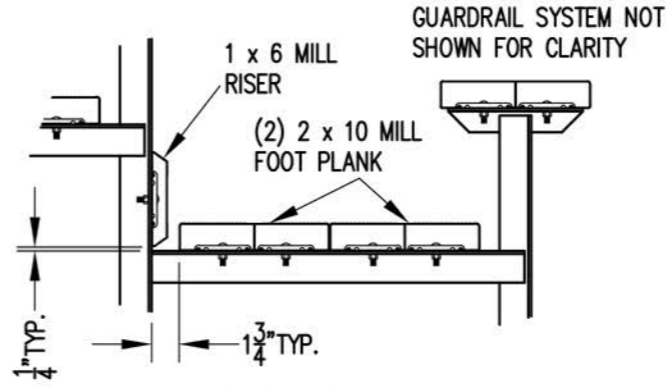
GOLD X-BRACE 6'-4.3/4"

ORANGE X-BRACE 6'-2.7/8"

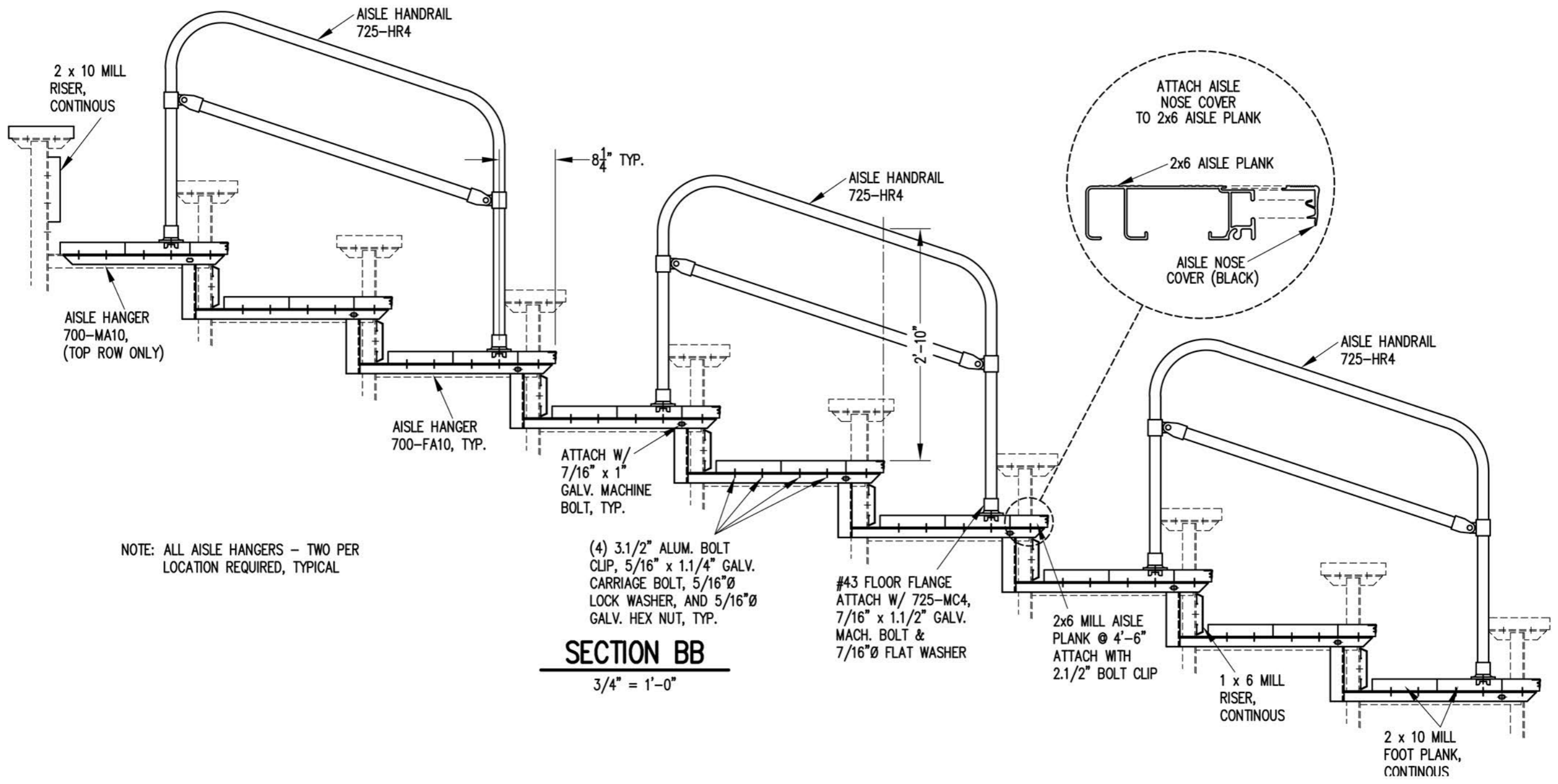
10 9 8 7 6 5 4 3 2 1

SECTION AA

1/2" = 1'-0"



DETAIL C
1" = 1'-0"



NOTE: ALL AISLE HANGERS - TWO PER LOCATION REQUIRED, TYPICAL

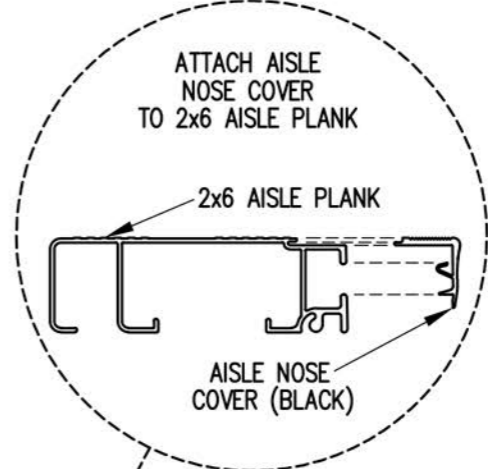
SECTION BB
3/4" = 1'-0"

(4) 3.1/2" ALUM. BOLT CLIP, 5/16" x 1.1/4" GALV. CARRIAGE BOLT, 5/16" LOCK WASHER, AND 5/16" GALV. HEX NUT, TYP.

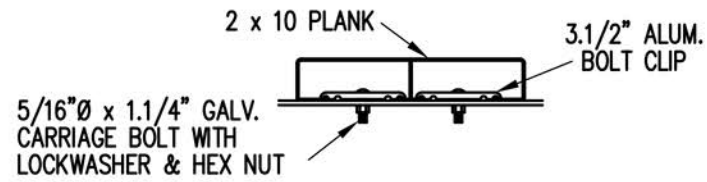
ATTACH W/ 7/16" x 1" GALV. MACHINE BOLT, TYP.

#43 FLOOR FLANGE ATTACH W/ 725-MC4, 7/16" x 1.1/2" GALV. MACH. BOLT & 7/16" FLAT WASHER

2x6 MILL AISLE PLANK @ 4'-6" ATTACH WITH 2.1/2" BOLT CLIP



2 x 10 MILL FOOT PLANK, CONTINUOUS



BOLT CLIP DETAIL

1.1/2" = 1'-0"

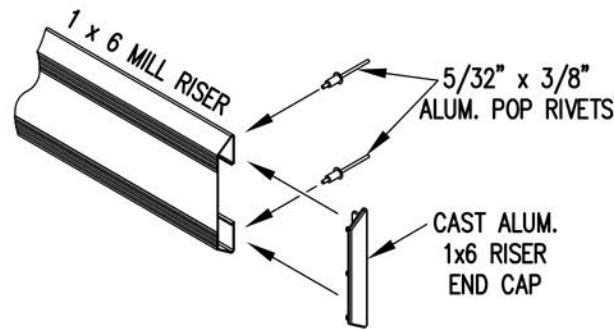


FIG.1 FIG.2

- 1) LOCATE THE CHANNEL END CAP AS SHOWN IN FIG. 1.
- 2) TAP END CAP INTO PLACE WITH RUBBER Mallet OR SOFT WOOD. FIG.2
- 3) DRILL 5/32" HOLES THROUGH THE BOTTOM FLANGE AND THE BOTTOM OUTSIDE PLANK FLANGES OF EACH PLANK. INSTALL 5/32" POP RIVETS.

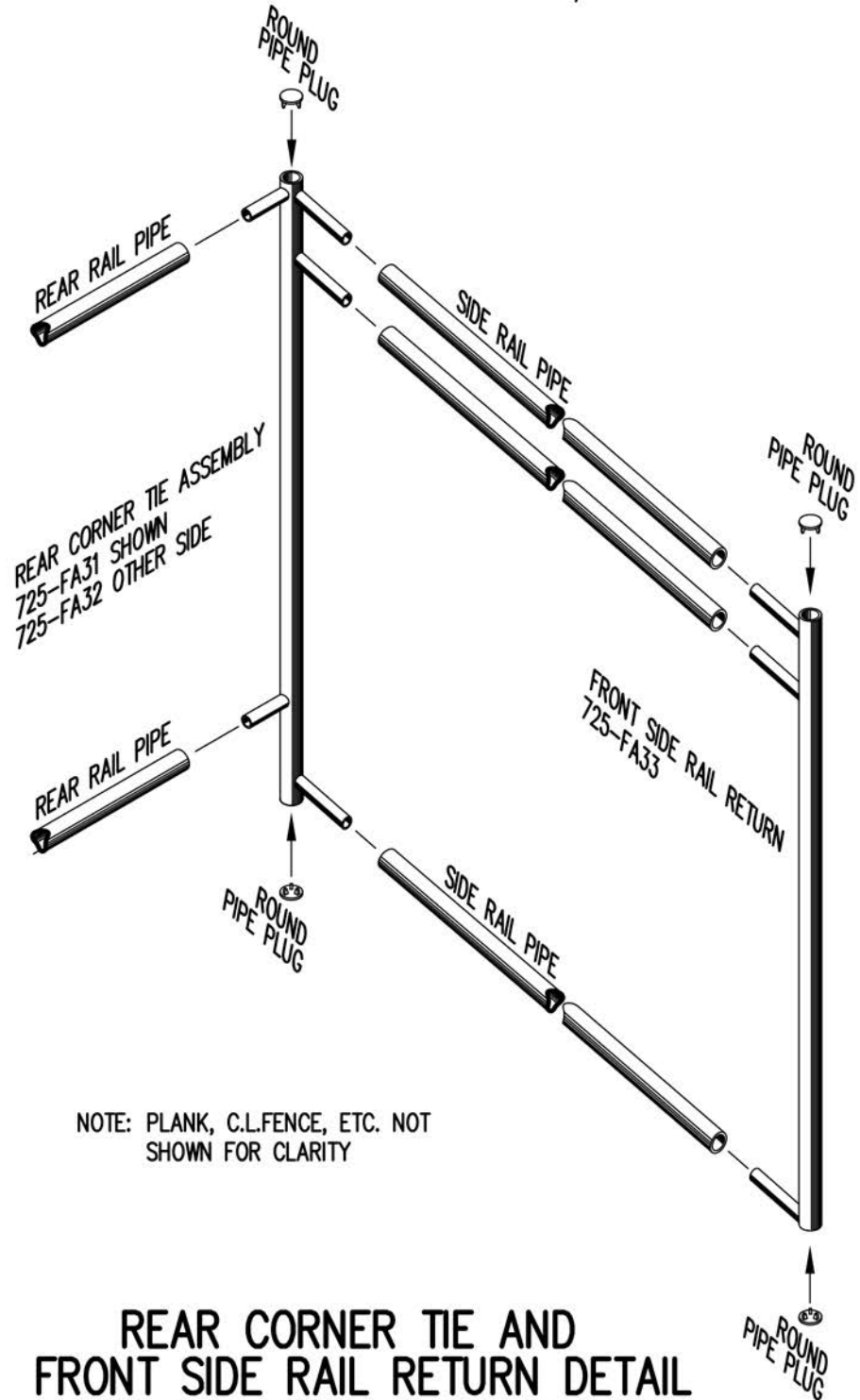
END CAP DETAIL

N.T.S.



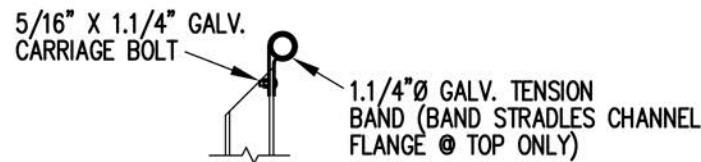
1 x 6 RISER END CAP

N.T.S.



REAR CORNER TIE AND FRONT SIDE RAIL RETURN DETAIL

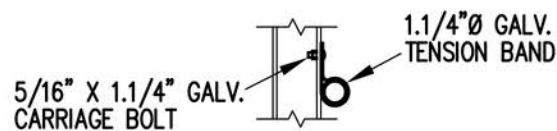
3/4" = 1'-0"



TOP RAIL

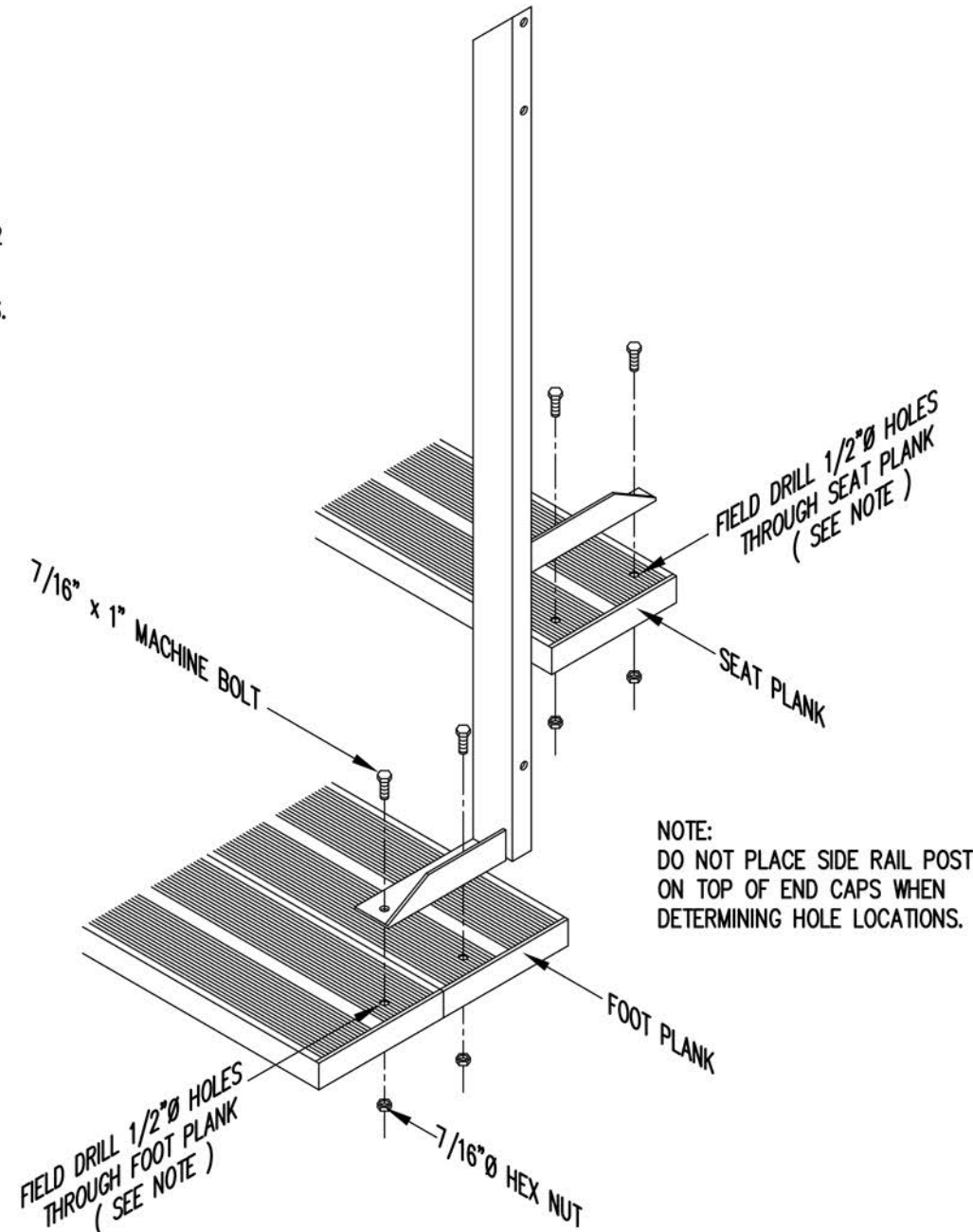


2ND RAIL



BOTTOM RAIL

RAIL PIPE ATTACHMENT



TYP. SIDE RAIL POST ATTACHMENT

1" = 1'-0"

NOTE: DO NOT PLACE SIDE RAIL POST ON TOP OF END CAPS WHEN DETERMINING HOLE LOCATIONS.