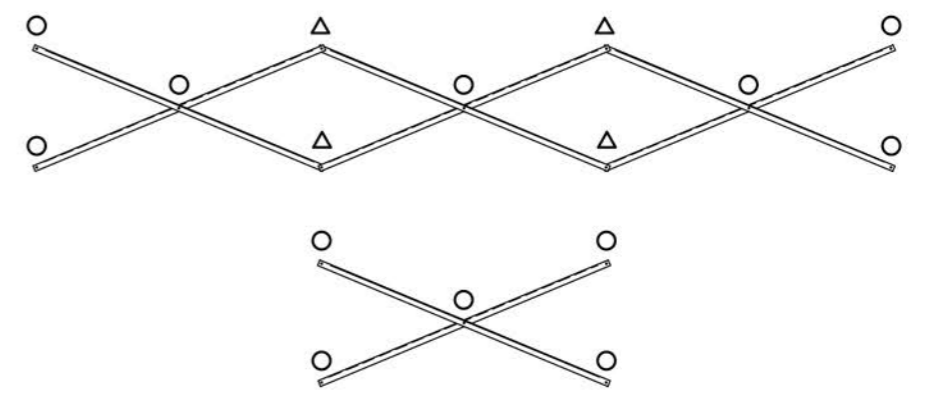


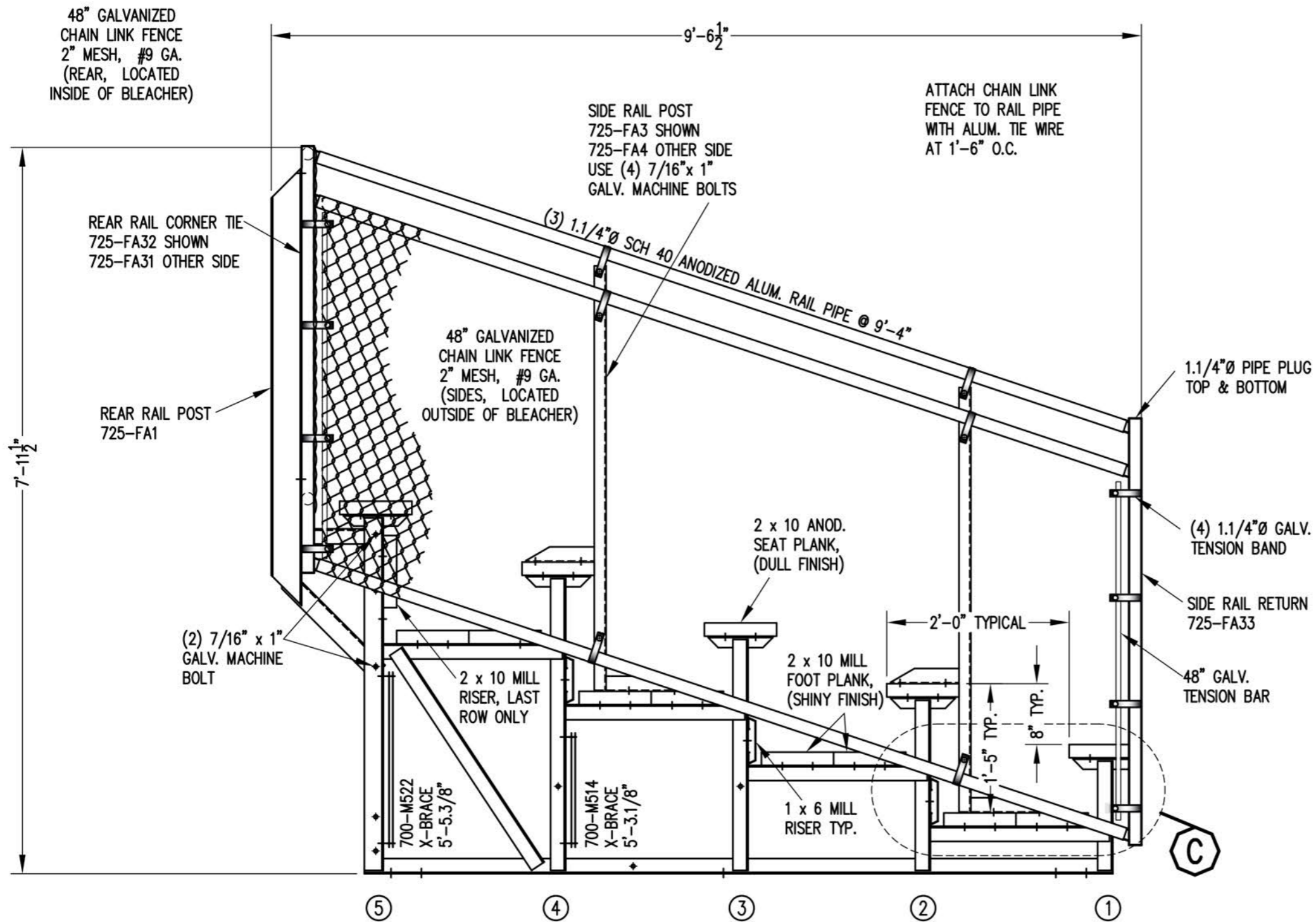
### SEATING & FRAMING PLAN

1/4" = 1'-0"  
42 NET SEATS @ 18" PER SEAT

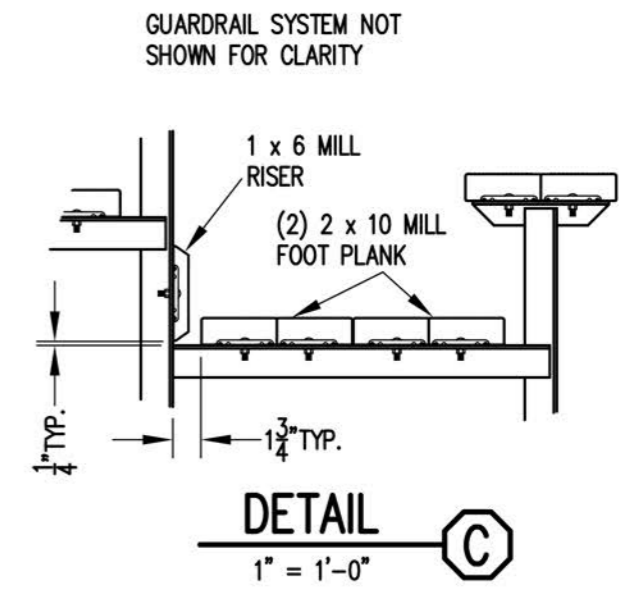


### X-BRACE DETAIL

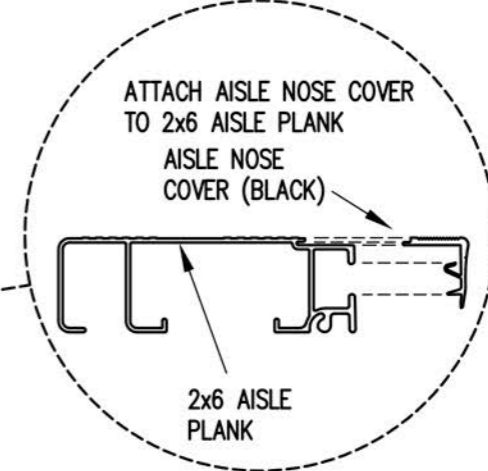
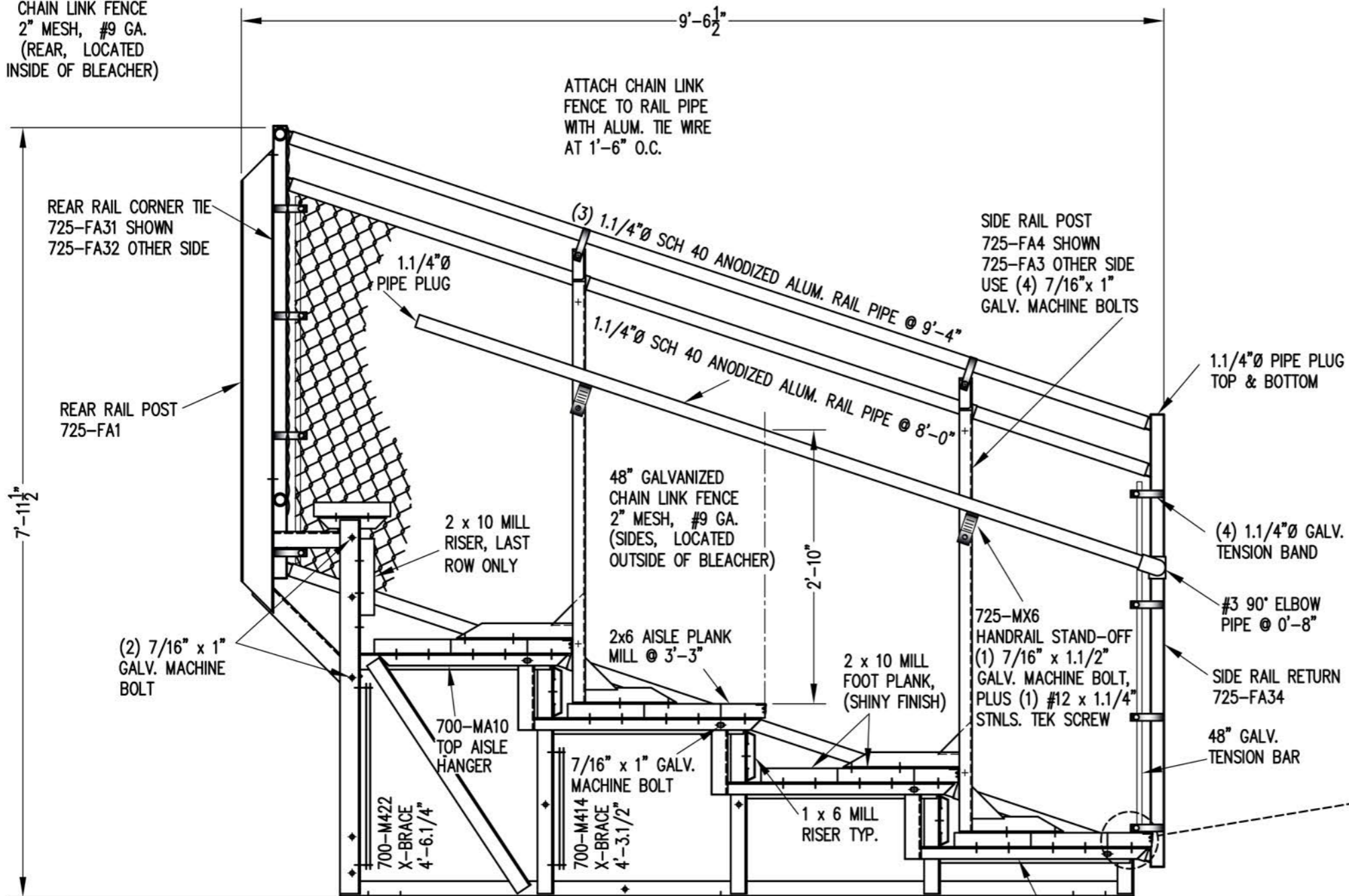
- N.T.S.
- 7/16" X 1" GALV. MACH. BOLT
  - △ 7/16" X 1.1/2" GALV. MACH. BOLT



**VIEW AA**  
3/4" = 1'-0"

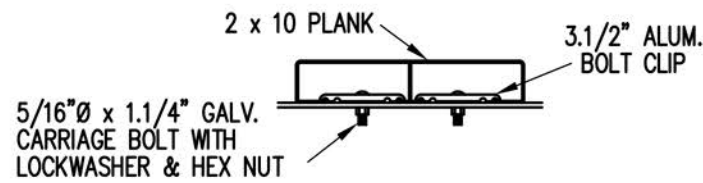


48" GALVANIZED  
CHAIN LINK FENCE  
2" MESH, #9 GA.  
(REAR, LOCATED  
INSIDE OF BLEACHER)



NOTE: ALL AISLE HANGERS - TWO PER LOCATION REQUIRED, TYPICAL

**SECTION BB**  
3/4" = 1'-0"



**BOLT CLIP DETAIL**

1.1/2" = 1'-0"



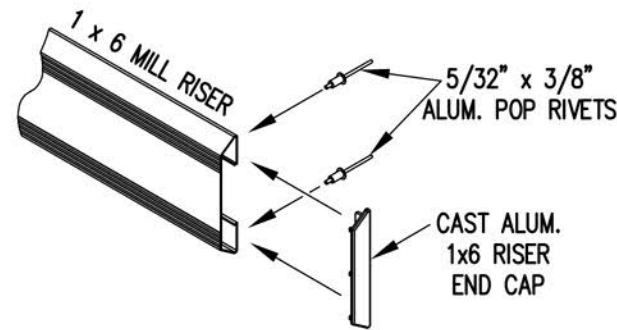
FIG.1

FIG.2

- 1) LOCATE THE CHANNEL END CAP AS SHOWN IN FIG. 1.
- 2) TAP END CAP INTO PLACE WITH RUBBER Mallet OR SOFT WOOD. FIG.2
- 3) DRILL 5/32" HOLES THROUGH THE BOTTOM FLANGE AND THE BOTTOM OUTSIDE PLANK FLANGES OF EACH PLANK. INSTALL 5/32" POP RIVETS.

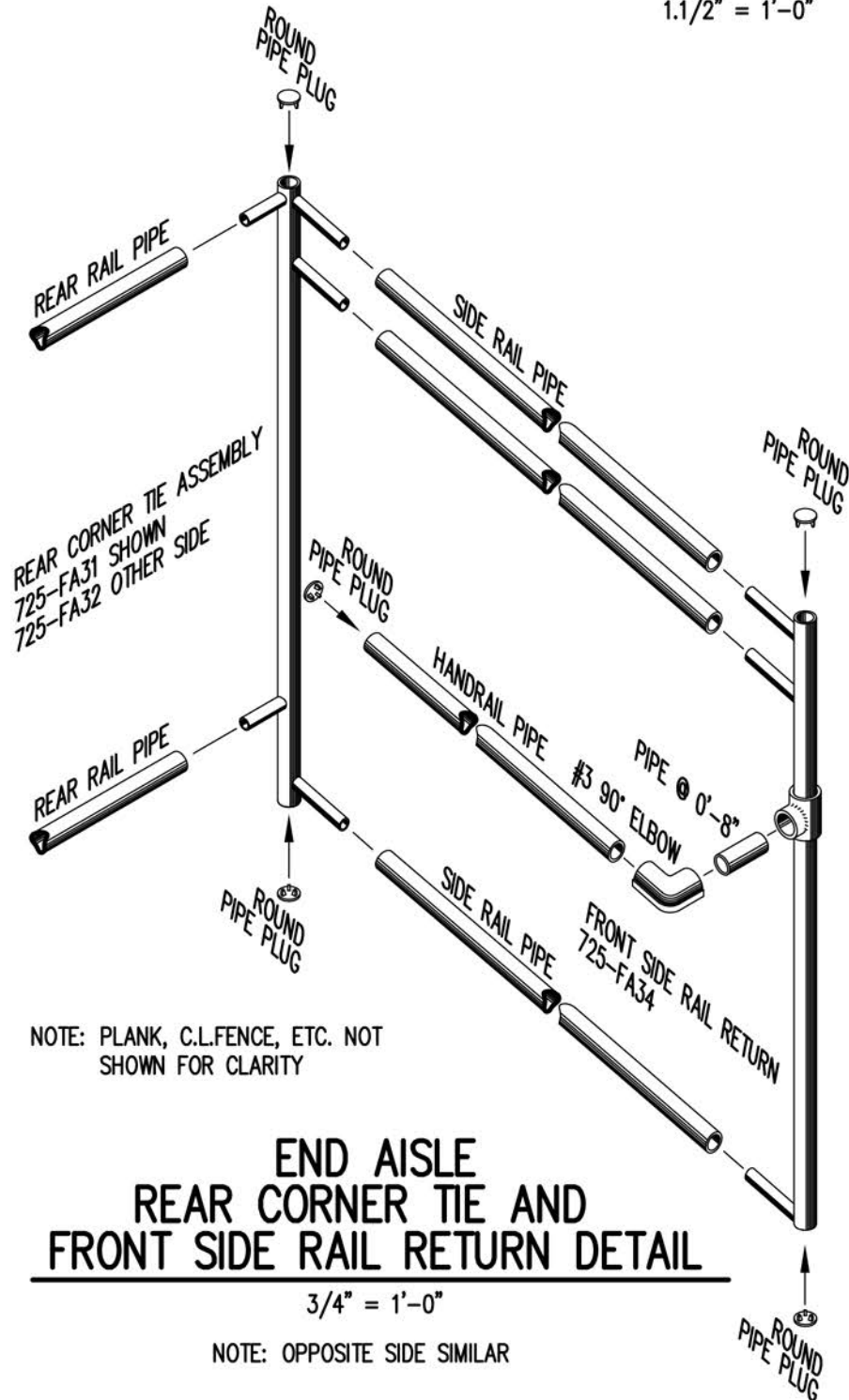
**END CAP DETAIL**

N.T.S.



**1 x 6 RISER END CAP**

N.T.S.

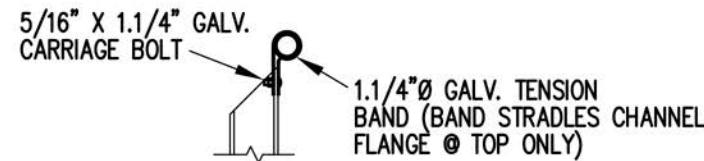


NOTE: PLANK, C.L.FENCE, ETC. NOT SHOWN FOR CLARITY

**END AISLE REAR CORNER TIE AND FRONT SIDE RAIL RETURN DETAIL**

3/4" = 1'-0"

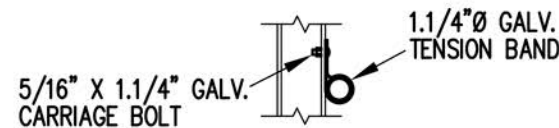
NOTE: OPPOSITE SIDE SIMILAR



**TOP RAIL**

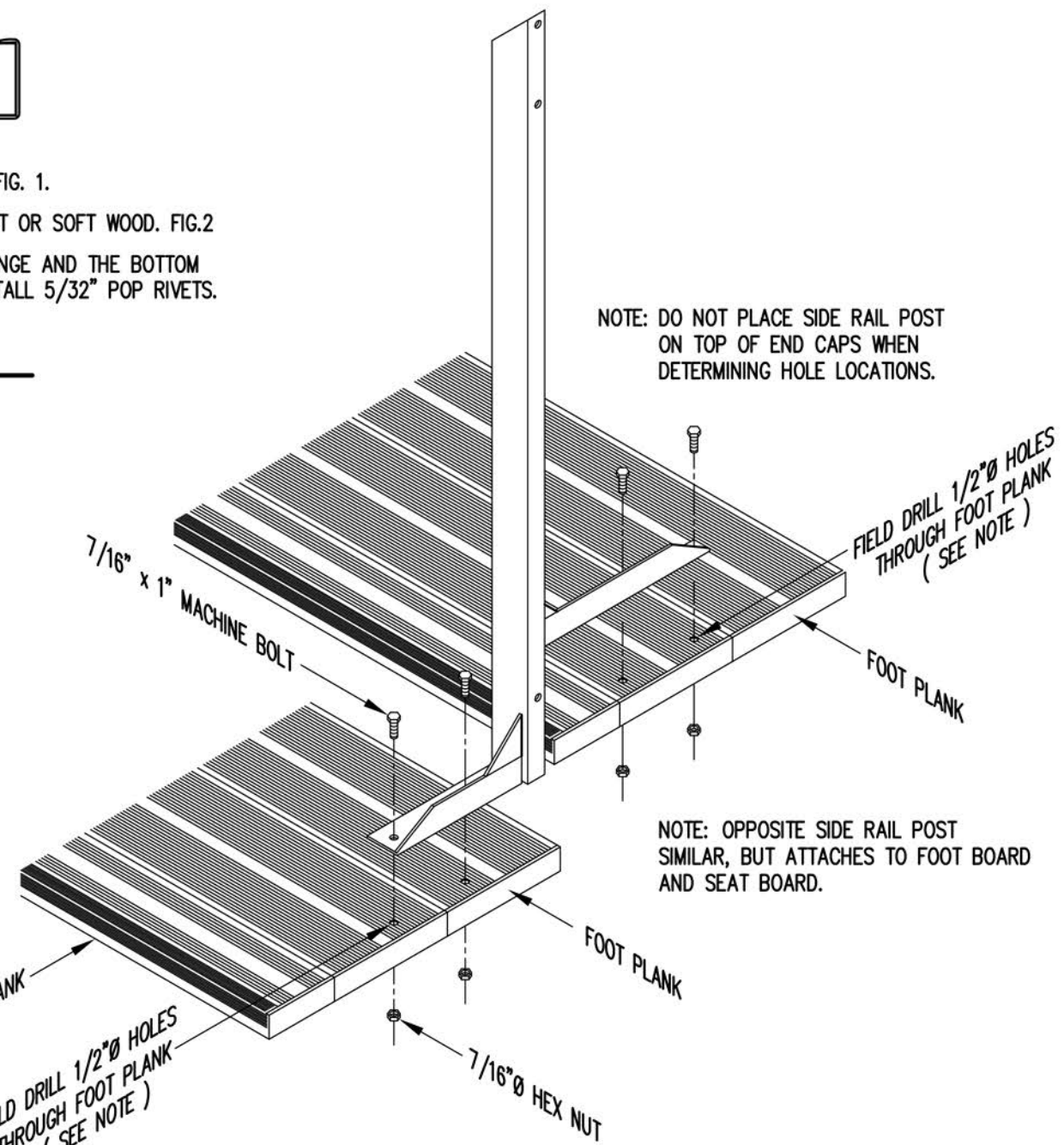


**2ND RAIL**



**BOTTOM RAIL**

**RAIL PIPE ATTACHMENT**



NOTE: DO NOT PLACE SIDE RAIL POST ON TOP OF END CAPS WHEN DETERMINING HOLE LOCATIONS.

NOTE: OPPOSITE SIDE RAIL POST SIMILAR, BUT ATTACHES TO FOOT BOARD AND SEAT BOARD.

**TYP. SIDE RAIL POST ATTACHMENT AT END AISLE**