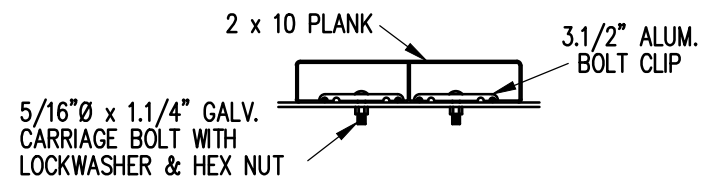


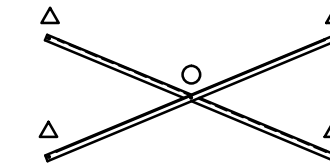
SEAT & FRAMING PLAN

1/4" = 1'-0"
 18 NET SEATS @ 18" PER SEAT



BOLT CLIP DETAIL

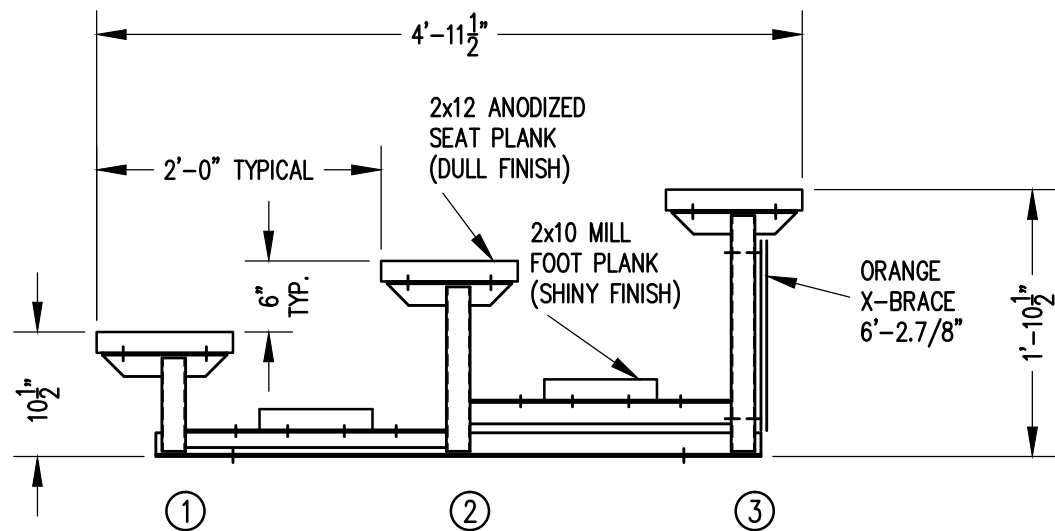
1.1/2" = 1'-0"



X-BRACE DETAIL

N.T.S.

- 7/16" X 1" GALV. MACH. BOLT
- △ 7/16" X 3" GALV. MACH. BOLT



SECTION AA

3/4" = 1'-0"

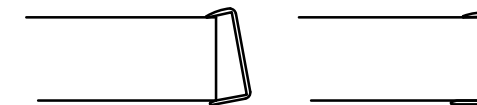


FIG.1

FIG.2

- 1) LOCATE THE CHANNEL END CAP AS SHOWN IN FIG. 1.
- 2) TAP END CAP INTO PLACE WITH RUBBER MALLET OR SOFT WOOD. FIG.2
- 3) DRILL 5/32" HOLES THROUGH THE BOTTOM FLANGE AND THE BOTTOM OUTSIDE PLANK FLANGES OF EACH PLANK. INSTALL 5/32" POP RIVETS.

END CAP DETAIL

N.T.S.

| | | | | |
|-------|--------------------------------|---------------------------------|-----|---------------|
| SCALE | AS NOTED | REVISIONS | BY | DATE |
| DATE | 02/02/09 | UPDATED TO 700 SERIES STANDARDS | GDK | 02/13 |
| DR'N | WHW | CKD | | |
| AP'VD | | | | |
| TITLE | L TSA 3-9 SEATING/FRAMING PLAN | | | NO. 864-E1046 |