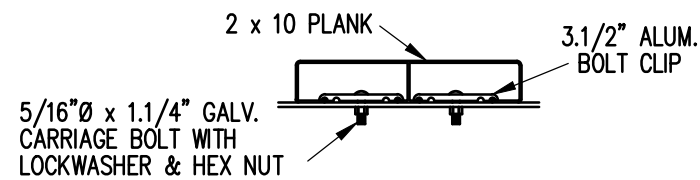


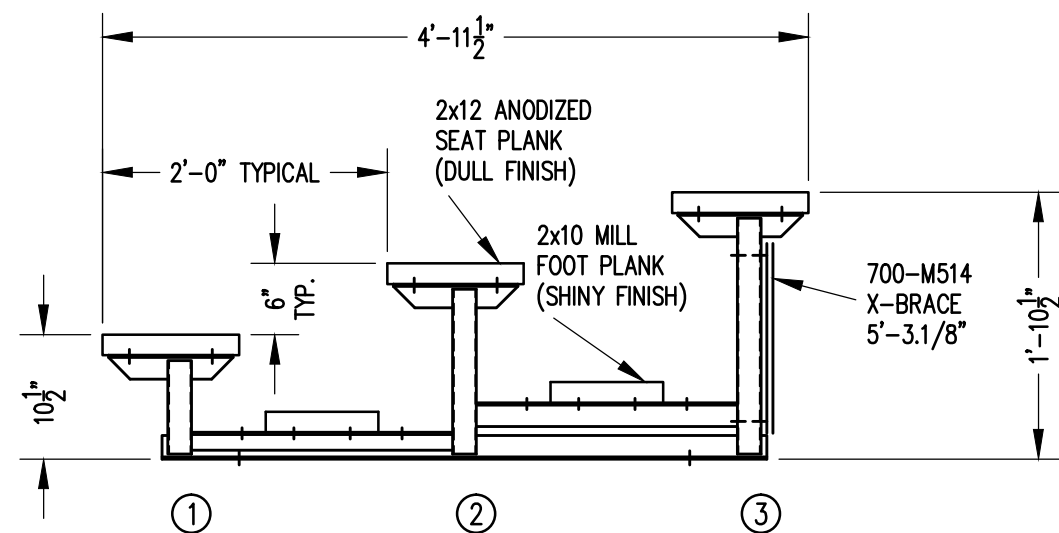
SEAT & FRAMING PLAN

1/4" = 1'-0"
15 NET SEATS @ 18" PER SEAT



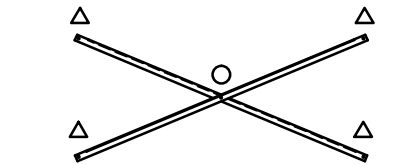
BOLT CLIP DETAIL

1.1/2" = 1'-0"



SECTION AA

3/4" = 1'-0"



X-BRACE DETAIL

N.T.S.

- 7/16" X 1" GALV. MACH. BOLT
- △ 7/16" X 3" GALV. MACH. BOLT

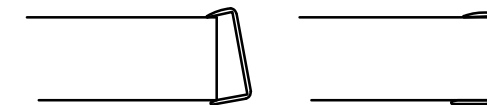


FIG.1

FIG.2

- 1) LOCATE THE CHANNEL END CAP AS SHOWN IN FIG. 1.
- 2) TAP END CAP INTO PLACE WITH RUBBER Mallet OR SOFT WOOD. FIG.2
- 3) DRILL 5/32" HOLES THROUGH THE BOTTOM FLANGE AND THE BOTTOM OUTSIDE PLANK FLANGES OF EACH PLANK. INSTALL 5/32" POP RIVETS.

END CAP DETAIL

N.T.S.

SCALE	AS NOTED	REVISIONS	BY	DATE
DATE	02/02/09	UPDATED TO 700 SERIES STANDARDS	GDK	02/13
DR'N	WHW	CKD		
AP'VD				
TITLE	L TSA 3-7.5 SEATING/FRAMING PLAN		NO.	864-E1041